

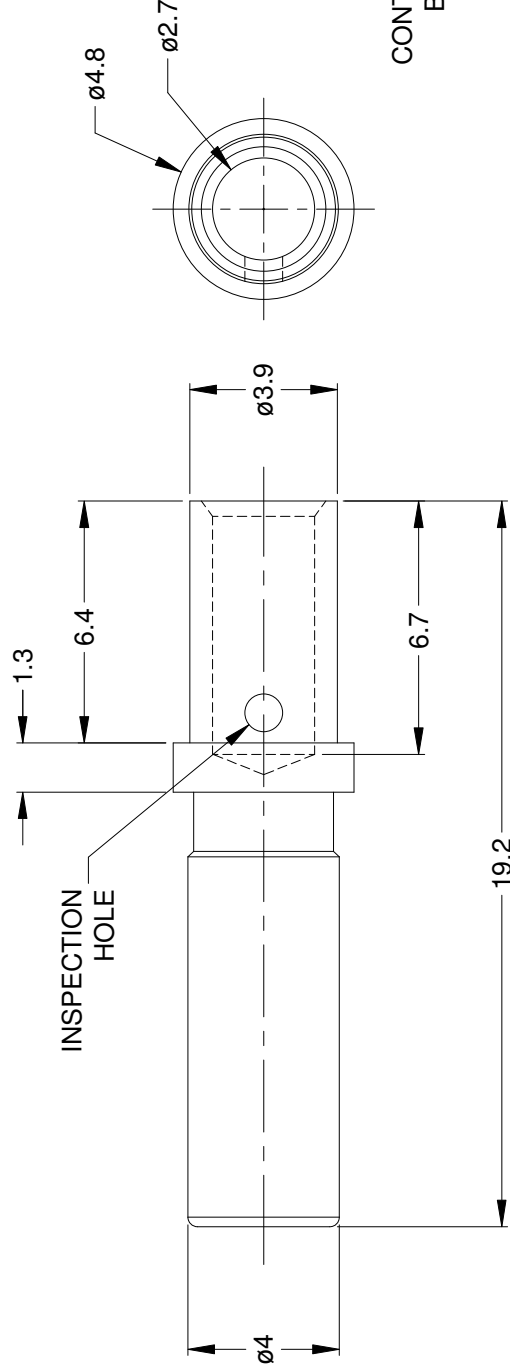


**THE DATASHEET OF
AT62-210-1231**



REVISION

REV	ECO	DESCRIPTION
A3	-	RELEASE NEW DRAWING FOR
A4	-	MATCHED DIMS TO NEW TOO

CONTACT
BODY

NOTES: UNLESS OTHERWISE SPECIFIED

1. MATERIAL: COPPER ALLOY; GOLD PLATED
2. CONTACT SIZE: 12
3. SPECIFICATIONS:
 - 3.1 CURRENT RATING: 25 AMP
 - 3.2 CONTACT MILLIVOLT DROP: 60 MILLIVOLT DROP @ 25 AMP TEST CURRENT.
 - 3.3 ROHS COMPLIANT
4. RECOMMENDED WIRE RANGE: 12 - 14 AWG
5. AVAILABLE HAND CRIMPER: CA-5D12
6. ALL DIMENSIONS ARE FOR REFERENCE USE ONLY

AT62-210-1231

PART NUMBER

DE

QUANTITY

MATERIALS LIST

UNLESS OTHERWISE SPECIFIED

1) All dimensions are in metric (mm).

2) Tolerances are as follows:

1 PL DEC ±0.30 Fractions ± 1/64

2 PL DEC ±0.15 Angles ±1°

3 PL DEC ±0.08

3) Note reference = $\triangle X$

SIGNATURES

DATE

DRAWN:

08/OCT/13

CHECKED:

ENGINEER:

APPROVAL:

CUSTOMER:

THIS DRAWING IS SUPPLIED FOR

INFORMATION ONLY. DESIGN FEATURES

OR DIMENSIONS AND PERFORMANCE DATA

SHOWN HEREON ARE THE PROPERTY OF A

TECHNICAL CORPORATION. NO RIGHTS

OF REPRODUCTION ARE IMPLIED. ALL

DIMENSIONS ARE SUBJECT TO NORMAL

MANUFACTURING VARIATIONS.

CONT:

12-14

TYPE

A C-

SCALE:

NONE

Looking for pricing, stock, or lifecycle information?

Click below to explore more details on WIN SOURCE:

- ⊖ [View AT62-210-1231 on WIN SOURCE](#)
- ⊖ [Amphenol Sine Systems Corp Information](#)

Optimize Your Supply Chain with WIN SOURCE Solutions

- ✓ Global Sourcing Solution
- ✓ Obsolete Management
- ✓ Cost Control Management
- ✓ Shortage Management
- ✓ Alternative Solution
- ✓ Excess Inventory Management