

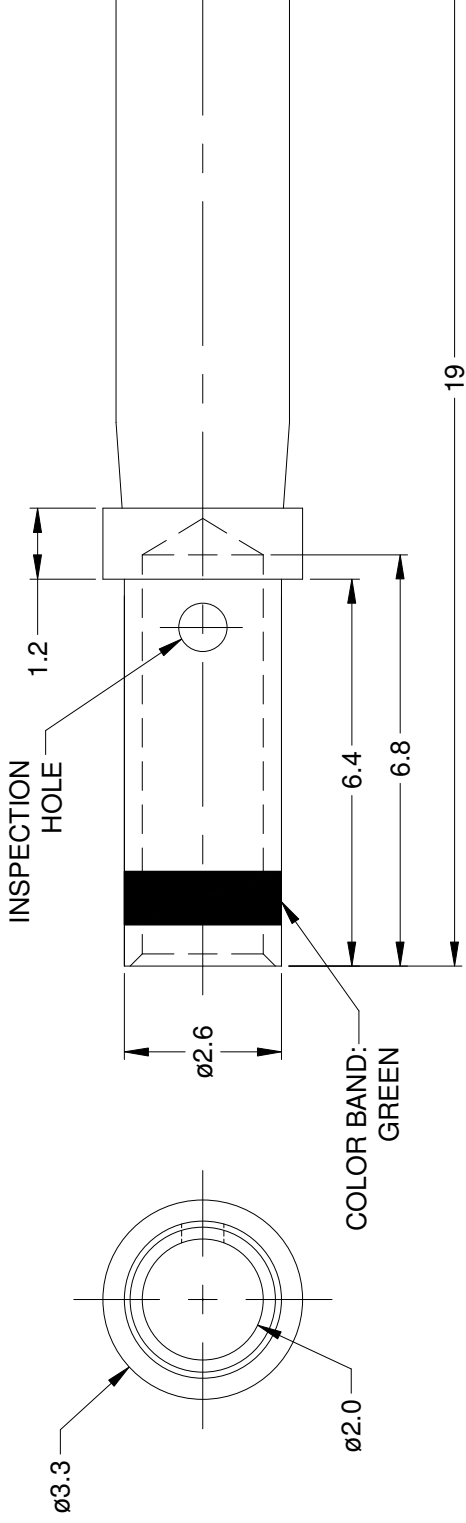


THE DATASHEET OF
AT62-209-1631



REVISION

REV	ECO	DESCRIPTION
A4	-	RELEASE NEW DWG FORM
A5	-	ADDED COLOR BAND
A6	-	MATCHED DIMS TO NEW TOOL



PART NUMBER CHART	
PLATING	PART NUMBER
GOLD	AT62-209-1631
NICKEL	AT62-209-16141

NOTES: UNLESS OTHERWISE SPECIFIED

1. MATERIAL: COPPER ALLOY
2. PLATING: SEE PART NUMBER CHART
3. CONTACT SIZE: 16
4. SPECIFICATIONS:
 - 4.1 CURRENT RATING: 13 AMPS
 - 4.2 CONTACT MILLIVOLT DROP: 60 MILLIVOLT DROP @ 13 AMP TEST CURRENT.
 - 4.3 RoHS COMPLIANT
5. RECOMMENDED WIRE RANGE: 14 AWG
6. AVAILABLE HAND CRIMPER: CA-5D12
7. ALL DIMENSIONS ARE FOR REFERENCE USE ONLY

QUANTITY	PART NUMBER	DE
SEE PART NUMBER CHART		
MATERIALS LIST		
UNLESS OTHERWISE SPECIFIED	SIGNATURES	DATE
1) All dimensions are in metric(mm).	DRAWN: JARRY	10/OCT/13
2) Tolerances are as follows:	CHECKED:	
1 PL DEC ±0.30 Fractions ±1/64	ENGINEER:	
2 PL DEC ±0.15 Angles ±1°	APPROVAL:	
3) Note reference =	CUSTOMER:	
MATERIAL SPECIFICATIONS:	THIS DRAWING IS SUPPLIED FOR INFORMATION ONLY. DESIGN FEATURES, SPECIFICATIONS AND PERFORMANCE DATA SHOWN HEREON ARE THE PROPERTY OF THE AMPHENOL CORPORATION. NO RIGHTS OR PERMISSIONS ARE GRANTED. ALL DIMENSIONS ARE SUBJECT TO NORMAL MANUFACTURING VARIATIONS.	
PROCESS SPECIFICATIONS:	SIZE TYPE	
NEXT ASSY:	A C-	
	CONT:	SCALE: NONE
	14	

Looking for pricing, stock, or lifecycle information?

Click below to explore more details on WIN SOURCE:

 [View AT62-209-1631](#) on WIN SOURCE

 [Amphenol](#) Information

Optimize Your Supply Chain with WIN SOURCE Solutions

-  Global Sourcing Solution
-  Obsolete Management
-  Cost Control Management
-  Shortage Management
-  Alternative Solution
-  Excess Inventory Management