



THE DATASHEET OF
66399-1



66399-1 ✓ ACTIVE

AMP | AMP Type III+, Circular Plastic Connectors Series 1

TE Internal #: 66399-1

Socket Contact, Tin-Lead, Size 16 Contact Size, 24 – 20 AWG, .2 – .6 mm² Wire, Crimp, Brass, Power & Signal, -55 – 90 °C [-67 – 194 °F], AMP Type III+

[View on TE.com >](#)



Connectors > Contacts > Connector Contacts



Contact Type: **Socket**

Contact Mating Area Plating Material: **Tin-Lead**

Wire Contact Termination Area Plating Material: **Tin-Lead**

Contact Retention Within Housing: **With**

Contact Size: **Size 16**

Features

Contact Features

| | |
|---|------------------|
| Contact Underplating Material | Nickel |
| Contact Orientation | Straight |
| Mating Pin Diameter | 1.57 mm[.062 in] |
| Contact Underplating Material Thickness | .76 µm[30 µin] |
| Contact Mating Area Plating Material Thickness | 2.54 µm[100 µin] |
| Wire Contact Termination Area Plating Material Finish | Bright |
| Wire Contact Termination Area Plating Thickness | 2.54 µm[100 µin] |
| Contact Mating Area Plating Material Finish | Bright |
| Contact Type | Socket |
| Contact Mating Area Plating Material | Tin-Lead |
| Wire Contact Termination Area Plating Material | Tin-Lead |
| Contact Retention Within Housing | With |
| Contact Size | Size 16 |
| Contact Base Material | Brass |



| | |
|------------------------------|------|
| Contact Current Rating (Max) | 13 A |
|------------------------------|------|

Termination Features

| | |
|------------------------------------|--------------|
| Termination Method to Wire & Cable | Crimp |
| Product Terminates To | Wire & Cable |

Mechanical Attachment

| | |
|-------------------------|------|
| Wire Insulation Support | With |
|-------------------------|------|

Dimensions

| | |
|--------------------------------------|------------------------------|
| Compatible Insulation Diameter Range | 2.03 – 2.54 mm [.08 – .1 in] |
| Wire Size | .2 – .6 mm ² |

Usage Conditions

| | |
|-----------------------------|----------------------------|
| Operating Temperature Range | -55 – 90 °C [-67 – 194 °F] |
|-----------------------------|----------------------------|

Operation/Application

| | |
|---------------------|----------------|
| Circuit Application | Power & Signal |
|---------------------|----------------|

Identification Marking

| | |
|--------------------|--------|
| Contact Color Code | Yellow |
|--------------------|--------|

Packaging Features

| | |
|--------------------|---------------------|
| Packaging Quantity | 1000 |
| Packaging Method | Carton, Loose Piece |

Product Compliance

[For compliance documentation, visit the product page on TE.com>](#)

| | |
|---|--|
| EU RoHS Directive 2011/65/EU | Not Compliant |
| EU ELV Directive 2000/53/EC | Compliant with Exemptions |
| China RoHS 2 Directive MIIT Order No 32, 2016 | Restricted Materials Above Threshold |
| EU REACH Regulation (EC) No. 1907/2006 | Current ECHA Candidate List: JAN 2025 (247) Candidate List Declared Against: JUNE 2024 (241) SVHC > Threshold: Pb (13% in Component Part) Article Safe Usage Statements: Do not eat, drink or smoke when using this product. Wash thoroughly after handling. Recycle if possible and dispose of the article by following all applicable governmental regulations relevant to your geographic location. |
| Halogen Content | Low Halogen - Br, Cl, F, I < 900 ppm per homogenous material. Also BFR/CFR/PVC Free |

Solder Process Capability

Not applicable for solder process capability

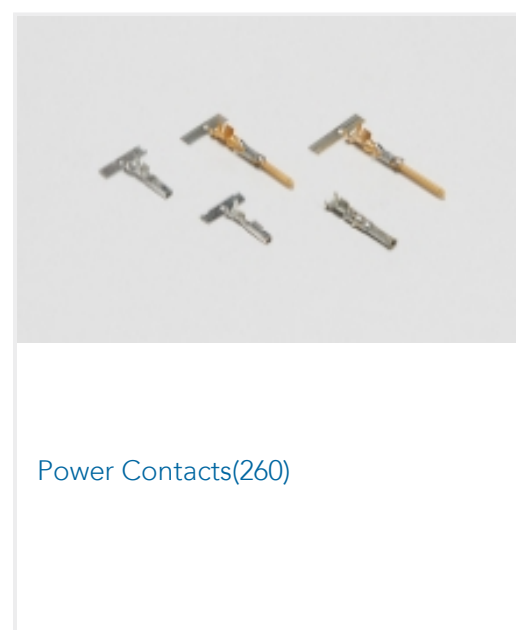
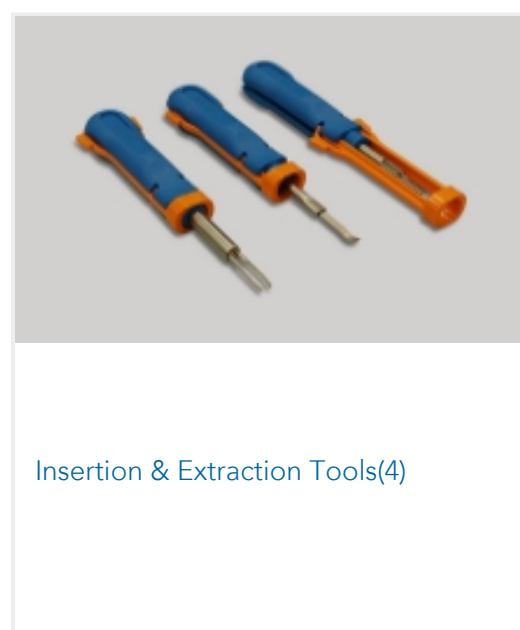
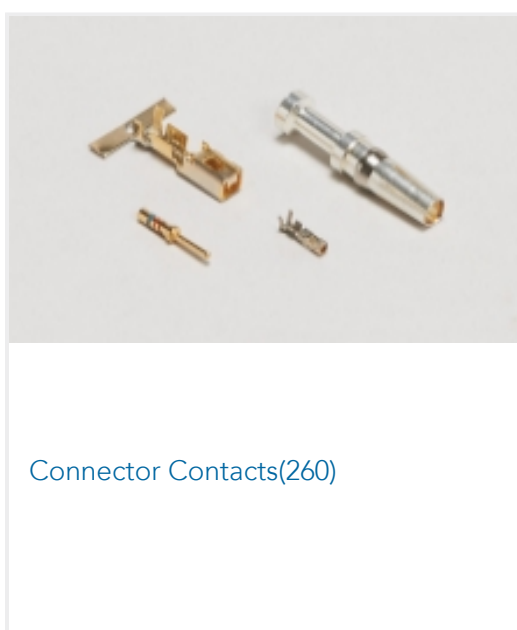
Product Compliance Disclaimer

This information is provided based on reasonable inquiry of our suppliers and represents our current actual knowledge based on the information they provided. This information is subject to change. The part numbers that TE has identified as EU RoHS compliant have a maximum concentration of 0.1% by weight in homogenous materials for lead, hexavalent chromium, mercury, PBB, PBDE, DBP, BBP, DEHP, DIBP, and 0.01% for cadmium, or qualify for an exemption to these limits as defined in the Annexes of Directive 2011/65/EU (RoHS2). Finished electrical and electronic equipment products will be CE marked as required by Directive 2011/65/EU. Components may not be CE marked. Additionally, the part numbers that TE has identified as EU ELV compliant have a maximum concentration of 0.1% by weight in homogenous materials for lead, hexavalent chromium, and mercury, and 0.01% for cadmium, or qualify for an exemption to these limits as defined in the Annexes of Directive 2000/53/EC (ELV). Regarding the REACH Regulation, the information TE provides on SVHC in articles for this part number is based on the latest European Chemicals Agency (ECHA) 'Guidance on requirements for substances in articles' posted at this URL: <https://echa.europa.eu/guidance-documents/guidance-on-reach>

Compatible Parts



Also in the Series | AMP Type III+



Also in the Series | Circular Plastic Connectors Series 1



Circular Power Connectors(211)

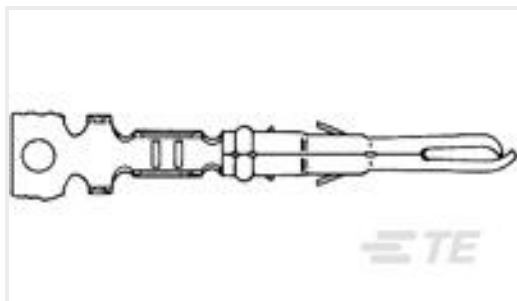
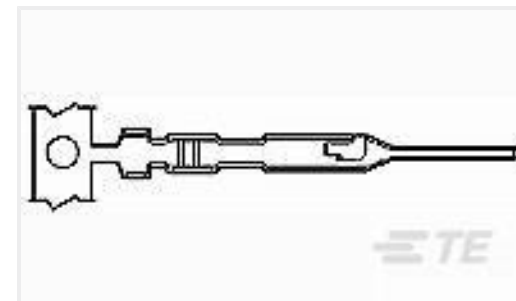
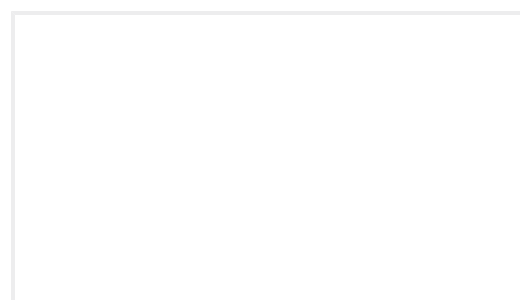


Connector Contacts(260)



Power Contacts(260)

Customers Also Bought

TE Part #66506-8
PIN CONTACT, 20 DFTE Part #2-350378-1
MR SPLT GROMET .218 DIA BLK LFTE Part #8-320619-1
TERMINAL,PIDG R 16-14 6TE Part #1-794223-0
MINI UMNL2 SCKT 20-16AWG 30AUTE Part #350967-2
MR PIN AU/PHBZTE Part #1658642-2
PLUG ASSY,9P,HDP-20,CNTE Part #89BSD-006BA-A
6 BARA 316L DIGITAL PRESSURE
SENSORTE Part #1-104505-0
MTE PIN 22-26 AWG PLTDTE Part #1-2364686-6
AVH22 FLT SS LK RNG GRN 24V16ATE Part #GA10K3MRBD1002
MBD2-MRBD 10K +/- 0.2°C 0-70°C

Documents

Product Drawings

III+ SKT,24-20,TIN-LEAD,LP

English

CAD Files

Customer View Model

ENG_CVM_CVM_66399-1_H.2d_dxf.zip

English

3D PDF



3D

Customer View Model

[ENG_CVM_CVM_66399-1_H.3d_igs.zip](#)

English

Customer View Model

[ENG_CVM_CVM_66399-1_H.3d_stp.zip](#)

English

By downloading the CAD file I accept and agree to the [Terms and Conditions](#) of use.

Product Specifications

[Application Specification](#)

English

Instruction Sheets

[Instruction Sheet \(U.S.\)](#)

Japanese

[Instruction Sheet \(U.S.\)](#)

English

Looking for pricing, stock, or lifecycle information?

Click below to explore more details on WIN SOURCE:

[View 66399-1 on WIN SOURCE](#)

[TE Connectivity Information](#)

Optimize Your Supply Chain with WIN SOURCE Solutions

- ✓ Global Sourcing Solution
- ✓ Obsolete Management
- ✓ Cost Control Management
- ✓ Shortage Management
- ✓ Alternative Solution
- ✓ Excess Inventory Management