

WIN**SOURCE**
ELECTRONICS

THE DATASHEET OF
1-66598-2





AMP | AMP Type III+, Circular Plastic Connectors Series 1

TE Internal #: 1-66598-2

Socket Contact, Tin (Sn), Size 16 Contact Size, 18 – 14 AWG, .8 – 2 mm² Wire, Crimp, Copper Nickel Alloy, Power & Signal, AMP Type III+

[View on TE.com >](#)

Connectors > Contacts > Connector Contacts



Contact Type: **Socket**

Contact Mating Area Plating Material: **Tin (Sn)**

Wire Contact Termination Area Plating Material: **Tin**

Contact Retention Within Housing: **With**

Contact Size: **Size 16**

Features

Contact Features

Contact Underplating Material	Nickel
Contact Orientation	Straight
Mating Pin Diameter	1.57 mm[.062 in]
Contact Underplating Material Thickness	.76 µm[30 µin]
Contact Mating Area Plating Material Thickness	2.54 µm[100 µin]
Wire Contact Termination Area Plating Material Finish	Bright
Wire Contact Termination Area Plating Thickness	2.54 µm[100 µin]
Contact Type	Socket
Contact Mating Area Plating Material	Tin (Sn)
Wire Contact Termination Area Plating Material	Tin
Contact Retention Within Housing	With
Contact Size	Size 16
Contact Base Material	Copper Nickel Alloy
Contact Current Rating (Max)	25 A



Termination Features

Termination Method to Wire & Cable	Crimp
Product Terminates To	Wire & Cable

Mechanical Attachment

Wire Insulation Support	With
-------------------------	------

Dimensions

Compatible Insulation Diameter Range	2.79 – 3.81 mm [.11 – .15 in]
Wire Size	.8 – 2 mm ²

Usage Conditions

Operating Temperature Range	-55 – 90 °C [-67 – 194 °F]
-----------------------------	----------------------------

Operation/Application

Circuit Application	Power & Signal
---------------------	----------------

Packaging Features

Packaging Quantity	4000
Packaging Method	Reel

Product Compliance

[For compliance documentation, visit the product page on TE.com>](#)

EU RoHS Directive 2011/65/EU	Compliant
EU ELV Directive 2000/53/EC	Compliant
China RoHS 2 Directive MIIT Order No 32, 2016	No Restricted Materials Above Threshold
EU REACH Regulation (EC) No. 1907/2006	Current ECHA Candidate List: JAN 2025 (247) Candidate List Declared Against: JUNE 2024 (241) Does not contain REACH SVHC
Halogen Content	Low Halogen - Br, Cl, F, I < 900 ppm per homogenous material. Also BFR/CFR/PVC Free
Solder Process Capability	Not applicable for solder process capability

Product Compliance Disclaimer

This information is provided based on reasonable inquiry of our suppliers and represents our current actual knowledge based on the information they provided. This information is subject to change. The part numbers that TE has identified as EU RoHS compliant have a maximum concentration of 0.1% by weight in homogenous materials for lead, hexavalent chromium, mercury, PBB, PBDE, DBP, BBP, DEHP, DIBP, and 0.01% for cadmium, or qualify for an exemption to these limits as defined in the Annexes of Directive 2011/65/EU (RoHS2). Finished electrical and electronic equipment products

will be CE marked as required by Directive 2011/65/EU. Components may not be CE marked. Additionally, the part numbers that TE has identified as EU ELV compliant have a maximum concentration of 0.1% by weight in homogenous materials for lead, hexavalent chromium, and mercury, and 0.01% for cadmium, or qualify for an exemption to these limits as defined in the Annexes of Directive 2000/53/EC (ELV). Regarding the REACH Regulation, the information TE provides on SVHC in articles for this part number is based on the latest European Chemicals Agency (ECHA) 'Guidance on requirements for substances in articles' posted at this URL: <https://echa.europa.eu/guidance-documents/guidance-on-reach>

Compatible Parts



TE Part # 1977878-1
SLD CPC PLUG ASY,11-4,STD SEX, UV RESIST



TE Part # 208718-2
CMC PLUG ASSEMBLY,SZ 14-5



TE Part # 213853-1
CPC PLUG ASSEMBLY SIZE 23-19



TE Part # 200893-2
INSERTION TOOL CONT



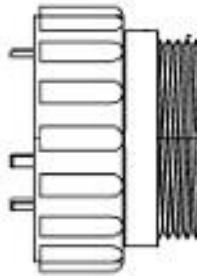
TE Part # 211770-2
CPC PLUG ASSEMBLY SIZE 23-19



TE Part # 208716-1
CMC PLUG ASSEMBLY,SZ 14



TE Part # 213849-1
CPC PLUG ASSEMBLY SIZE 17-16



TE Part # 206516-1
CPC PLUG ASSEMBLY SIZE 11-4



KIT
REPRESENTATION ONLY

TE Part # 7-2151405-7
OCEAN_2.0_SPARE_PART_KIT-090F155O



TE Part # 796271-1
SLD CPC PLUG ASSY,17-14,REV SX



TE Part # 796274-1
SLD CPC PLUG ASSY,17-16,STD SX



TE Part # 796188-1
SLD CPC PLUG ASSY,23-24,STD SX



TE Part # 796274-2
SLD CPC PLUG ASSY,17-16,STD SX



TE Part # 91521-1
CCII TYPE III+ PIN SKT 18-14 ASSY



TE Part # 2151405-2
OCEAN_2.0_Applicator-S-090F155O-RSA



TE Part # 796288-1
PLUG.ASSY,23-37STD SEX THRD AD RSA



TE Part # 208488-1
CMC PLUG ASSEMBLY, SZ 22



TE Part # 208457-3
CMC PLUG ASSEMBLY, SZ 28-24

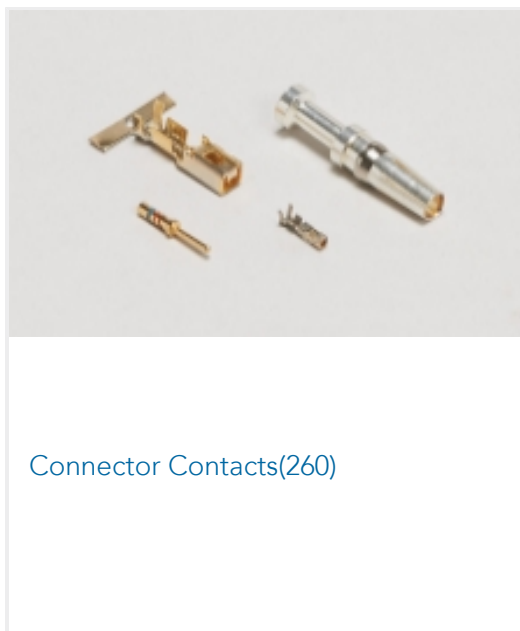


TE Part # 208714-1
CMC PLUG ASSEMBLY, SZ 14-7

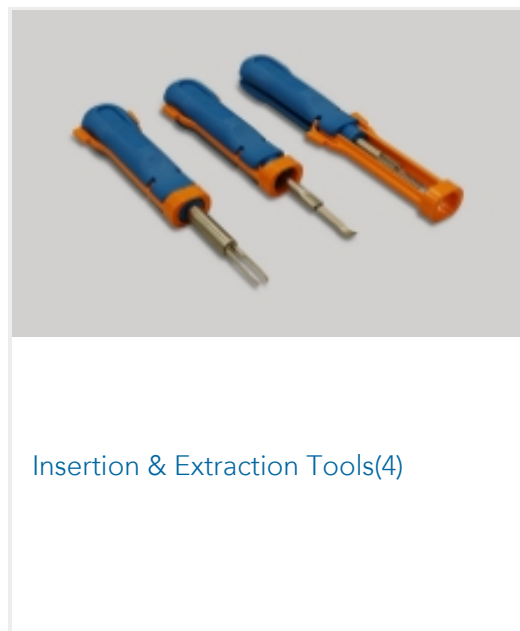


TE Part # 213851-1
CPC PLUG ASSEMBLY SIZE 23-24

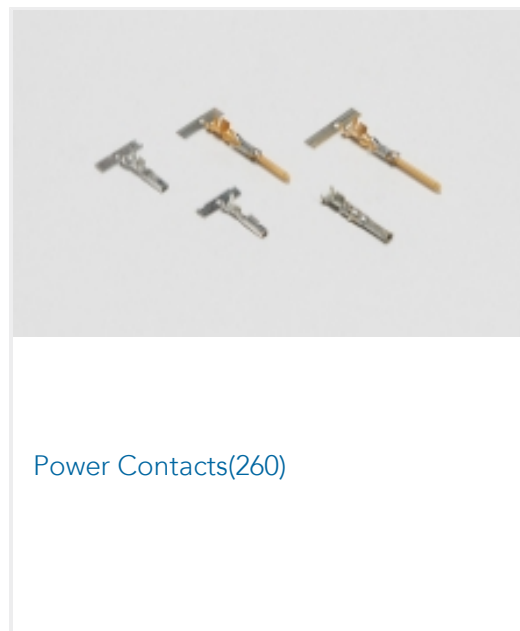
Also in the Series | AMP Type III+



Connector Contacts(260)

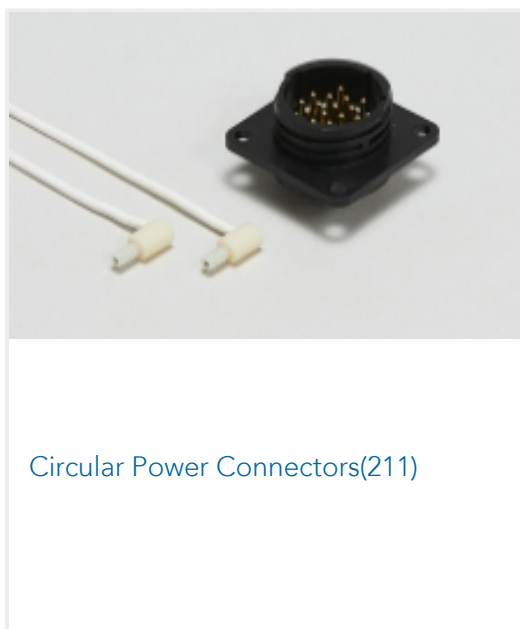


Insertion & Extraction Tools(4)

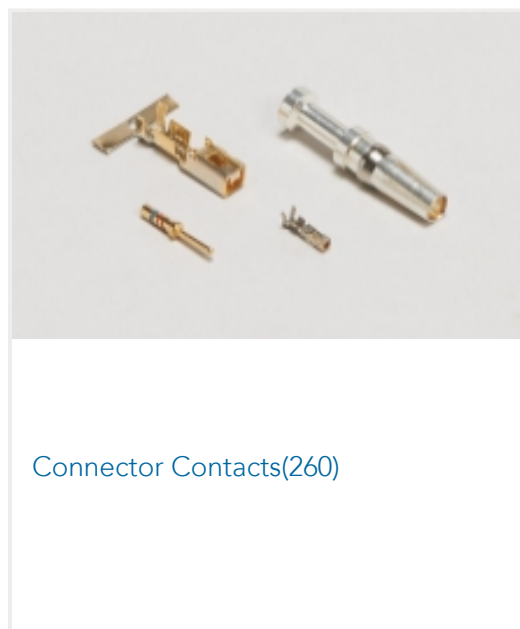


Power Contacts(260)

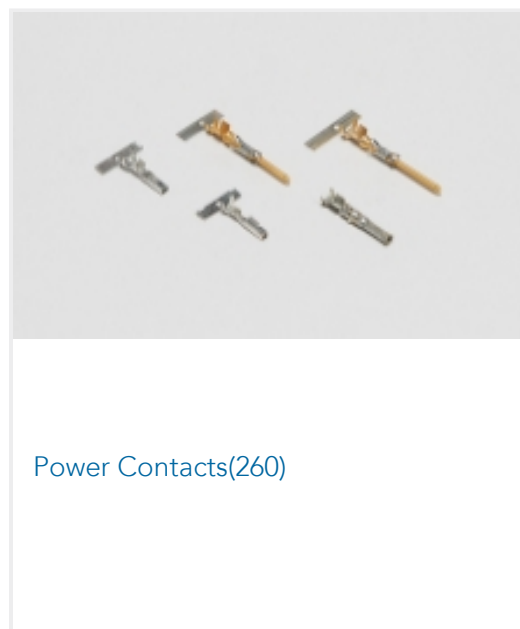
Also in the Series | Circular Plastic Connectors Series 1



Circular Power Connectors(211)



Connector Contacts(260)



Power Contacts(260)

Customers Also Bought



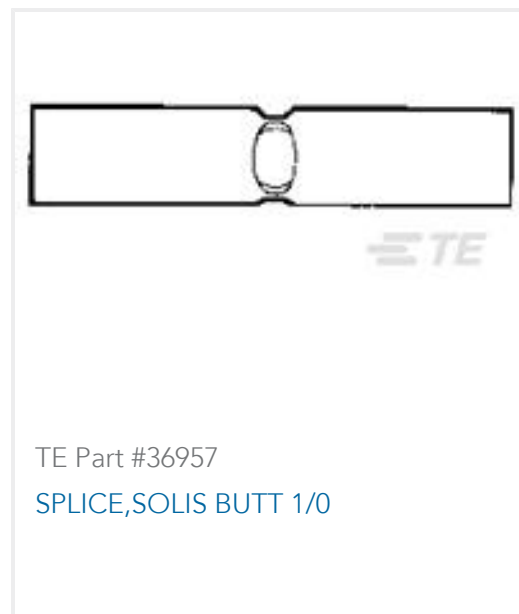
TE Part #1-66597-0
III+ PIN, 18-14, 30AU/FL, STRIP



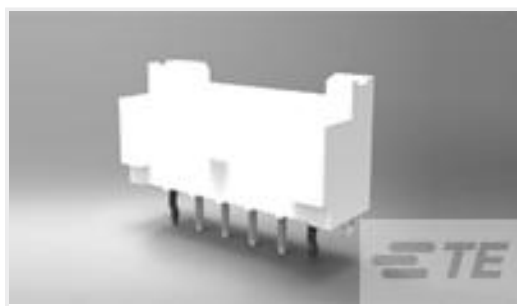
TE Part #2-66358-1
III+SKT, 18-14, TIN STRIP



TE Part #1744418-3
3 POS EP 2.5 HDR, GLOW WIRE



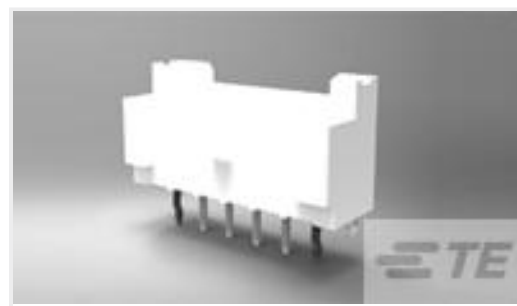
TE Part #36957
SPLICE, SOLIS BUTT 1/0



TE Part #1744418-2
2 POS EP 2.5 HDR, GLOW WIRE



TE Part #9-1415053-1
SR4M4018



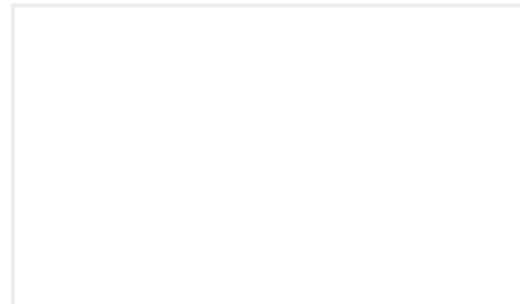
TE Part #1744418-4
4 POS EP 2.5 HDR, GLOW WIRE



TE Part #1-1393771-6
JWD-171-24=REED RELAYS



TE Part #63316-2
187 FASTON FLAG REC 18-14 AWG
TPBR



TE Part #7218310001
RPS-2.5K-18-12/2.0-S1-9

Documents

CAD Files

Customer View Model

[ENG_CVM_CVM_1-66598-2_AG.2d_dxf.zip](#)

English

3D PDF

3D

Customer View Model

[ENG_CVM_CVM_1-66598-2_AG.3d_igs.zip](#)

English

Customer View Model

[ENG_CVM_CVM_1-66598-2_AG.3d_stp.zip](#)

English

By downloading the CAD file I accept and agree to the [Terms and Conditions](#) of use.

Datasheets & Catalog Pages

[AMP Circular Connectors for Commercial Signal & Power Applications](#)

English

Signal Contacts

English

Product Specifications

[Application Specification](#)

English

Looking for pricing, stock, or lifecycle information?

Click below to explore more details on WIN SOURCE:

[View 1-66598-2 on WIN SOURCE](#)

[TE Connectivity Information](#)

Optimize Your Supply Chain with WIN SOURCE Solutions

- ✓ Global Sourcing Solution
- ✓ Obsolete Management
- ✓ Cost Control Management
- ✓ Shortage Management
- ✓ Alternative Solution
- ✓ Excess Inventory Management