



**THE DATASHEET OF**  
**193990-2**





AMP

TE Internal #: 193990-2

Socket Contact, Silver (Ag), 600 VAC, 600 VDC, Retention Clip  
 Contact Retention, Size 8 Contact Size, Discrete Wire, 8 AWG, 8 mm<sup>2</sup> Wire, Crimp

[View on TE.com >](#)

Connectors > Contacts > Connector Contacts



Contact Type: **Socket**

Contact Mating Area Plating Material: **Silver (Ag)**

Wire Contact Termination Area Plating Material: **Silver**

Operating Voltage: **600 VDC**

**Features**

**Product Type Features**

Discrete Wire Type	Solid or Stranded
Sealable	No

**Configuration Features**

Compatible With Wire & Cable Type	Discrete Wire
-----------------------------------	---------------

**Electrical Characteristics**

Operating Voltage	600 VDC
-------------------	---------

**Contact Features**

Contact Underplating Material	Nickel
Contact Orientation	Straight
Mating Pin Diameter	3.63 mm[.143 in]
Contact Underplating Material Thickness	1.02 µm[40 µin]
Contact Mating Area Plating Material Thickness	1.016 µm[40 µin]
Wire Contact Termination Area Plating Material Finish	Semi-Bright
Contact Length	30.5 mm[1.2 in]



Wire Contact Termination Area Plating Thickness	5.08 μm[200 μin]
---	------------------

Barrel Type	Closed
-------------	--------

Contact Mating Area Plating Material Finish	Bright
---	--------

Contact Type	Socket
--------------	--------

Contact Mating Area Plating Material	Silver (Ag)
--------------------------------------	-------------

Wire Contact Termination Area Plating Material	Silver
--	--------

Contact Retention Within Housing	With
----------------------------------	------

Contact Size	Size 8
--------------	--------

Contact Base Material	Copper Alloy
-----------------------	--------------

Contact Current Rating (Max)	60 A
------------------------------	------

### Termination Features

Termination Method to Wire & Cable	Crimp
------------------------------------	-------

Product Terminates To	Wire & Cable
-----------------------	--------------

### Mechanical Attachment

Wire Insulation Support	Without
-------------------------	---------

Contact Retention Type Within Housing	Retention Clip
---------------------------------------	----------------

### Dimensions

Wire Size	8 mm <sup>2</sup>
-----------	-------------------

### Usage Conditions

Operating Temperature Range	-55 – 150 °C[-67 – 302 °F]
-----------------------------	----------------------------

### Operation/Application

Circuit Application	Power
---------------------	-------

### Industry Standards

Compatible With Agency/Standards Products	UL
---	----

### Packaging Features

Packaging Quantity	50
--------------------	----

Packaging Method	Bag
------------------	-----

### Product Compliance

[For compliance documentation, visit the product page on TE.com>](#)

EU RoHS Directive 2011/65/EU	Compliant
------------------------------	-----------

EU ELV Directive 2000/53/EC	Compliant
-----------------------------	-----------

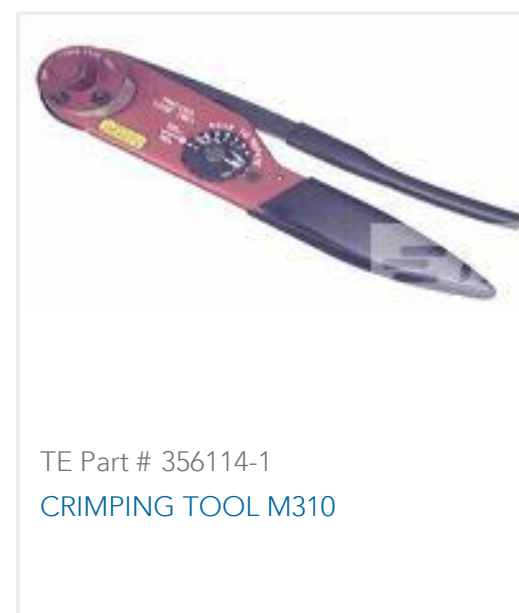


China RoHS 2 Directive MIIT Order No 32, 2016	No Restricted Materials Above Threshold
EU REACH Regulation (EC) No. 1907/2006	Current ECHA Candidate List: JAN 2025 (247) Candidate List Declared Against: JUNE 2024 (241) Does not contain REACH SVHC
Halogen Content	Low Halogen - Br, Cl, F, I < 900 ppm per homogenous material. Also BFR/CFR/PVC Free
Solder Process Capability	Not applicable for solder process capability

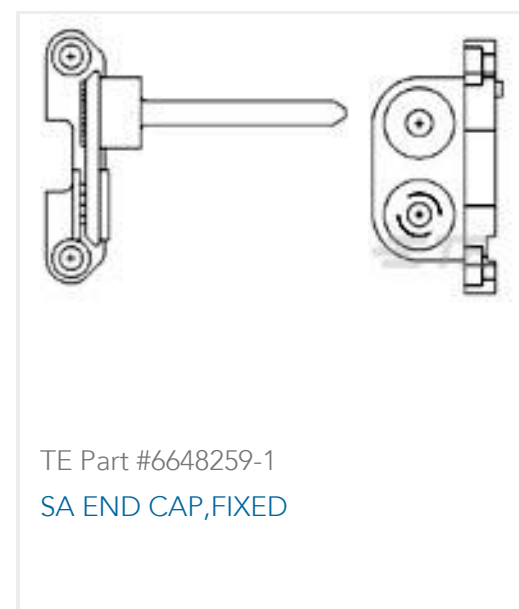
Product Compliance Disclaimer

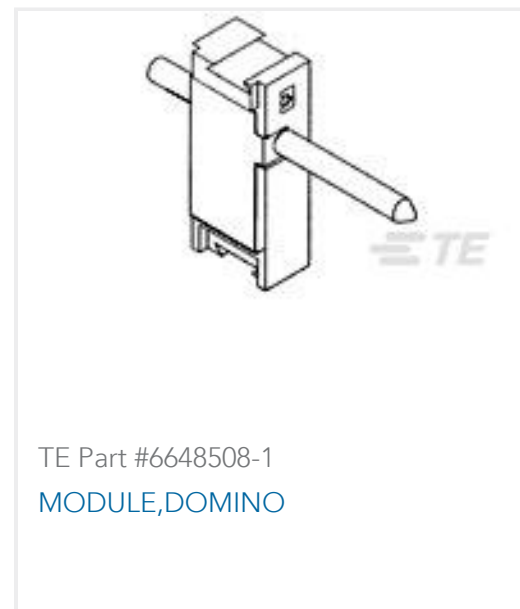
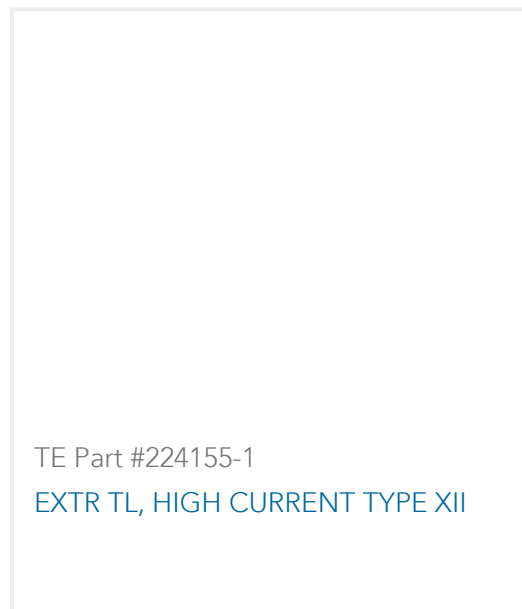
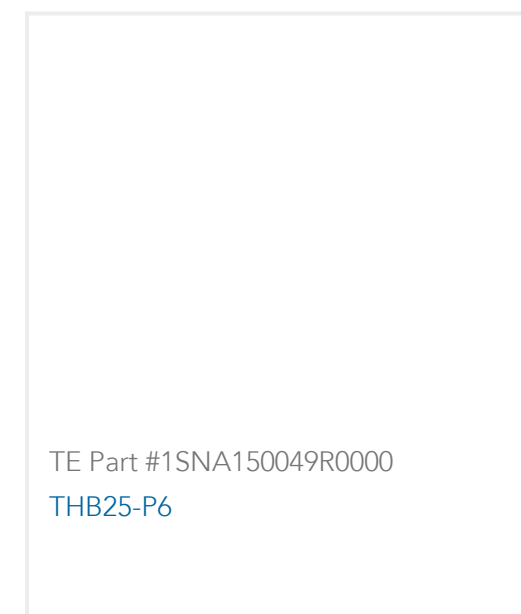
This information is provided based on reasonable inquiry of our suppliers and represents our current actual knowledge based on the information they provided. This information is subject to change. The part numbers that TE has identified as EU RoHS compliant have a maximum concentration of 0.1% by weight in homogenous materials for lead, hexavalent chromium, mercury, PBB, PBDE, DBP, BBP, DEHP, DIBP, and 0.01% for cadmium, or qualify for an exemption to these limits as defined in the Annexes of Directive 2011/65/EU (RoHS2). Finished electrical and electronic equipment products will be CE marked as required by Directive 2011/65/EU. Components may not be CE marked. Additionally, the part numbers that TE has identified as EU ELV compliant have a maximum concentration of 0.1% by weight in homogenous materials for lead, hexavalent chromium, and mercury, and 0.01% for cadmium, or qualify for an exemption to these limits as defined in the Annexes of Directive 2000/53/EC (ELV). Regarding the REACH Regulation, the information TE provides on SVHC in articles for this part number is based on the latest European Chemicals Agency (ECHA) 'Guidance on requirements for substances in articles' posted at this URL: <https://echa.europa.eu/guidance-documents/guidance-on-reach>

### Compatible Parts



### Customers Also Bought





## Documents

### Product Drawings

SKT ASSY,TYPE XII, #8 AWG

English

### CAD Files

Customer View Model

[ENG\\_CVM\\_CVM\\_193990-2\\_B.3d\\_igs.zip](#)

English

Customer View Model

[ENG\\_CVM\\_CVM\\_193990-2\\_B.3d\\_stp.zip](#)

English

Customer View Model

[ENG\\_CVM\\_CVM\\_193990-2\\_B.2d\\_dxf.zip](#)

English

3D PDF

3D

3D PDF

English

Customer View Model

[ENG\\_CVM\\_193990-2\\_D.2d\\_dxf.zip](#)

English

Customer View Model

[ENG\\_CVM\\_193990-2\\_D.3d\\_igs.zip](#)

English

Customer View Model

[ENG\\_CVM\\_193990-2\\_D.3d\\_stp.zip](#)

English

193990-2

Socket Contact, Silver (Ag), 600 VAC, 600 VDC, Retention Clip Contact Retention,  
Size 8 Contact Size, Discrete Wire, 8 AWG, 8 mm<sup>2</sup> Wire, Crimp



By downloading the CAD file I accept and agree to the [Terms and Conditions](#) of use.

## Datasheets & Catalog Pages

[M\\_SERIES\\_PIN\\_AND\\_SOCKET\\_CONNECTORS](#)

English

Looking for pricing, stock, or lifecycle information?

Click below to explore more details on WIN SOURCE:

[View 193990-2 on WIN SOURCE](#)

[TE Connectivity Information](#)

### Optimize Your Supply Chain with WIN SOURCE Solutions

- ✓ Global Sourcing Solution
- ✓ Obsolete Management
- ✓ Cost Control Management
- ✓ Shortage Management
- ✓ Alternative Solution
- ✓ Excess Inventory Management