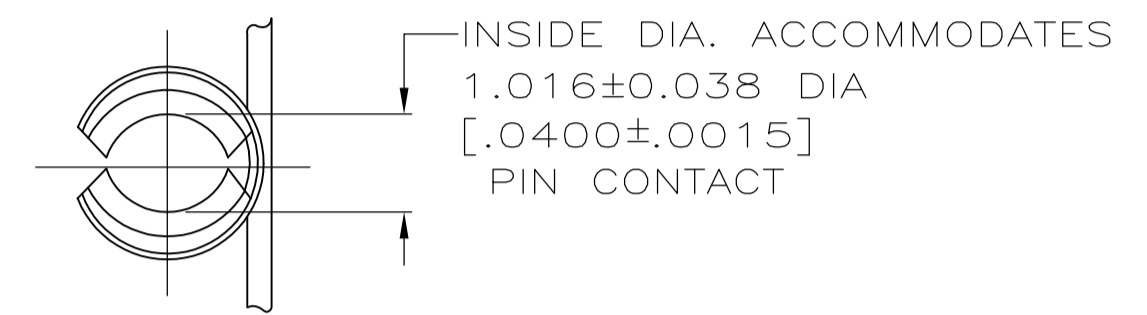
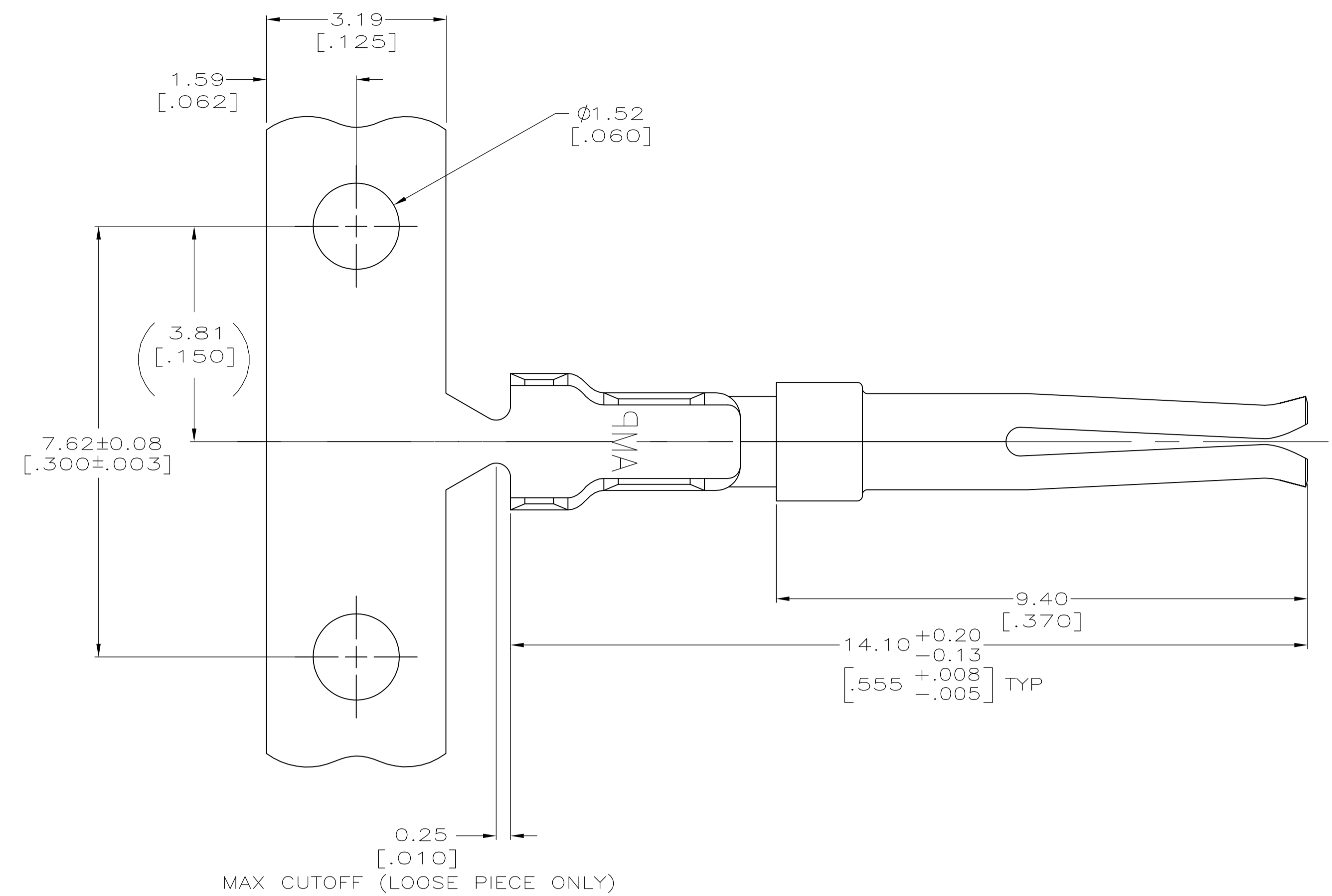


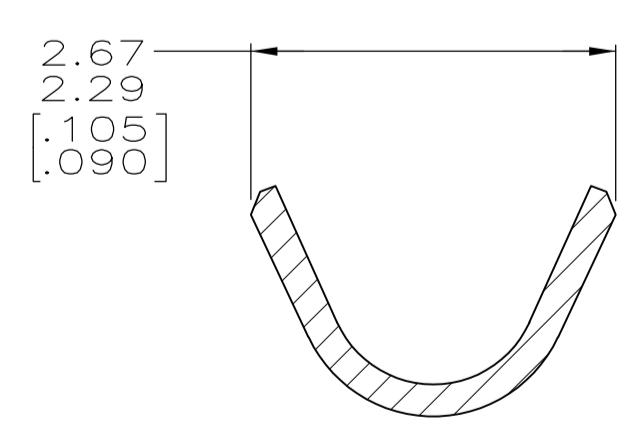
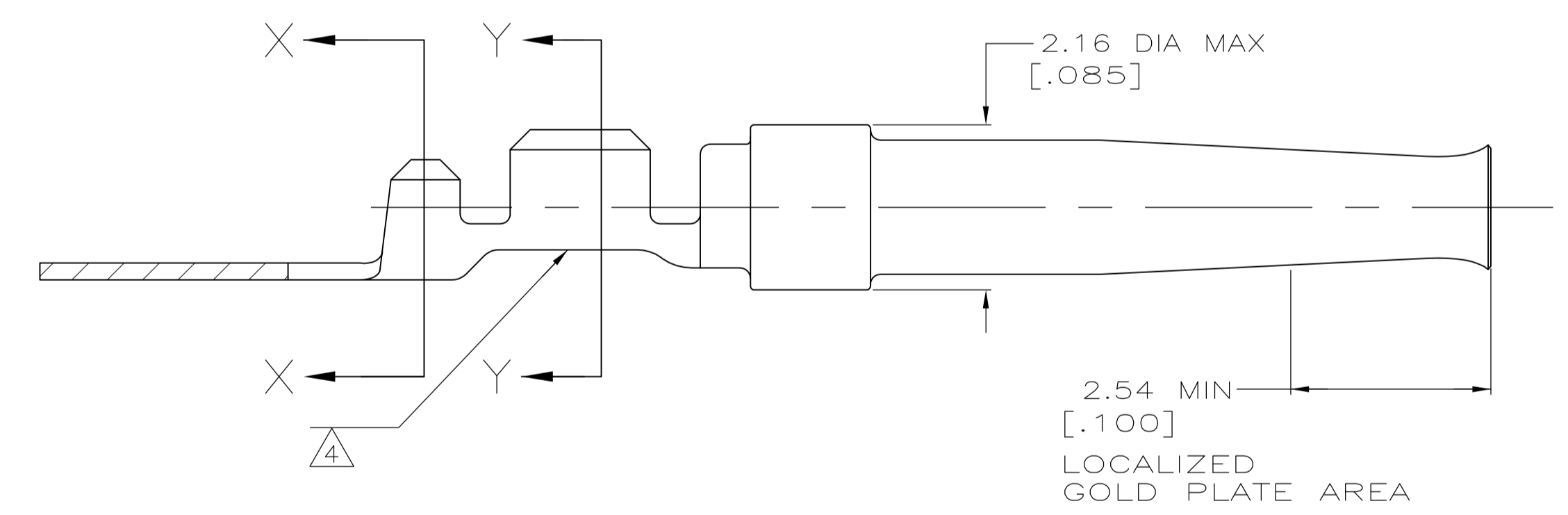


THE DATASHEET OF
1658543-2

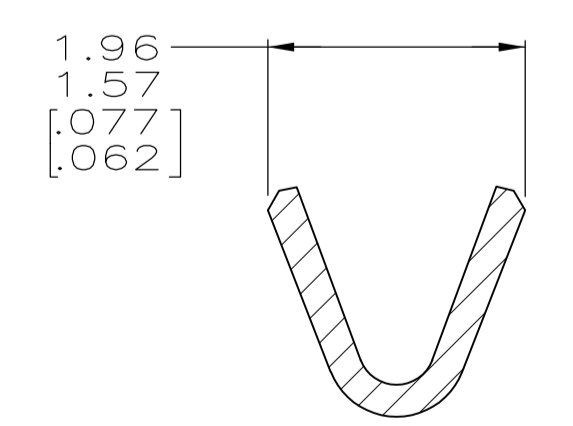




- 1. FOR MINI-APPLICATOR CRIMPING.
- 2. WIRE RANGE IS 22-26 AWG AND INSULATION RANGE IS 1.02/1.27 [.040/.050].
- 3. PLATED WITH 0.76μm [.000030] GOLD ON INSIDE OF LOCALIZED GOLD PLATE AREA, 2.54μm [.000100] TIN ON CRIMP BARRELS, ALL OVER 1.27μm [.000050] NICKEL UNDERPLATE.
-OR-
GOLD FLASH OVER PALLADIUM-NICKEL 0.76μm [.000030] TOTAL ON INSIDE OF LOCALIZED GOLD PLATE AREA, 2.54μm [.000100] TIN ON CRIMP BARRELS, ALL OVER 1.27μm [.000050] NICKEL UNDERPLATE.
- 4. COLOR CODE YELLOW IN THIS AREA INDICATES 22-26 AWG WIRE RANGE. ONLY LOOSE PIECE PART NUMBERS ARE COLOR CODED.
- 5. TIN PLATING MAY NOT APPEAR ON CARRIER STRIP.
- 6. GOLD FLASH ON INSIDE OF LOCALIZED PLATE AREA, 2.54μm [.000100] TIN PLATED ON CRIMP BARRELS, ALL OVER 1.27μm [.000050] NICKEL UNDERPLATE.



SECTION X-X
INSULATION BARREL
SCALE 20:1



SECTION Y-Y
WIRE BARREL
SCALE 20:1

STANDARD	6	STRIP	1	1658543-3
STANDARD	3	STRIP	1	1658543-2
STANDARD	3	LOOSE PIECE		1658543-1
PACKAGING TYPE	FINISH	TYPE	PART NUMBER	

THIS DRAWING IS A CONTROLLED DOCUMENT.		DIN	11-17-04	Tyco Electronics Corporation Harrisburg, PA 17105-3608
		L. VARELA - DOCKS	11-17-04	
DIMENSIONS: INCHES		CHK	11-17-04	Tyco Electronics NAME: M. WALMSLEY PRODUCT SPEC: 108-40005 APPLICATION SPEC: 114-10000
TOLERANCES UNLESS OTHERWISE SPECIFIED:		APVD	11-17-04	
0. PLC ± -		SIZE		
1. PLC ± -		CAGE CODE		
2. PLC ± 0.13 [.005]		DRAWING NO		RESTRICTED TO
3. PLC ± -		A1 00779		1658543
4. PLC ± -		WEIGHT		
ANGLES ± °		CUSTOMER DRAWING		
MATERIAL PHOS BRONZE		FINISH SEE TABLE		SCALE 15:1 SHEET 1 OF 1 REV D

Looking for pricing, stock, or lifecycle information?

Click below to explore more details on WIN SOURCE:

 [View 1658543-2 on WIN SOURCE](#)

 [TE Connectivity](#) Information

Optimize Your Supply Chain with WIN SOURCE Solutions

-  Global Sourcing Solution
-  Obsolete Management
-  Cost Control Management
-  Shortage Management
-  Alternative Solution
-  Excess Inventory Management