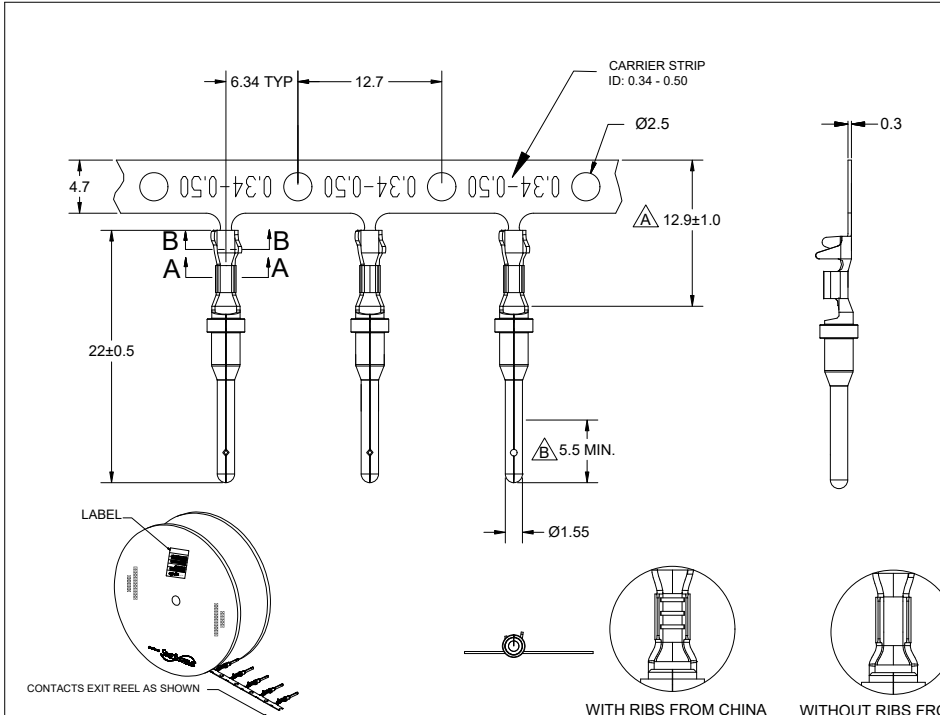




**THE DATASHEET OF**  
**AT60-16-0822**



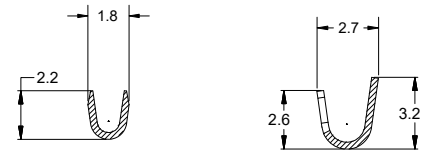
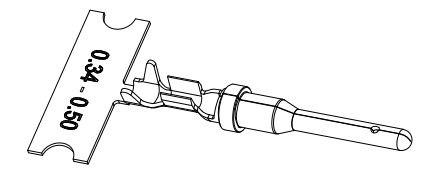


REVISIONS					
REV	ECO	DESCRIPTION	DATE	BY	APPR
A1	-	RELEASE	30MAY2017	JAH	
A2	C12065	UPDATE PLATING	14SEP24	SULLEN	
A3	-	MANUFACTURER NOTE	17JUL245	CJF	

- NOTES: UNLESS OTHERWISE SPECIFIED.  
 1. MATERIAL: COPPER ALLOY  
 2. PLATING: SEE PART NUMBER CHART  
 3. CONTACT SIZE: 16  
 4. SPECIFICATIONS:  
 4.1 CURRENT RATING: 13 AMPS  
 4.2 CONTACT MILLIVOLT DROP: 100 MILLIVOLT DROP AT 13 AMP TEST CURRENT.  
 4.3 RoHS COMPLIANT.  
 5. RECOMMENDED WIRE RANGE: 20-22 AWG (0.5 - 0.35 mm<sup>2</sup>)  
 RECOMMENDED INSUL O.D.: 1.31-1.50mm (0.051 - 0.059INCH)  
 6. PACKAGE: 4000 PCS/REEL  
 7. ALL DIMENSIONS ARE FOR REFERENCE USE ONLY

PART NUMBER CHART		
PLATING	PART NUMBER	PLATING DESCRIPTION
NICKEL	AT60-16-0822	SELECTIVE TIN OVER NICKEL OVERALL IN $\Delta$ ZONE
GOLD	AT60-16-0844	SELECTIVE GOLD FLASH OVER NICKEL OVERALL IN $\Delta$ ZONE OR ENTIRE CONTACT
TIN	AT60-16-0877	TIN OVER NICKEL OVERALL

SEE PART NUMBER CHART		DESCRIPTION		ITEM
QUANTITY	PART NUMBER	MATERIALS LIST		
UNLESS OTHERWISE SPECIFIED:		SIGNATURES DATE		
1) All dimensions are in metric (mm).		DRAWN: FORTSON/CHRIS 30JAN2024		
2) Tolerances are as follows:		CHECKED:		
1. PL DEC 93.20		ENGINEER:		
2. PL DEC 93.10		APPROVAL:		
3. PL DEC 95.05		CUSTOMER:		
MATERIAL SPECIFICATIONS:		THIS DRAWING IS SUPPLIED FOR INFORMATION ONLY. DESIGN FEATURES, SPECIFICATIONS AND PERFORMANCE DATA SHOWN HEREON ARE THE PROPERTY OF THE AMPHENOL CORPORATION. NO RIGHTS OF REPRODUCTION ARE IMPLIED. ALL DIMENSIONS ARE SUBJECT TO NORMAL MANUFACTURING VARIATIONS.		
PROCESS SPECIFICATIONS:		SIZE: B C- DWG NO: AT60-16-08** REVISION: A3		
NEXT ASSY:		SCALE: NONE SHEET 1 OF 1		



TITLE: STAMPED CONTACT PIN, SIZE 16, 20-22 AWG  
 DWG NO: AT60-16-08\*\*  
 REV: A3  
 SHEET 1 OF 1

## Looking for pricing, stock, or lifecycle information?

Click below to explore more details on WIN SOURCE:

- ⊖ [View AT60-16-0822 on WIN SOURCE](#)
- ⊖ [Amphenol Sine Systems Corp Information](#)

## Optimize Your Supply Chain with WIN SOURCE Solutions

- ✓ Global Sourcing Solution
- ✓ Obsolete Management
- ✓ Cost Control Management
- ✓ Shortage Management
- ✓ Alternative Solution
- ✓ Excess Inventory Management