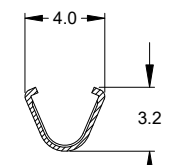
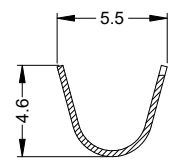
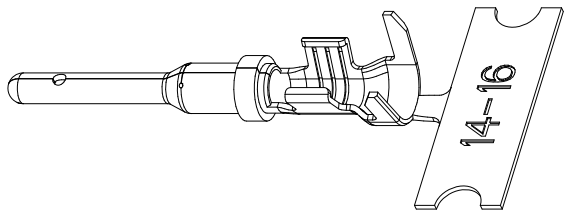
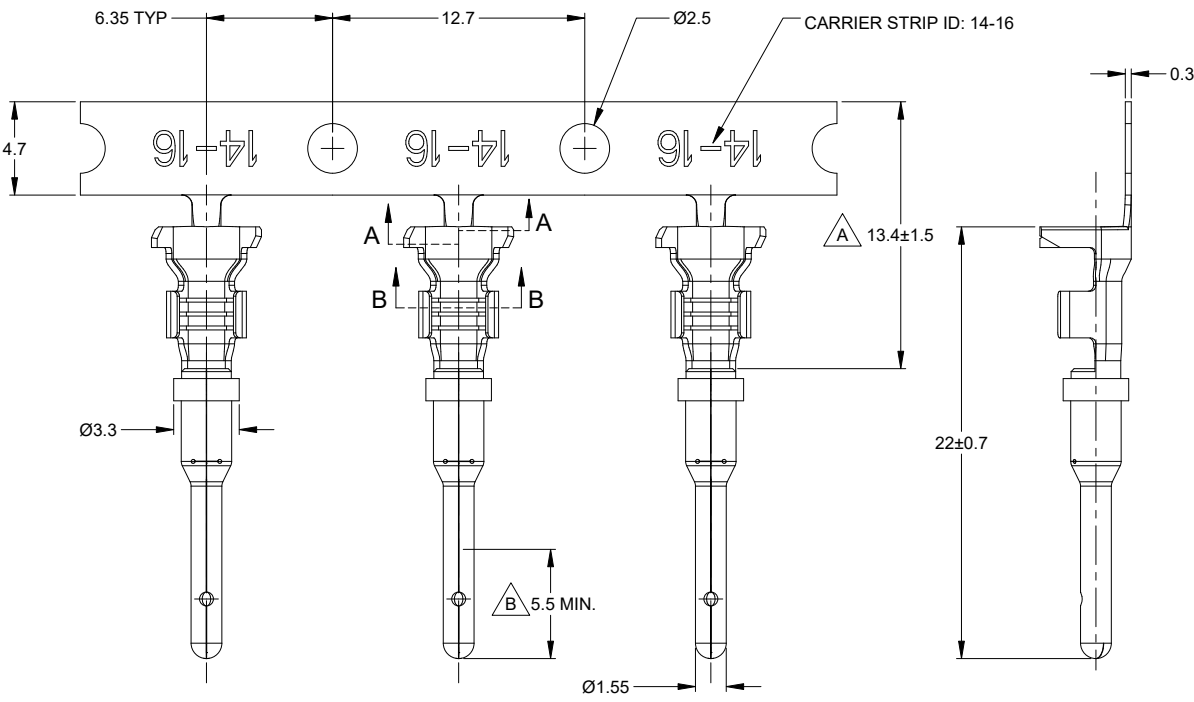
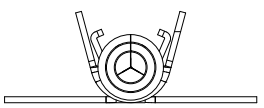


REVISIONS					
REV	ECO	DESCRIPTION	DATE	BY	APPR
A3	--	RELEASE NEW DWG FORMAT	21OCT13	DRP	-
A4	C1070S	UPDATE DRAWING	21/JUN/19	JOE	TOMMY
A5	C1298S	UPDATE PLATING	14/SEP/20	SULLEN	TOMMY
A6	-	14-18AWG WAS 14-16AWG	18AUG23	JHEAD	DH



NOTES: UNLESS OTHERWISE SPECIFIED

- MATERIAL: COPPER ALLOY
- PLATING: SEE PART NUMBER CHART
- CONTACT SIZE: 16
- SPECIFICATIONS:
 - CURRENT RATING: 13 AMPS
 - CONTACT MILLIVOLT DROP: 100 MILLIVOLT DROP @ 13 AMP TEST CURRENT.
 - RoHS COMPLIANT
- RECOMMENDED WIRE RANGE: 14 - 18 AWG (2.0 - 0.75mm²)
RECOMMENDED INSUL O.D: 2.40 - 3.81MM (0.094 - 0.15INCH)
- PACKAGE: 4000 PCS/REEL
- AVAILABLE APPLICATORS: MFX-3975-K OR MFX-3975-G
- ALL DIMENSIONS ARE FOR REFERENCE USE ONLY



PART NUMBER CHART		
PLATING	PART NUMBER	PLATING DESCRIPTION
NICKEL	AT60-14-0122	SELECTIVE TIN OVER NICKEL OVERALL IN <u>A</u> ZONE
GOLD	AT60-14-0144	SELECTIVE GOLD FLASH OVER NICKEL OVERALL IN <u>B</u> ZONE OR ENTIRE CONTACT
TIN	AT60-14-0177	TIN OVER NICKEL OVERALL

SEE PART NUMBER CHART		REF: 1060-14-0144, 1060-14-0122	
PART NUMBER		DESCRIPTION	
QUANTITY	MATERIALS LIST		
UNLESS OTHERWISE SPECIFIED 1) All dimensions are in metric(mm). 2) Tolerances are as follows: 1 PL DEC ±0.30 Fractions ±1/64 2 PL DEC ±0.15 Angles ±1° 3 PL DEC ±0.08 3) Note reference = \triangle	SIGNATURES	DATE	<p>Sine Systems - www.amphenol-sine.com 44724 Morley Drive Clinton Township, MI 48036</p> <p>CONTACT, PIN, STAMPED, SIZE 16, 14-18 AWG, A SERIES</p>
DRAWN: SULLEN ZHANG	14/SEP/20	CHECKED: ORION LI	
ENGINEER:		APPROVAL: TOMMY XIE	
CUSTOMER:		16/SEP/20	
MATERIAL SPECIFICATIONS:	THIS DRAWING IS SUPPLIED FOR INFORMATION ONLY. DESIGN FEATURES, SPECIFICATIONS AND PERFORMANCE DATA SHOWN HEREON ARE THE PROPERTY OF THE AMPHENOL CORPORATION. NO RIGHTS OF REPRODUCTION ARE IMPLIED. ALL DIMENSIONS ARE SUBJECT TO NORMAL MANUFACTURING VARIATIONS.		REVISION
PROCESS SPECIFICATIONS:	SIZE	TYPE	DWG NO.
NEXT ASSY:	B	C-	AT60-14-01XX
	SCALE	NONE	SHEET 1 OF 1

TITLE: PIN, STAMPED, SIZE 16, 14-18AWG, A SERIES
DWG NO.: AT60-14-01XX
REV: A6
SH: 1
OF: 1

Looking for pricing, stock, or lifecycle information?

Click below to explore more details on WIN SOURCE:

- ⊖ [View AT60-14-0144 on WIN SOURCE](#)
- ⊖ [Amphenol Sine Systems Corp Information](#)

Optimize Your Supply Chain with WIN SOURCE Solutions

- ✓ Global Sourcing Solution
- ✓ Obsolete Management
- ✓ Cost Control Management
- ✓ Shortage Management
- ✓ Alternative Solution
- ✓ Excess Inventory Management