



**THE DATASHEET OF**  
**61018-1**



61018-1 ✓ ACTIVE

AMP-IN

TE Internal #: 61018-1

Receptacle, 4.1 mm [.161 in] PCB Hole, Through Hole - Press-Fit, Pre-Tin Plating, Bag, Terminates To Printed Circuit Board, Straight, PCB Terminals

[View on TE.com >](#)



Terminals & Splices > PCB Terminals



PCB Terminal Type: **Receptacle**

PCB Thickness (Recommended): 1.6 – 2.39 mm [.063 – .094 in ]

PCB Hole Diameter: 4.1 mm [.161 in ]

Mating Pin Diameter: 1.47 mm [.058 in ]

Profile Height from PCB: 5.33 mm [.212 in ]

### Features

#### Product Type Features

Terminal Features	Stud Hole
-------------------	-----------

#### Contact Features

PCB Terminal Type	Receptacle
Mating Pin Diameter	1.47 mm [.058 in]
Terminal Plating Material	Pre-Tin
Terminal Size	Miniature
Terminal Orientation	Straight

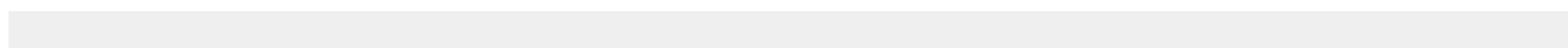
#### Termination Features

Termination Method to PCB	Through Hole - Press-Fit
Product Terminates To	Printed Circuit Board

#### Mechanical Attachment

Wire Insulation Support	Without
-------------------------	---------

#### Dimensions





Extension Below Board	3.81 mm[.15 in]
Terminal Material Thickness	.25 mm[.01 in]
PCB Thickness (Recommended)	1.6 – 2.39 mm[.063 – .094 in]
PCB Hole Diameter	4.1 mm[.161 in]
Profile Height from PCB	5.33 mm[.212 in]

### Usage Conditions

Insulation Option	Uninsulated
Operating Temperature Range	-55 – 105 °C[-67 – 221 °F]

### Packaging Features

Packaging Quantity	1000
Packaging Method	Bag

### Product Compliance

[For compliance documentation, visit the product page on TE.com>](#)

EU RoHS Directive 2011/65/EU	Compliant
EU ELV Directive 2000/53/EC	Compliant
China RoHS 2 Directive MIIT Order No 32, 2016	No Restricted Materials Above Threshold
EU REACH Regulation (EC) No. 1907/2006	Current ECHA Candidate List: JUNE 2024 (241) Candidate List Declared Against: JUNE 2024 (241) Does not contain REACH SVHC
Halogen Content	Low Halogen - Br, Cl, F, I < 900 ppm per homogenous material. Also BFR/CFR/PVC Free
Solder Process Capability	Not applicable for solder process capability

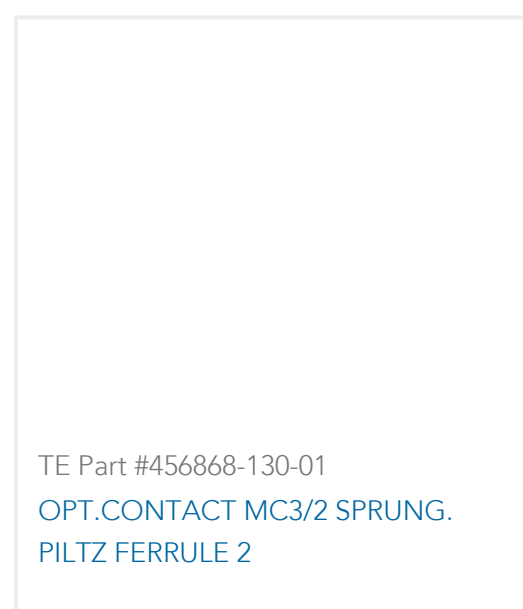
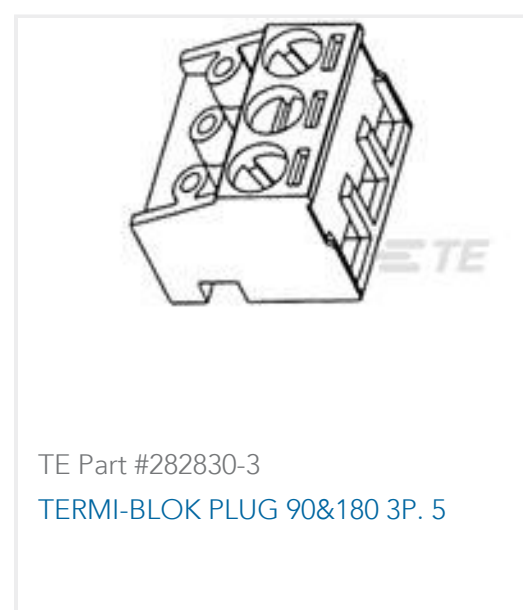
#### Product Compliance Disclaimer

This information is provided based on reasonable inquiry of our suppliers and represents our current actual knowledge based on the information they provided. This information is subject to change. The part numbers that TE has identified as EU RoHS compliant have a maximum concentration of 0.1% by weight in homogenous materials for lead, hexavalent chromium, mercury, PBB, PBDE, DBP, BBP, DEHP, DIBP, and 0.01% for cadmium, or qualify for an exemption to these limits as defined in the Annexes of Directive 2011/65/EU (RoHS2). Finished electrical and electronic equipment products will be CE marked as required by Directive 2011/65/EU. Components may not be CE marked. Additionally, the part numbers that TE has identified as EU ELV compliant have a maximum concentration of 0.1% by weight in homogenous materials for lead, hexavalent chromium, and mercury, and 0.01% for cadmium, or qualify for an exemption to these limits as defined in the Annexes of Directive 2000/53/EC (ELV). Regarding the REACH Regulation, the information TE provides on SVHC in articles for this part number is based on the latest European Chemicals Agency (ECHA) 'Guidance on requirements for substances in articles' posted at this URL: <https://echa.europa.eu/guidance-documents/guidance-on-reach>

## Compatible Parts



## Customers Also Bought



## Documents

[Product Drawings](#)  
[.058 PCB PIN PTPPHBZ](#)

English

[CAD Files](#)

[3D PDF](#)

[3D](#)



**Customer View Model**

[ENG\\_CVM\\_CVM\\_61018-1\\_C\\_c-61018-1-c.2d\\_dxf.zip](#)

English

**Customer View Model**

[ENG\\_CVM\\_CVM\\_61018-1\\_C\\_c-61018-1-c.3d\\_igs.zip](#)

English

**Customer View Model**

[ENG\\_CVM\\_CVM\\_61018-1\\_C\\_c-61018-1-c.3d\\_stp.zip](#)

English

By downloading the CAD file I accept and agree to the [Terms and Conditions](#) of use.

---

**Datasheets & Catalog Pages**

[PRINTED CIRCUIT BOARD TERMINALS AND DISCONNECTS](#)

English

---

**Product Specifications**

[Application Specification](#)

English

Looking for pricing, stock, or lifecycle information?

Click below to explore more details on WIN SOURCE:

[View 61018-1 on WIN SOURCE](#)

[TE Connectivity Information](#)

### Optimize Your Supply Chain with WIN SOURCE Solutions

- ✓ Global Sourcing Solution
- ✓ Obsolete Management
- ✓ Cost Control Management
- ✓ Shortage Management
- ✓ Alternative Solution
- ✓ Excess Inventory Management