



THE DATASHEET OF
60704-1



60704-1 ✓ ACTIVE

AMP-IN

TE Internal #: 60704-1

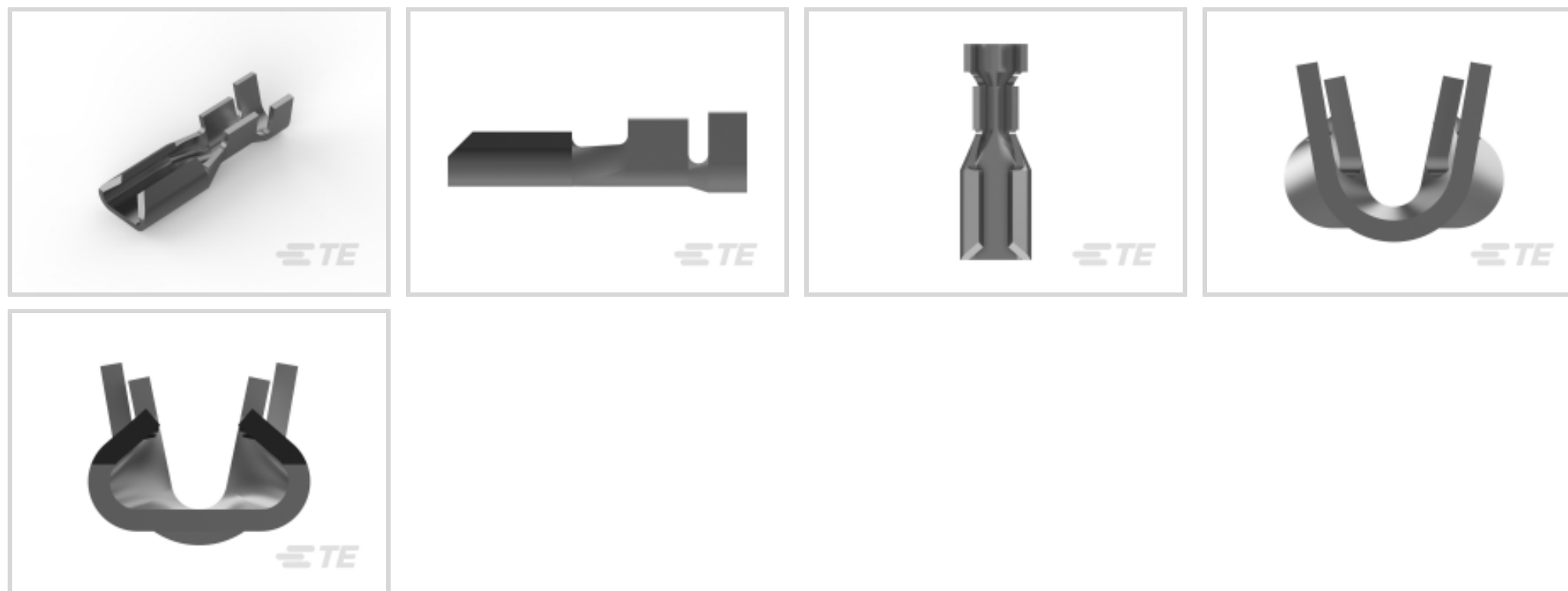
Receptacle, 3.68 mm [.145 in] PCB Hole, 22 – 18 AWG, .3 – .9 mm²

Wire, Through Hole - Solder, Tin Plating, Reel, PCB Terminals

[View on TE.com >](#)



Terminals & Splices > PCB Terminals



PCB Terminal Type: **Receptacle**

PCB Thickness (Recommended): 1.57 mm [.062 in]

PCB Hole Diameter: 3.68 mm [.145 in]

Compatible Insulation Diameter (Max): 2.54 mm [.1 in]

Compatible Insulation Diameter Range: 2.03 – 2.54 mm [.08 – .1 in]

Features

Product Type Features

Terminal Features	Stud Hole
Wire Insulation Support Retention Type	Open Barrel

Contact Features

Contact Mating Area Plating Material Thickness	2.03 – 5.08 μm[80 – 200 μin]
PCB Terminal Type	Receptacle
Terminal Plating Material	Tin
Contact Underplating Material	Brass
Terminal Orientation	Straight

Termination Features

Termination Method to PCB	Through Hole - Solder
Product Terminates To	Printed Circuit Board

Mechanical Attachment

Wire Insulation Support	With
-------------------------	------

Dimensions



Terminal Material Thickness	.41 mm[.016 in]
PCB Thickness (Recommended)	1.57 mm[.062 in]
PCB Hole Diameter	3.68 mm[.145 in]
Compatible Insulation Diameter (Max)	2.54 mm[.1 in]
Compatible Insulation Diameter Range	2.03 – 2.54 mm[.08 – .1 in]
Wire Size	.3 – .9 mm ²

Usage Conditions

Insulation Option	Uninsulated
Operating Temperature Range	-30 – 105 °C[-22 – 221 °F]

Packaging Features

Packaging Quantity	20000
Packaging Method	Reel

Product Compliance

[For compliance documentation, visit the product page on TE.com>](#)

EU RoHS Directive 2011/65/EU	Compliant
EU ELV Directive 2000/53/EC	Compliant
China RoHS 2 Directive MIIT Order No 32, 2016	No Restricted Materials Above Threshold
EU REACH Regulation (EC) No. 1907/2006	Current ECHA Candidate List: JUNE 2024 (241) Candidate List Declared Against: JUNE 2024 (241) Does not contain REACH SVHC
Halogen Content	Low Halogen - Br, Cl, F, I < 900 ppm per homogenous material. Also BFR/CFR/PVC Free
Solder Process Capability	Not applicable for solder process capability

Product Compliance Disclaimer

This information is provided based on reasonable inquiry of our suppliers and represents our current actual knowledge based on the information they provided. This information is subject to change. The part numbers that TE has identified as EU RoHS compliant have a maximum concentration of 0.1% by weight in homogenous materials for lead, hexavalent chromium, mercury, PBB, PBDE, DBP, BBP, DEHP, DIBP, and 0.01% for cadmium, or qualify for an exemption to these limits as defined in the Annexes of Directive 2011/65/EU (RoHS2). Finished electrical and electronic equipment products will be CE marked as required by Directive 2011/65/EU. Components may not be CE marked. Additionally, the part numbers that TE has identified as EU ELV compliant have a maximum concentration of 0.1% by weight in homogenous materials for lead, hexavalent chromium, and mercury, and 0.01% for cadmium, or qualify for an exemption to these limits as defined in the Annexes of Directive 2000/53/EC (ELV). Regarding the REACH Regulation, the information TE provides on SVHC in articles for this part number is based on the latest European Chemicals Agency (ECHA) 'Guidance on requirements for substances in articles' posted at this URL: <https://echa.europa.eu/guidance-documents/guidance-on-reach>

Compatible Parts



TE Part # 61782-2
AMPEDGE FLAG 22-16 .0126TPBR



TE Part # 60156-2
AMP EDGE TERM IS 20-18 016TPBR



TE Part # 4150060-1
OCEAN-2.0-APPLICATOR-E-090F120F-REM



TE Part # 4150060-2
OCEAN-2.0-APPLICATOR-E-090F120F-REA



TE Part # 7-4150060-7
OCEAN_2.0_SPARE_PART_KIT-090F120F



TE Part # 61561-2
AMP-EDGE TERM 22-18 SN/PHBZ

Customers Also Bought



TE Part #1375819-2
CST-100 II CONTACT 15 GOLD PLT



TE Part #62122-1
110 FASTON TAB 22-18 TPBR



TE Part #464772-E
SRCROL A 2,54 2 C1820 500 137 * 9999 J 2



TE Part #1445336-3
LOOSE PC CONTACT 30 AU PLATED



TE Part #NB-PTCO-002
Pt100, 2.0x2.3, Class B, PTFC101B1G0



TE Part #2-2176566-6
3430 A3 1% 10R 200ppm 1k RL



TE Part #364212-E
SRCBUG A 2,54 2 3 CSI 112 E1 ADV J 2 324



TE Part #5510320002
PD-CAP-1/8-0



TE Part #1375820-5
CST-100 II HOUSING 5 POS



TE Part #1546551-5
5P, STRAIGHT, SIDE ENTRY, 3.5MM

Documents

Product Drawings

[AMP EDGE TERM IS 20-18 016TPBR](#)

English

CAD Files

Customer View Model

[ENG_CVM_CVM_60704-1_AD.2d_dxf.zip](#)

English

3D PDF

3D

Customer View Model

[ENG_CVM_CVM_60704-1_AD.3d_igs.zip](#)

English

Customer View Model

[ENG_CVM_CVM_60704-1_AD.3d_stp.zip](#)

English

By downloading the CAD file I accept and agree to the [Terms and Conditions](#) of use.

Datasheets & Catalog Pages

[PRINTED CIRCUIT BOARD TERMINALS AND DISCONNECTS](#)

English

Product Specifications

[Product Specification](#)

English

[Terminal, AMP EDGE](#)

English

Looking for pricing, stock, or lifecycle information?

Click below to explore more details on WIN SOURCE:

[View 60704-1 on WIN SOURCE](#)

[TE Connectivity Information](#)

Optimize Your Supply Chain with WIN SOURCE Solutions

- ✓ Global Sourcing Solution
- ✓ Obsolete Management
- ✓ Cost Control Management
- ✓ Shortage Management
- ✓ Alternative Solution
- ✓ Excess Inventory Management