



THE DATASHEET OF
60619-5



60619-5 ✓ ACTIVE

MATE-N-LOK | Commercial MATE-N-LOK

TE Internal #: 60619-5

Socket Contact, Gold (Au), 250 VAC, Locking Lance Contact Retention, 20 – 14 AWG, .52 – 2.08 mm² Wire, Crimp, Brass, Power, Commercial MATE-N-LOK

[View on TE.com >](#)



Connectors > Contacts > Connector Contacts



Contact Type: **Socket**

Contact Mating Area Plating Material: **Gold (Au)**

Wire Contact Termination Area Plating Material: **Gold**

Operating Voltage: **250 VAC**

Contact Retention Within Housing: **With**

Features

Product Type Features

Discrete Wire Type	Stranded
--------------------	----------

Electrical Characteristics

Operating Voltage	250 VAC
-------------------	---------

Contact Features

Contact Underplating Material	Nickel
Contact Orientation	Straight
Mating Pin Diameter	2.13 mm[.084 in]
Contact Underplating Material Thickness	1.27 μm[50 μin]
Contact Mating Area Plating Material Thickness	.76 μm[30 μin]
Wire Contact Termination Area Plating Material Finish	Bright
Contact Shape & Form	Round
Wire Contact Termination Area Plating Thickness	.76 μm[30 μin]
Barrel Type	Open
Contact Type	Socket



Contact Mating Area Plating Material	Gold (Au)
Wire Contact Termination Area Plating Material	Gold
Contact Retention Within Housing	With
Contact Base Material	Brass
Contact Current Rating (Max)	15 A

Termination Features

Termination Method to Wire & Cable	Crimp
Product Terminates To	Wire & Cable

Mechanical Attachment

Wire Insulation Support	Without
Contact Retention Type Within Housing	Locking Lance

Dimensions

Compatible Insulation Diameter Range	3.3 mm [.13 in]
Wire Size	.52 – 2.08 mm ²

Usage Conditions

Operating Temperature Range	-55 – 105 °C [-67 – 221 °F]
-----------------------------	-----------------------------

Operation/Application

Circuit Application	Power
---------------------	-------

Packaging Features

Packaging Quantity	1000
Packaging Method	Bag & Box

Product Compliance

[For compliance documentation, visit the product page on TE.com>](#)

EU RoHS Directive 2011/65/EU	Compliant
EU ELV Directive 2000/53/EC	Compliant
China RoHS 2 Directive MIIT Order No 32, 2016	No Restricted Materials Above Threshold
EU REACH Regulation (EC) No. 1907/2006	Current ECHA Candidate List: JUNE 2024 (241) Candidate List Declared Against: JUNE 2024 (241) Does not contain REACH SVHC
Halogen Content	Low Halogen - Br, Cl, F, I < 900 ppm per homogenous material. Also BFR/CFR/PVC

Free

Solder Process Capability

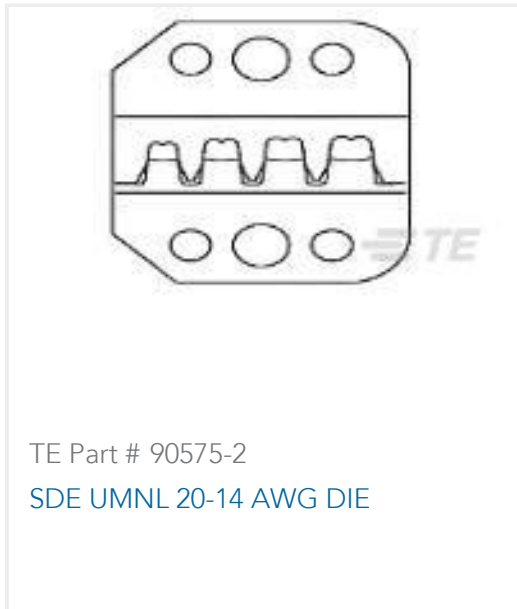
Not applicable for solder process capability

Product Compliance Disclaimer

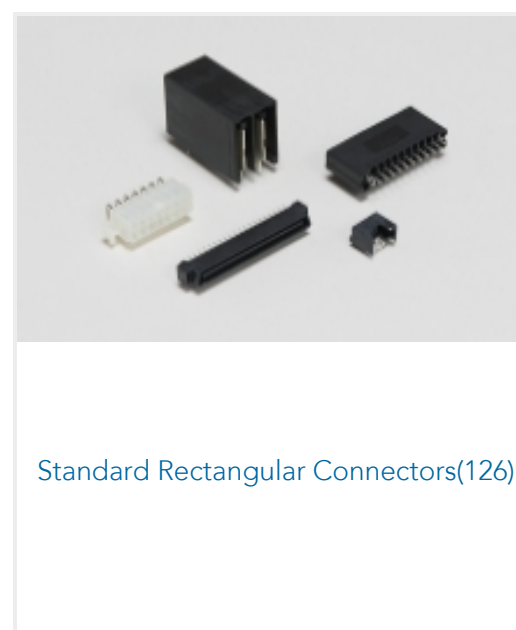
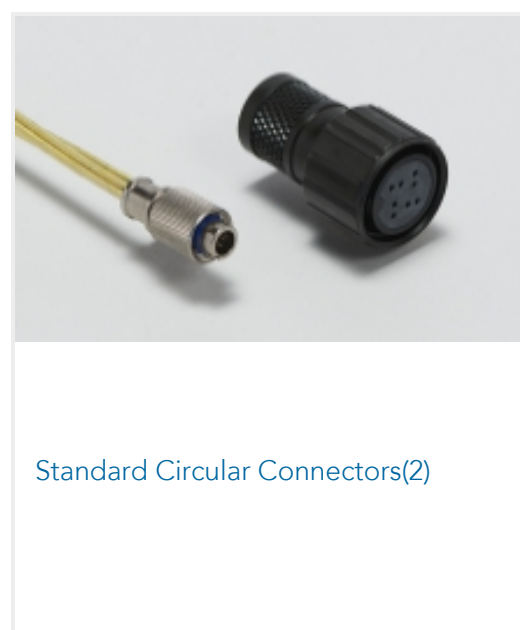
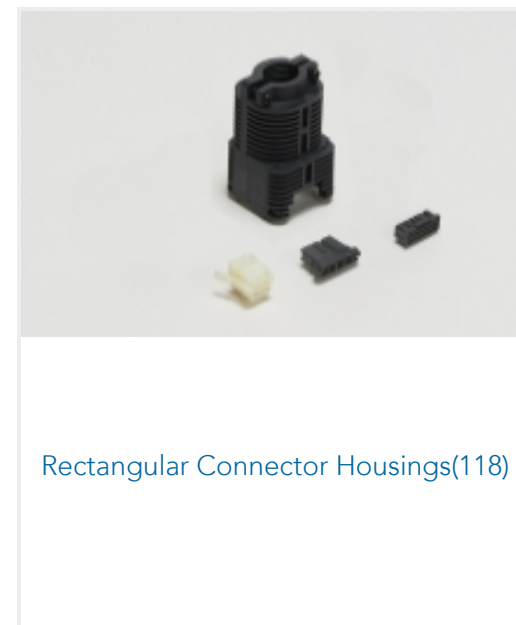
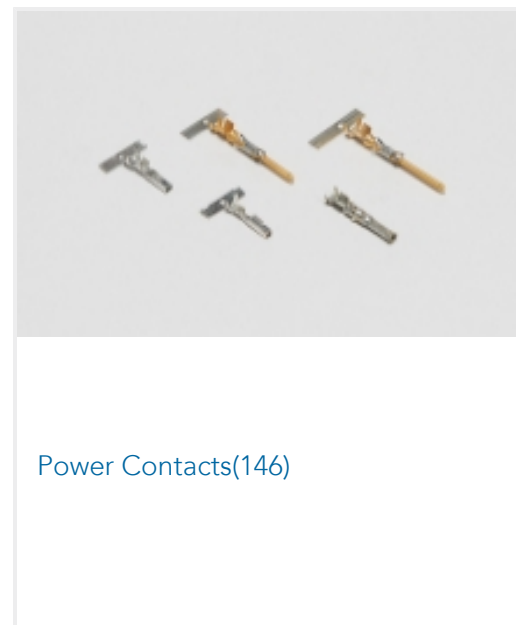
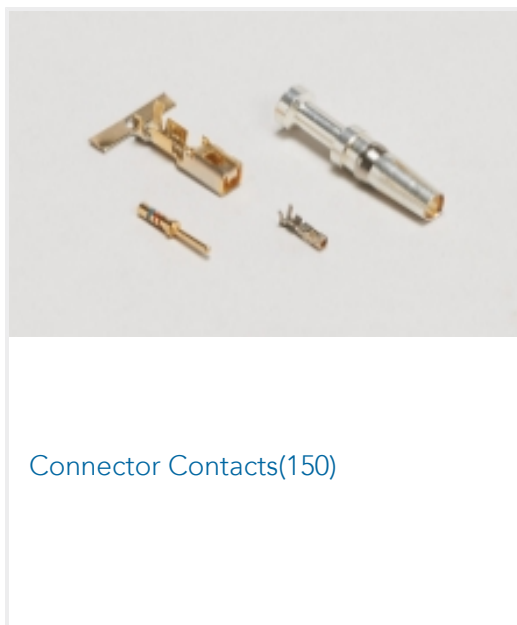
This information is provided based on reasonable inquiry of our suppliers and represents our current actual knowledge based on the information they provided. This information is subject to change. The part numbers that TE has identified as EU RoHS compliant have a maximum concentration of 0.1% by weight in homogenous materials for lead, hexavalent chromium, mercury, PBB, PBDE, DBP, BBP, DEHP, DIBP, and 0.01% for cadmium, or qualify for an exemption to these limits as defined in the Annexes of Directive 2011/65/EU (RoHS2). Finished electrical and electronic equipment products will be CE marked as required by Directive 2011/65/EU. Components may not be CE marked. Additionally, the part numbers that TE has identified as EU ELV compliant have a maximum concentration of 0.1% by weight in homogenous materials for lead, hexavalent chromium, and mercury, and 0.01% for cadmium, or qualify for an exemption to these limits as defined in the Annexes of Directive 2000/53/EC (ELV). Regarding the REACH Regulation, the information TE provides on SVHC in articles for this part number is based on the latest European Chemicals Agency (ECHA) 'Guidance on requirements for substances in articles' posted at this URL: <https://echa.europa.eu/guidance-documents/guidance-on-reach>

Compatible Parts

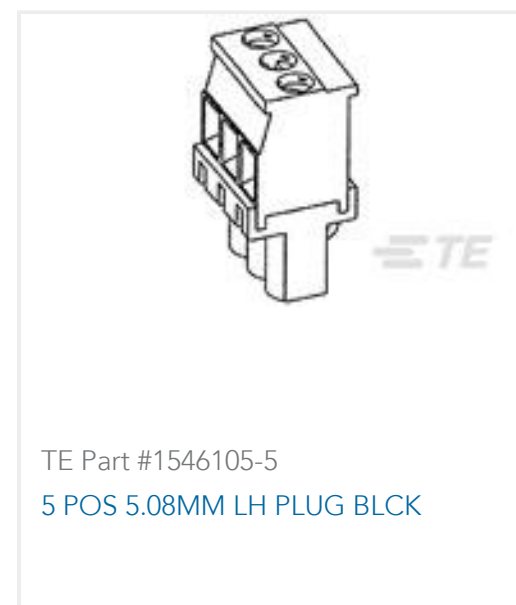
 <p>TE Part # 1-480303-0 03P CMNL PLUG HSG F/H NATL</p>	 <p>TE Part # 1-480305-0 03P CMNL CAP HSG F/H NATL</p>	 <p>TE Part # 170923-1 CMNL PLG 2P FREE HNG</p>	 <p>TE Part # 1-480318-9 02P CMNL PLUG HSG F/H BLK</p>
 <p>TE Part # 1-480424-0 04P CMNL PLUG HSG F/H NATL</p>	 <p>TE Part # 1-480439-0 16P CMNL CAP HSG M/M NATL</p>	 <p>TE Part # 1-480285-0 10P CMNL PLUG HSG M/M NATL</p>	 <p>TE Part # 1-480318-0 02P CMNL PLUG HSG F/H NATL</p>
 <p>TE Part # 1-480323-0 15P CMNL PLUG HSG P/M NATL</p>	 <p>TE Part # 1-480401-0 01P CMNL CAP HSG F/H BLK</p>	 <p>TE Part # 1-480424-9 04P CMNL PLUG HSG F/H BLK</p>	 <p>TE Part # 1-480722-0 04P CMNL PLUG HSG W/LCK NATL</p>



Also in the Series | Commercial MATE-N-LOK



Customers Also Bought





TE Part #1532180-3
M83513/03-B03N, MCKS-N1-B-15P6G9-18.0



TE Part #1-1546670-8
18P.437" DR BARRIER,W/BND SCRW



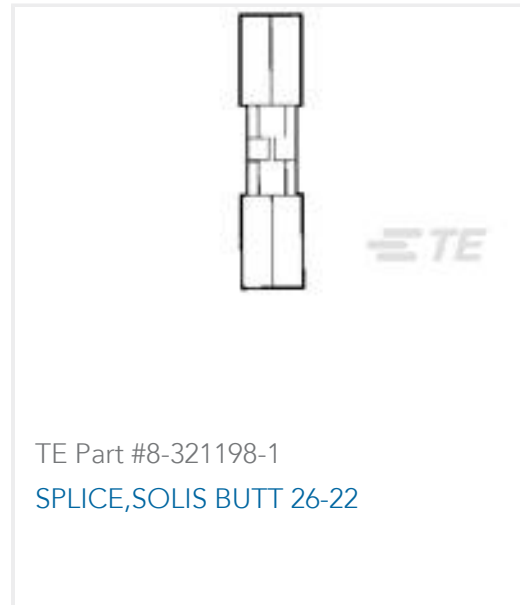
TE Part #8-1393253-3
W69-X2Q12-10=M6/M7/M9/W6/W7



TE Part #1977477-3
Module Dual Barrier, .325 CL, 3 Pos.



TE Part #1-171197-0
9 POS MATE-N-LOK S



TE Part #8-321198-1
SPLICE,SOLIS BUTT 26-22

Documents

Product Drawings

[CMNL SOK AUBR L/P](#)

English

CAD Files

[3D PDF](#)

3D

Customer View Model

[ENG_CVM_CVM_60619-5_Y.2d_dxf.zip](#)

English

Customer View Model

[ENG_CVM_CVM_60619-5_Y.3d_igs.zip](#)

English

Customer View Model

[ENG_CVM_CVM_60619-5_Y.3d_stp.zip](#)

English

By downloading the CAD file I accept and agree to the [Terms and Conditions](#) of use.

Datasheets & Catalog Pages

[SOFT_SHELL_PIN_SOCKET_CONNECTORS_STANDARD_DENSITY](#)

English

Product Specifications

[Application Specification](#)

English

Instruction Sheets

[Instruction Sheet \(U.S.\)](#)

60619-5

Socket Contact, Gold (Au), 250 VAC, Locking Lance Contact Retention, 20 – 14 AWG, .
52 – 2.08 mm² Wire, Crimp, Brass, Power, Commercial MATE-N-LOK



English

Looking for pricing, stock, or lifecycle information?

Click below to explore more details on WIN SOURCE:

[View 60619-5 on WIN SOURCE](#)

[TE Connectivity Information](#)

Optimize Your Supply Chain with WIN SOURCE Solutions

- ✓ Global Sourcing Solution
- ✓ Obsolete Management
- ✓ Cost Control Management
- ✓ Shortage Management
- ✓ Alternative Solution
- ✓ Excess Inventory Management