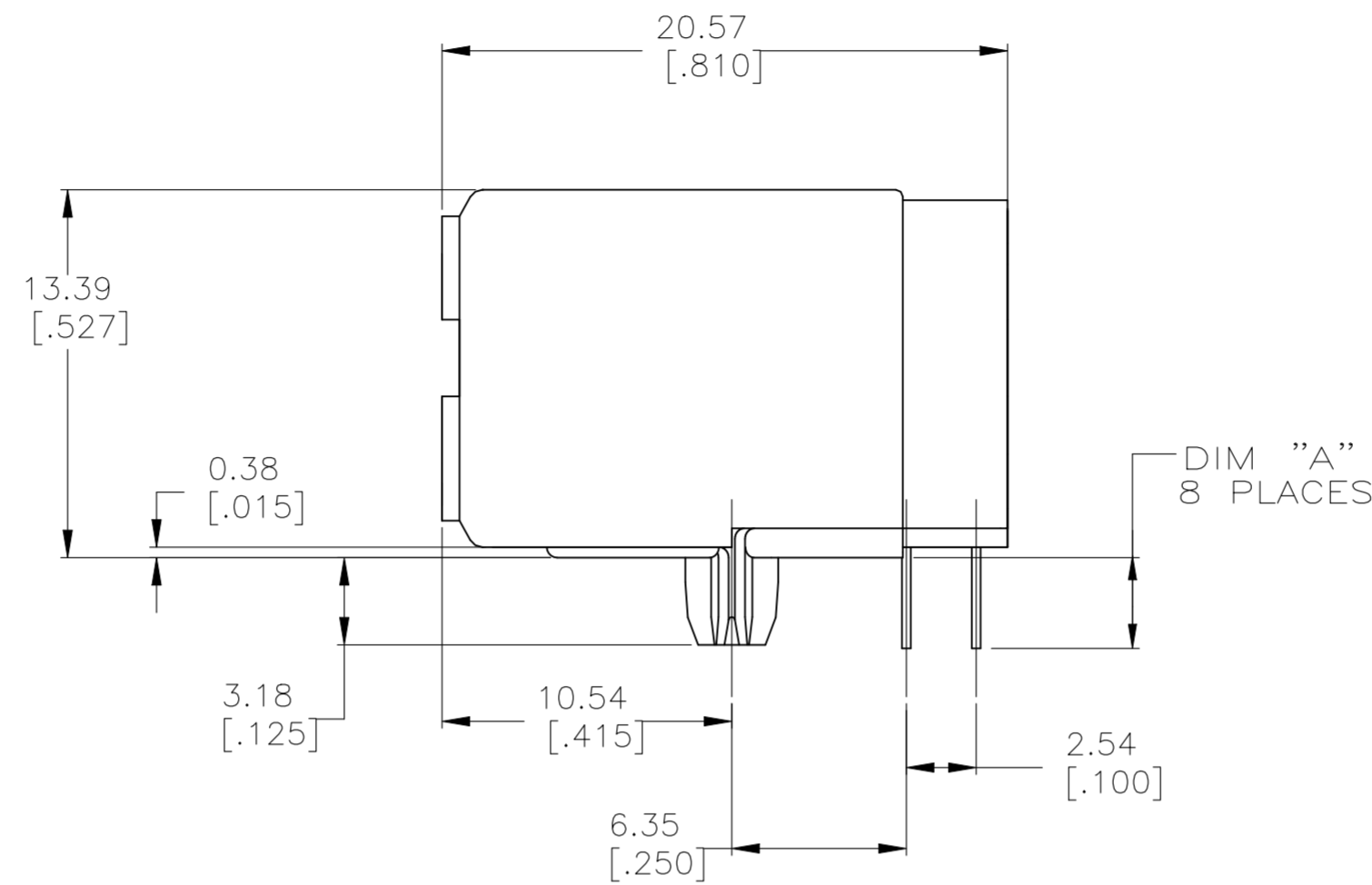
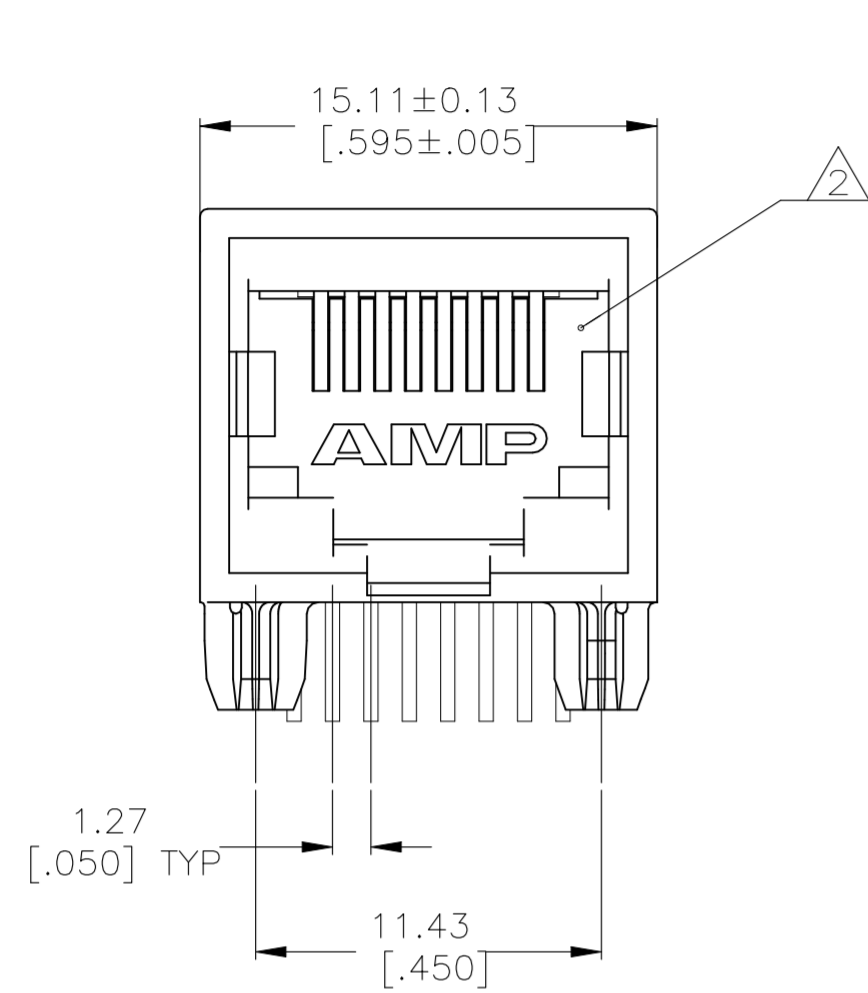


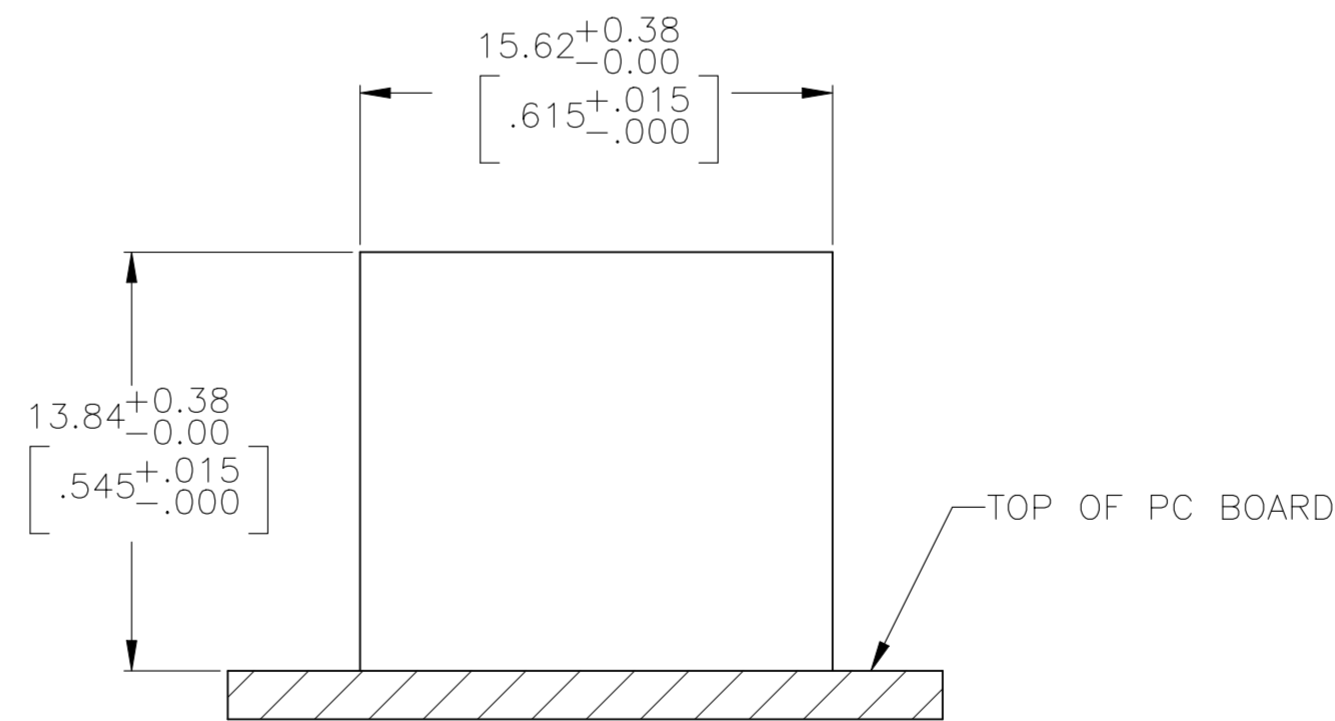
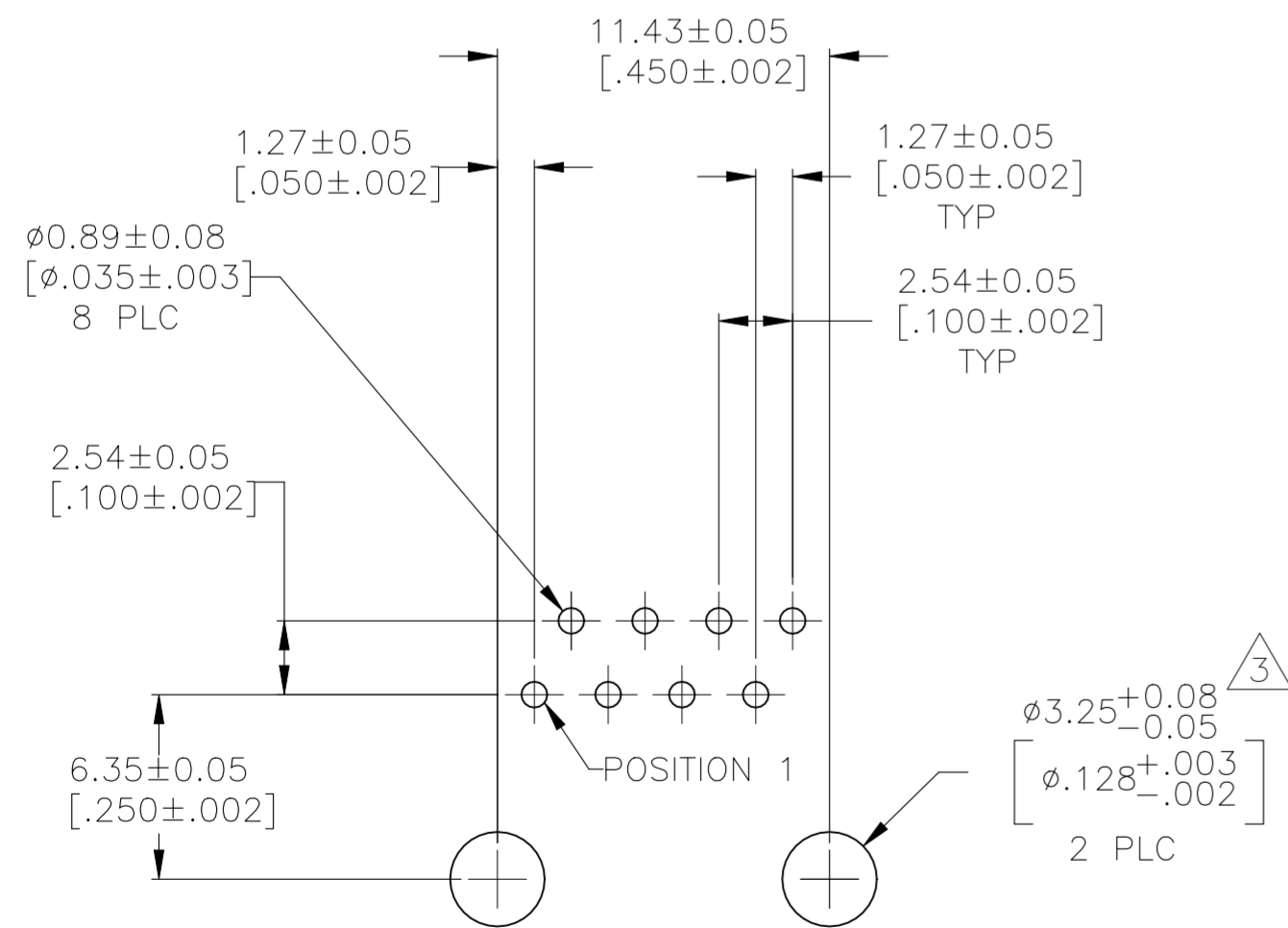
REVISIONS					
P	LTR	DESCRIPTION	DATE	DWN	APVD
C1		ECR-19-014657	13DEC2020	RR	SZ



1. MATERIAL: HOUSING - HIGH TEMPERATURE NYLON, COLOR: BLACK, UL 94-V0
OVERMOLDED TERMINAL ARRAY - PBT, BROWN
TERMINALS - 0.33[.013] THICK PHOS BRONZE
PLATED WITH 1.27μm[.000050] MINIMUM THICK
HARD GOLD IN LOCALIZED AREA AND 3.81μm
[.000150] MINIMUM THICK MATTE TIN IN SOLDER
AREA OVER 1.27μm[.000050] MINIMUM THICK
NICKEL UNDERPLATE.

2 JACK CAVITY CONFORMS TO FCC RULES AND REGULATIONS, PART 68 SUBPART F.

3 USE #30 DRILL BIT OR 3.25mm DRILL BIT WHEN PRODUCING THESE PCB HOLES.



SUGGESTED PANEL CUTOUT

SUGGESTED PC BOARD LAYOUT
COMPONENT SIDE

3.05±0.38 [.120±.015]	6116518-2
3.56±0.38 [.140±.015]	6116518-1
DIM "A"	PART NUMBER

THIS DRAWING IS A CONTROLLED DOCUMENT.		DWN	21MAY2005	DL DRUMMOND/L.A.MAYER	TE Connectivity	
DIMENSIONS: mm [INCHES]		CHK	21MAY2005	J.WESTMAN	NAME	
TOLERANCES UNLESS OTHERWISE SPECIFIED:		APVD	21MAY2005	S.FLICKINGER	PRODUCT SPEC	
0 PLC ± -	1 PLC ± -	APPLICATION SPEC		108-1163-2	MODULAR JACK ASSEMBLY, 8 POSITION, RIGHT ANGLE, LOW PROFILE, CATEGORY 5e	
2 PLC ± 0.25[.010]	3 PLC ± -	MATERIAL		114-2048	SIZE	CAGE CODE
4 PLC ± -	ANGLES ± -	FINISH		0.000000	A2	00779
SEE NOTE 1	SEE NOTE 1	CUSTOMER DRAWING		WEIGHT	SCALE	SHEET
				0.000000	4:1	1 OF 1
				DRAWING NO		REV
				C=6116518		C1

Looking for pricing, stock, or lifecycle information?

Click below to explore more details on WIN SOURCE:

 [View 6116518-1 on WIN SOURCE](#)

 [TE Connectivity](#) Information

Optimize Your Supply Chain with WIN SOURCE Solutions

-  Global Sourcing Solution
-  Obsolete Management
-  Cost Control Management
-  Shortage Management
-  Alternative Solution
-  Excess Inventory Management