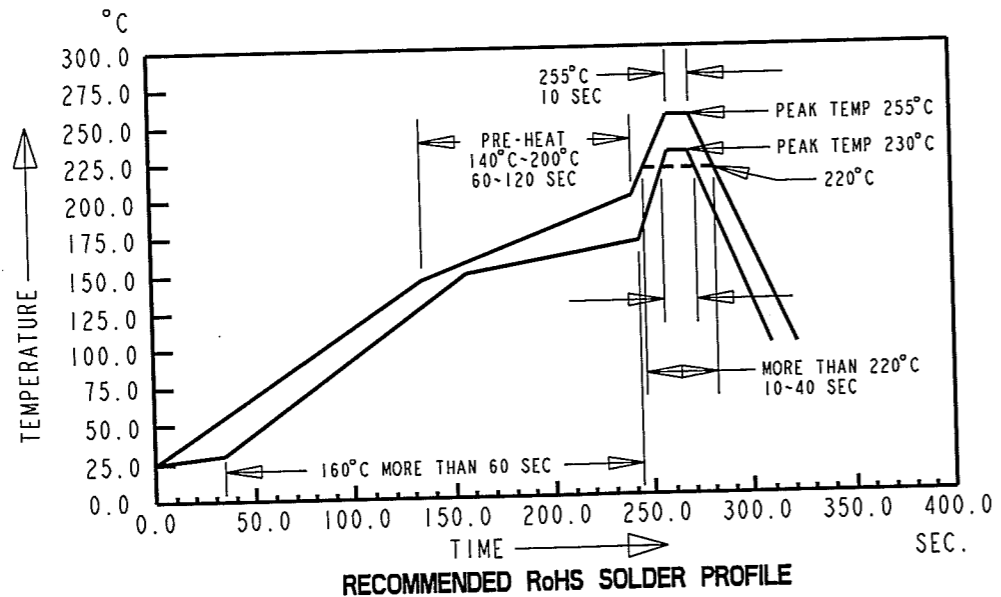
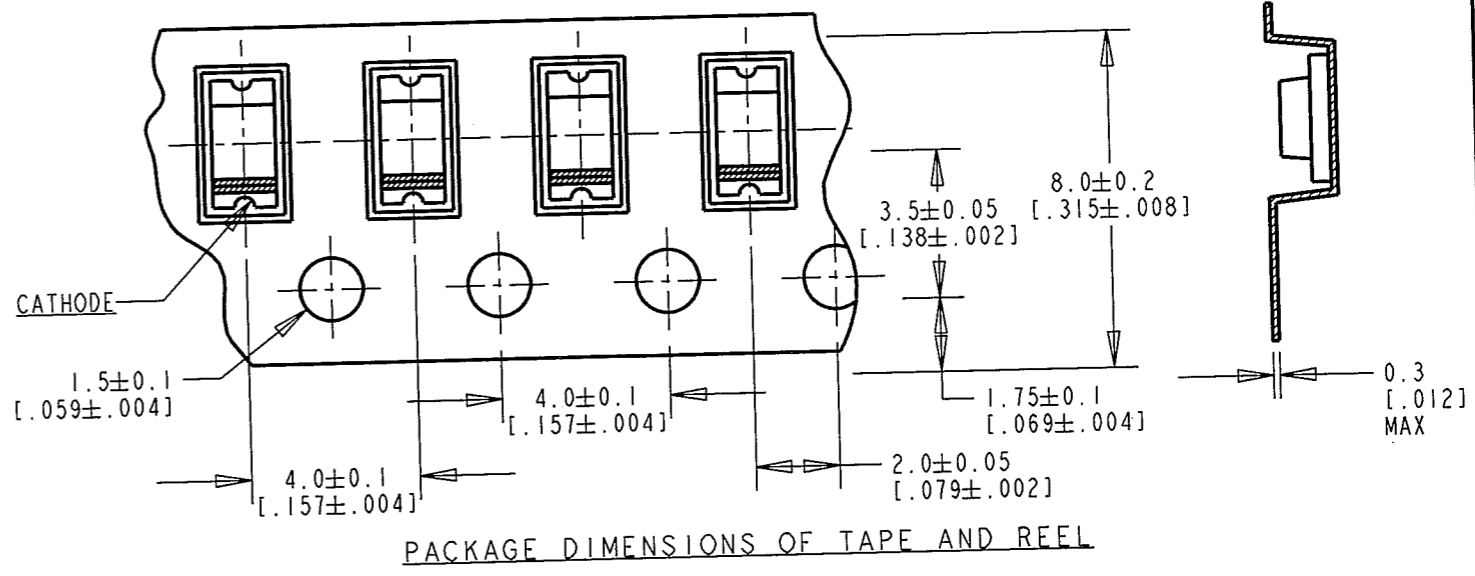
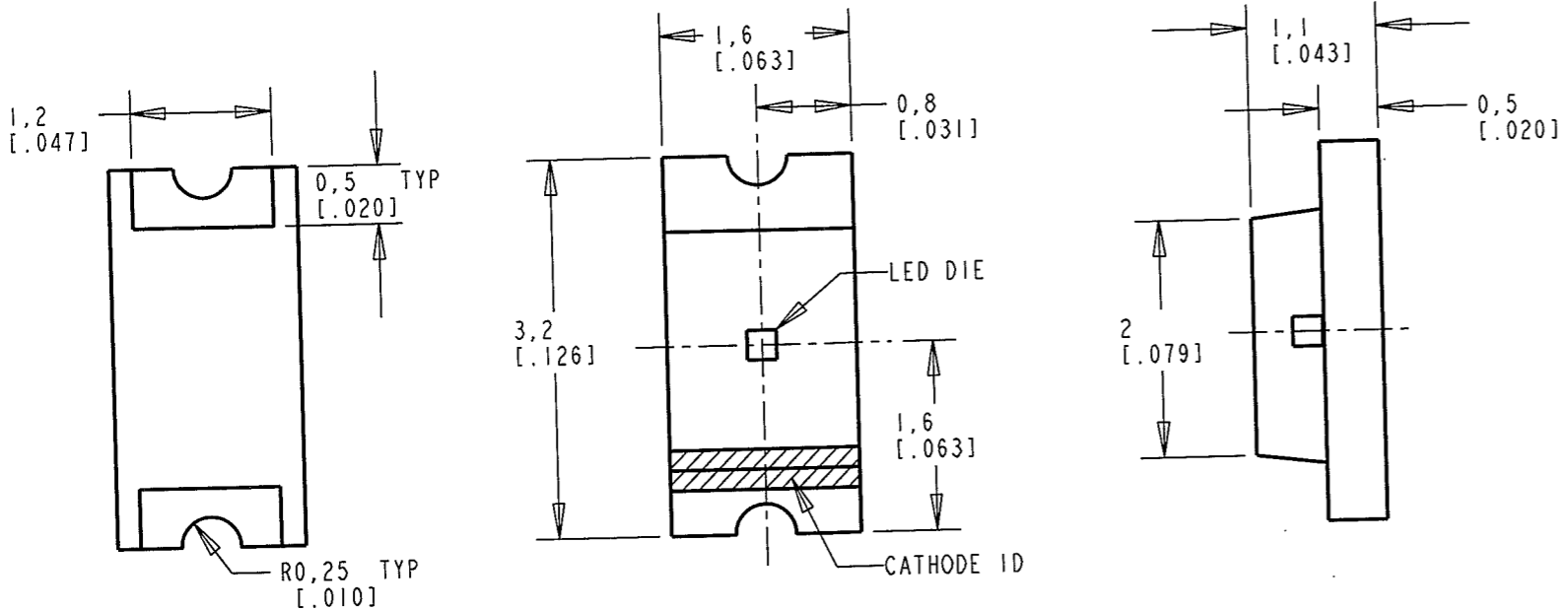


| REV | ECN NO | REVISIONS | DRN | CKD | APP | DATE |
|-----|--------|--------------------------------------------------------------------------------------------------------------------------------------------|-----|------|------|----------|
| A | | NEW RELEASE | TC | DC | N.O. | 4-1-99 |
| B | | ADDED NOTE 9. | TC | DC | N.O. | 6-9-99 |
| C | | ADDED RoHS COMPLIANT "F" SUFFIX P/N'S, RoHS AND NORMAL REFLOW PROFILE & RoHS NOTE; UPDATED FORMAT; REVISED LEAD FINISH AND PACKAGING NOTES | TWC | MES | N.O. | 8-5-05 |
| D | | ADDED "1,2", "0,5 TYP", & "R0,25" DIMS ON LED; REMOVED NON-"F" P/N'S IN NOTE 8; REMOVED NON-RoHS REFLOW PROFILE; UPDATED SOLDERING SPECS. | KLJ | M.P. | | 10-16-08 |



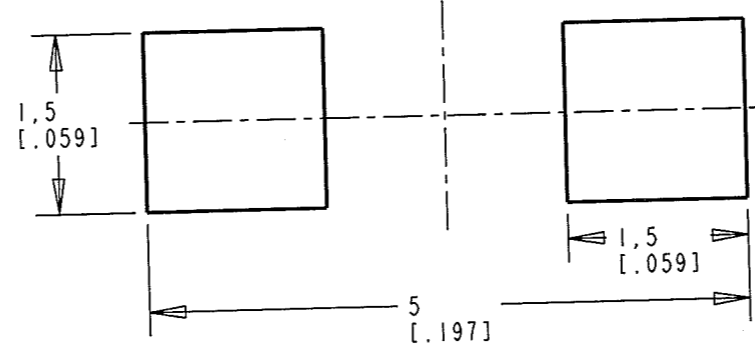
NOTES:

- EPOXY COLOR: WATER CLEAR
- DIE: GaP
- LEADS: GOLD (Au) PLATED ON COPPER ALLOY (Cu) ON FR-4 SUBSTRATE
- SOLDER ADHERANCE: BOTH LEADS PER MIL-STD-202E, METHOD 208C
- PART TAPED AND REELED PER EIA-RS-481-1.
- PART SUPPLIED 3000 DEVICES PER 7" DIAMETER REEL, ONE REEL PER SEALED ALUMINUM BAG WITH DESICCANT.
- LABELING FOR REEL AND OUTSIDE OF ALUMINUM FOIL BAG: DIALIGHT P/N, QUANTITY PER REEL, DATE CODE, INTENSITY BIN CODE, LOT NUMBER, AND COUNTRY OF ORIGIN.
- DIALIGHT P/N: 597-3302-602F, -607F
- TAPE AND REEL LEDS MAY REQUIRE RE-TAPING AFTER TWELVE MONTHS.
- PART NUMBERS WITH "F" SUFFIX ENDING ARE RoHS COMPLIANT. REEL AND BAG ARE MARKED WITH "RoHS COMPLIANT" LABEL OR EQUIVALENT MARKINGS.



| OPERATING CHARACTERISTICS AT 25°C AMBIENT | | | | | |
|-------------------------------------------|-----|-----|------|-------|---------------------------------|
| LED CHARACTERISTICS | MIN | TYP | MAX | UNITS | TEST CONDITIONS |
| LUMINOUS INTENSITY | 4.0 | 8.0 | 30.0 | mcd | I _f = 10 mA |
| FORWARD VOLTAGE | | 2.1 | 2.6 | V | I _f = 20 mA |
| DOMINANT WAVELENGTH | | 569 | | nm | |
| PEAK WAVELENGTH | | 565 | | nm | @ PEAK |
| REVERSE CURRENT | | | 100 | μA | V _r = 5 V |
| VIEWING ANGLE (2 Θ 1/2) | | 130 | | DEG | |
| SPECTRAL LINE HALF-WIDTH | | 30 | | nm | |
| CAPACITANCE | | 35 | | pF | V _r = 0 V; f = 1 MHz |

| ABSOLUTE MAXIMUM RATINGS AT 25°C AMBIENT | | |
|-----------------------------------------------------------|------------|-------|
| | VALUE | UNITS |
| POWER DISSIPATION | 100 | mW |
| CONTINUOUS FORWARD CURRENT | 30 | mA |
| PEAK FORWARD CURRENT (1/10 DUTY CYCLE, 0.1ms PULSE WIDTH) | 120 | mA |
| DERATE LINEARLY FROM 50°C | 0.6 | mA/°C |
| REVERSE VOLTAGE | 5 | V |
| OPERATING TEMPERATURE | -55 TO +85 | °C |
| STORAGE TEMPERATURE | -55 TO +85 | °C |
| SOLDERING TEMPERATURE (FOR 5 SEC) | 260 | °C |



THIS DRAWING AND THE CONTENTS HEREIN ARE CONFIDENTIAL AND THE SOLE PROPERTY OF DIALIGHT. REPRODUCTION OF THIS DRAWING OR CONSTRUCTION OF ANY PARTS WITHIN THIS DRAWING ARE FORBIDDEN WITHOUT THE WRITTEN CONSENT OF DIALIGHT.

| | | |
|----------------------------------------|----------------------------------------------|---------------|
| SCALE: DRAWING SCALE | DRAWING NUMBER | REV. |
| ALL DIM'S IN: INCHES (MM) | C-16509 | D |
| TOLERANCES: UNLESS OTHERWISE SPECIFIED | TITLE GREEN SMT LED RoHS COMPLIANT | |
| FRACTIONS: ±1/64 | MATERIAL | |
| DECIMALS (.XX): ±.01 | | |
| DECIMALS (.XXX): ±.005 | | |
| DECIMALS (.XXXX): ±.0005 | | |
| ANGLES: ±1° | FINISH: | |
| FSCM 83330 | 1501 ROUTE 34 SOUTH FARMINGDALE, NJ 07727 | |
| SHEET 1 OF 1 | | FAMILY TABLE: |

Looking for pricing, stock, or lifecycle information?

Click below to explore more details on WIN SOURCE:

 [View 5973302607F on WIN SOURCE](#)

 [Dialight Information](#)

Optimize Your Supply Chain with WIN SOURCE Solutions

-  Global Sourcing Solution
-  Obsolete Management
-  Cost Control Management
-  Shortage Management
-  Alternative Solution
-  Excess Inventory Management