



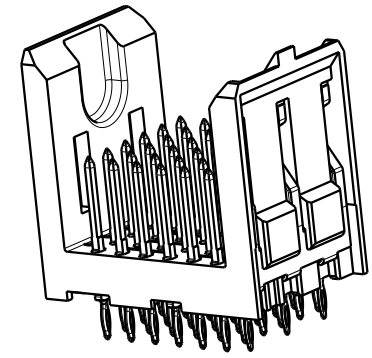
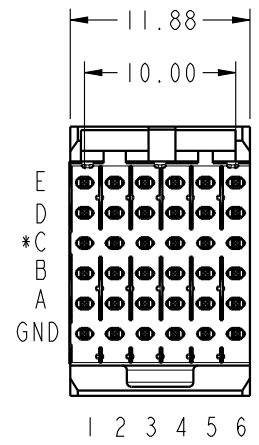
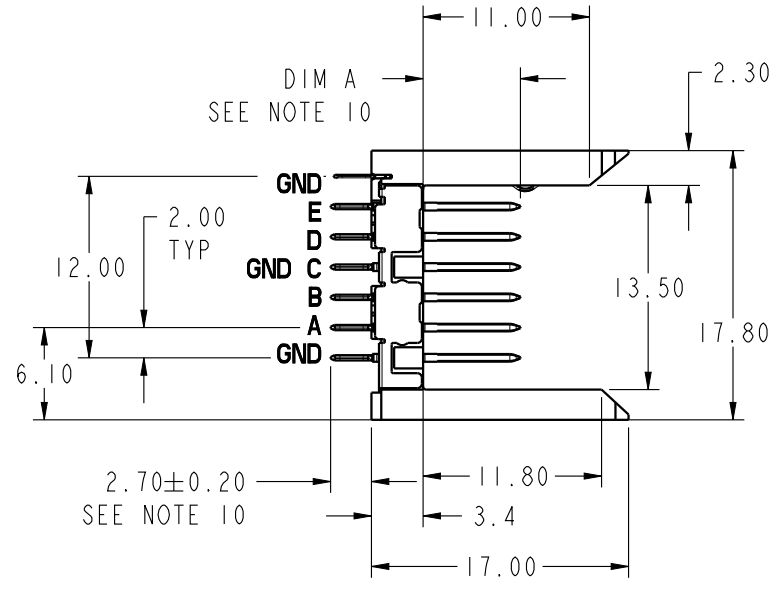
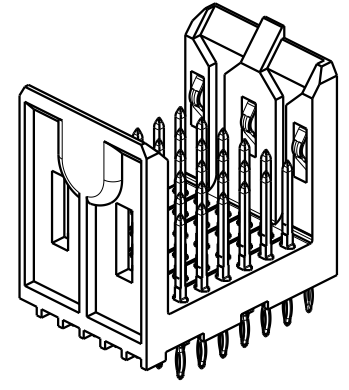
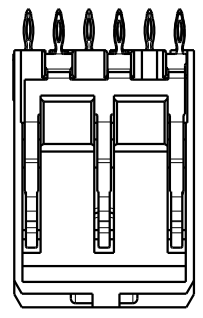
THE DATASHEET OF
59566-1005LF



PRODUCT NUMBER
59566-XXXX(L)LF

L REFER LUBRICATED (OPTIONAL)
SEE NOTE 4

X REFER PLATING PERFORMANCE
SEE NOTE 4

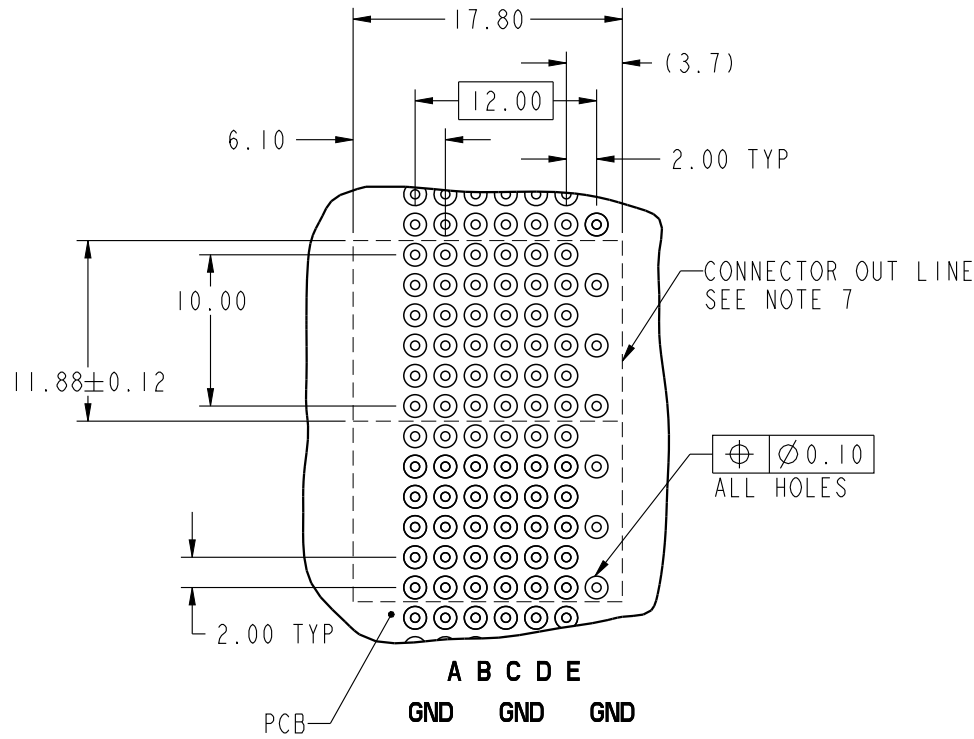


*** ROW C INFORMATION**
ODD NUMBER COLUMNS WITHIN ROW C ARE COMMONED TO GROUND INTERNALLY WITHIN THE HOUSING. THE EVEN NUMBER COLUMNS WITHIN ROW C ARE NOT. FOR MAXIMUM PERFORMANCE IT IS RECOMMENDED THESE EVEN COLUMNS BE COMMONED TO GROUND WITHIN THE PCB, SEE NOTE 9

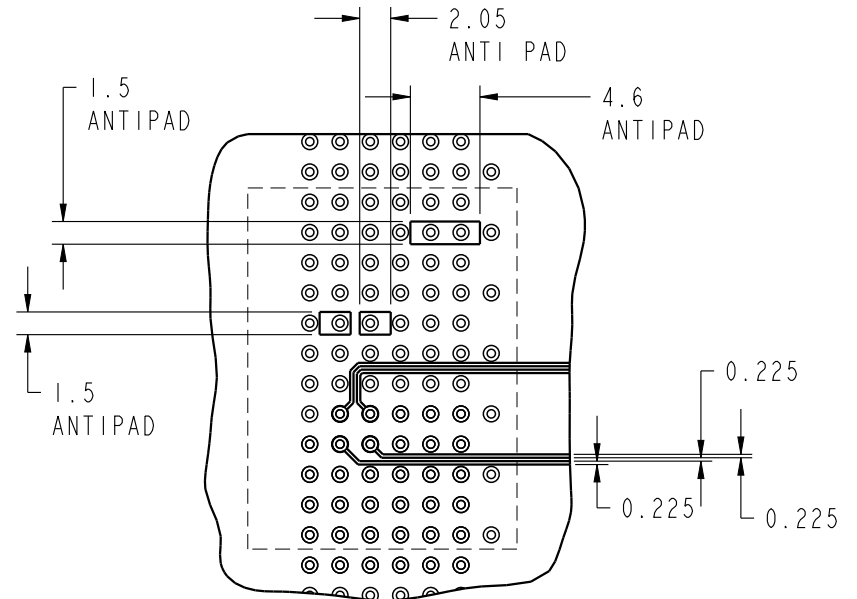
spec ref		dr P-Mathew Nebu		2011/05/20		projection		size A4		scale 2:1							
tolerance std		eng Rahul Mohan-M		2021/06/15						ecn no ELX-I-41189-1							
ISO 406 ISO 1101		chr -		-						rel level Released							
TOLERANCES UNLESS OTHERWISE SPECIFIED		appr Kuriakose, San		2021/08/13		product family METRAL 4000											
surface		linear		0.X ±0.3		Amphenol FCI title VERTICAL SIGNAL HDR 5 ROW P.F. 30 POS. SELECT LOAD STD.		dwg no 59566		rev P							
ISO 1302		0.XX ±0.13		amphenol-icc.com								cat. no.		Product - Customer Drw		sheet 1 of 4	
		0.XXX ±0.050		angular								0° ±2°					

Creo F.14:ELX-FCI-ACC, REV F, 2020-12-21

PRODUCT NUMBER
SEE SHEET 1



**RECOMMENDED PCB HOLE PATTERN
(COMPONENT SIDE)
(SEE NOTE 8)
FOR PTH DETAILS REFER DRAWING 58351**







**RECOMMENDED TRACK
AND
ANTIPAD DIMENSIONS**

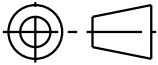

spec ref		dr P-Mathew Nebu 2011/05/20		projection 	MM ←→	size A4	scale 2:1
tolerance std ISO 406 ISO 1101		eng Rahul Mohan-M 2021/06/15				ecn no ELX-I-41189-1	
TOLERANCES UNLESS OTHERWISE SPECIFIED		chr -				rel level Released	
surface		appr Kuriakose, San 2021/08/13		product family METRAL 4000		rev	
ISO 1302	linear	0.X	±0.3	Amphenol FCi		VERTICAL SIGNAL HDR 5 ROW	
		0.XX	±0.13				
		0.XXX	±0.050				
angular	0°	±2°	amphenol-icc.com		cat. no.		
				Product - Customer Drw		sheet 2 of 4	

Creo F114-ELX-NC-ACC, REV F, 2020-12-21

PRODUCT NUMBER
SEE SHEET 1

NOTES:

1. SEE APPLICATION SPECIFICATION GS-20-014 FOR INFORMATION ON AVAILABLE TOOLING, CIRCUIT BOARD DESIGN CONSIDERATIONS, REPAIR PROCEDURES AND PRODUCT OFFERINGS. SEE PRODUCT SPECIFICATION GS-12-184.
2. UNLESS OTHERWISE SPECIFIED, ALL DIMENSIONS AND TOLERANCES ARE IN ACCORDANCE WITH ASME Y14.5, 1994
3. MATERIAL : BODY : THERMOPLASTIC UL94-V0. 
: CONTACT : COPPER ALLOY.
4. FOR PLATING PERFORMANCE REFER DRAWING # 10159408. 
5. DIMENSIONAL RESTRICTIONS OF PINS IN HEADERS.
FOR USE WITH METRAL 4000 RECEPTACLES.
DIM A : 5.00mm MIN, 6.50mm MAX FOR ROWS A,B,D,E
DIM A : 5.00mm MIN, 8.00mm MAX FOR ROWS C
DIM A : 5.00mm MIN, 5.75mm MAX FOR ROWS GND
FOR USE WITH METRAL 1000 RECEPTACLES/
DIM A : 5.00mm MIN, 8.00mm MAX FOR ROWS A,B,C,D,E
DIM A : 5.00mm MIN, 5.75mm MAX FOR ROW GND
6. THE MIN PCB THICKNESS FOR FRONT PLUG-UP APPLICATIONS IS 1.6mm.
7. THE 'CONNECTOR OUTLINE' IS THE MIN OUTLINE REQUIRED. TO DETERMINE THE OUTLINE NECESSARY TO PERMIT THE VARIOUS TYPES OF REPAIR OPERATIONS, SEE APPLICATION SPECIFICATION GS-20-010.
8. AVOID TRACES ON TOP OF BOARD DUE TO EXPOSED GROUND SHIELD.
9. FOR FRONT PLUG-UP APPLICATIONS, THE EVEN NUMBERED PINS IN ROW "C" CAN BE USED FOR POWER AS WELL AS GROUND. IF THE SURROUNDING PINS ARE NOT USED FOR POWER, THEN EACH PIN CAN CARRY 3 AMPS. IF THE SURROUNDING PINS ARE USED FOR POWER, THEN EACH PIN CAN CARRY 1 AMP. WHEN THE SURROUNDING PINS ARE USED ONLY FOR LOW SPEED SIGNALS, THEN THE EVEN NUMBERED "C" ROW PINS CAN ALSO BE USED FOR LOW SPEED SIGNALS.
10. AFTER INSERTION INTO CIRCUIT BOARD WITH QUALIFIED TOOL.
11. THE PRODUCTS MEET THE EUROPEAN DIRECTIVES AND OTHER COUNTRY REGULATIONS AS DESCRIBED IN GS-47-0004. 
12. ALL PRODUCTS WILL WITHSTAND EXPOSURE TO 260°C FOR 60 SECONDS IN A CONVECTION, INFRA-RED OR VAPOR PHASE REFLOW OVEN.
13. A  SYMBOL WILL BE NEXT TO ANY DIMENSION, VIEW, OR NOTE WHICH HAS BEEN MODIFIED WITH THE CURRENT DRAWING REVISION.

spec ref		dr	P-Mathew Nebu	2011/05/20	projection 	MM 	size	A4	scale	2:1
tolerance std	TOLERANCES UNLESS OTHERWISE SPECIFIED	eng	Rahul Mohan-M	2021/06/15			ecn no	ELX-I-41189-1		
		chr	-	-			rel level	Released		
ISO 406 ISO 1101		appr	Kuriakose, San	2021/08/13	product family	METRAL 4000				
surface ISO 1302	linear	0.X	±0.3	Amphenol FCI	title	VERTICAL SIGNAL HDR 5 ROW	dwg no	59566	rev	P
		0.XX	±0.13							
		0.XXX	±0.050							
	angular	0°	±2°	amphenol-icc.com	cat. no.	Product - Customer Drw		sheet 3 of 4		

SELECT LOAD PATTERNS							
METRAL P/N	ROW	PIN CODE					
		1	2	3	4	5	6
59566-X001LF	E	02	02	02	02	02	02
	D	02	02	02	02	02	02
	C	04	02	04	02	04	03
	B	02	02	02	02	02	02
	A	02	02	02	02	02	02
	GND	02	02	02	02	02	02

METRAL P/N	ROW	PIN CODE					
		1	2	3	4	5	6
59566-X005LF	E	02	02	02	02	02	02
	D	02	02	02	02	02	02
	C	02	02	02	02	02	02
	B	02	02	02	02	02	02
	A	02	02	02	02	02	02
	GND	-	02	02	02	02	-

PIN CODES	DIM A
01	5.00
02	5.75
03	6.50
04	7.25
*19	8.00

* CURRENTLY NOT AVAILABLE

METRAL P/N	ROW	PIN CODE					
		1	2	3	4	5	6
59566-X002LF	E	03	03	03	03	03	03
	D	02	03	03	03	03	02
	C	04	04	04	04	04	04
	B	03	03	03	03	03	03
	A	03	03	03	03	03	03
	GND	02	02	02	02	02	02

METRAL P/N	ROW	PIN CODE					
		1	2	3	4	5	6
59566-X006LF	E	03	02	02	02	02	02
	D	03	02	02	02	02	02
	C	03	02	02	02	02	02
	B	03	02	02	02	02	02
	A	03	02	02	02	02	02
	GND	-	02	02	02	02	-

METRAL P/N	ROW	PIN CODE					
		1	2	3	4	5	6
59566-X003LF	E	04	02	02	02	02	02
	D	04	02	02	02	02	02
	C	04	02	02	02	02	02
	B	04	02	02	02	02	02
	A	04	02	02	02	02	02
	GND	-	-	-	-	-	-

SELECT LOAD PATTERNS							
METRAL P/N	ROW	PIN CODE					
		1	2	3	4	5	6
59566-X007LF	E	02	02	02	02	02	02
	D	02	02	02	02	02	02
	C	04	02	02	02	02	02
	B	02	02	02	02	02	02
	A	02	02	02	02	02	02
	GND	-	02	02	02	02	-

METRAL P/N	ROW	PIN CODE					
		1	2	3	4	5	6
59566-X004LF	E	04	02	02	02	02	02
	D	04	02	02	02	02	02
	C	04	02	02	02	02	02
	B	04	02	02	02	02	02
	A	04	02	02	02	02	02
	GND	02	02	02	02	02	02

spec ref		dr	P-Mathew Nebu	2011/05/20	projection 	MM 	size	A4	scale	2:1
tolerance std ISO 406 ISO 1101	TOLERANCES UNLESS OTHERWISE SPECIFIED	eng	Rahul Mohan-M	2021/06/15			ecn no	ELX-I-41189-1		
		chr	-	-			rel level	Released		
surface ISO 1302	linear	0.X	±0.3	Amphenol FCI	VERTICAL SIGNAL HDR 5 ROW	dwg no	59566	rev	P	
		0.XX	±0.13							
		0.XXX	±0.050							
	angular	0°	±2°	amphenol-icc.com	cat. no.	Product - Customer Drw	sheet 4 of 4			

Looking for pricing, stock, or lifecycle information?

Click below to explore more details on WIN SOURCE:

[View 59566-1005LF on WIN SOURCE](#)

[Amphenol FCI Information](#)

Optimize Your Supply Chain with WIN SOURCE Solutions

- ✓ Global Sourcing Solution
- ✓ Obsolete Management
- ✓ Cost Control Management
- ✓ Shortage Management
- ✓ Alternative Solution
- ✓ Excess Inventory Management