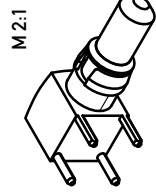
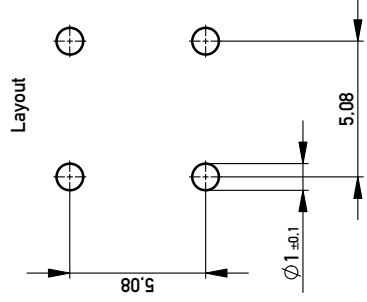
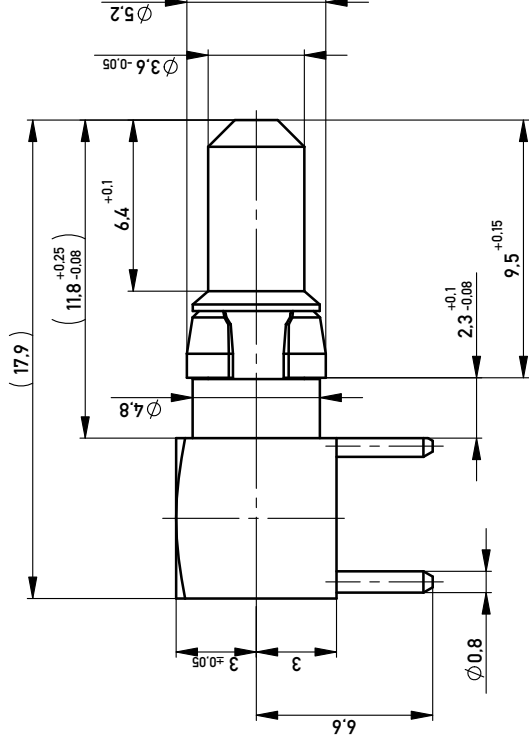
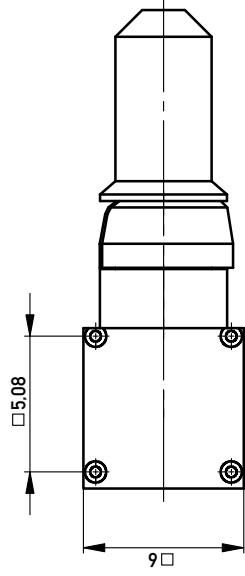




THE DATASHEET OF
594168-E





Masse nur informativ
keine Prüfläne erstellen.

Technical Data:

Insertion/withdrawal force p

Mechanical operations:

Contact resistance:

Operation Temperature:

Solder temperature:

Suitable assembly process:

RoHS compliance:

Designed for use with:

Packaging:

Packaging unit:

Marking of packaging:

Current capacity:



Missing informations
and dimensions
see at DIN 41626

Information:		Title	
All rights reserved. Only for information. To ensure that this is the latest version of this drawing, please contact one of the ERNI companies before using.		Subject	
Copyright by ERNI GmbH Proprietary notice pursuant to ISO 16016 to be observed		Drawing	
L	19.07.2013	Date	
Index			



Looking for pricing, stock, or lifecycle information?

Click below to explore more details on WIN SOURCE:

-  [View 594168-E on WIN SOURCE](#)
-  [TE Connectivity Information](#)

Optimize Your Supply Chain with WIN SOURCE Solutions

-  Global Sourcing Solution
-  Obsolete Management
-  Cost Control Management
-  Shortage Management
-  Alternative Solution
-  Excess Inventory Management