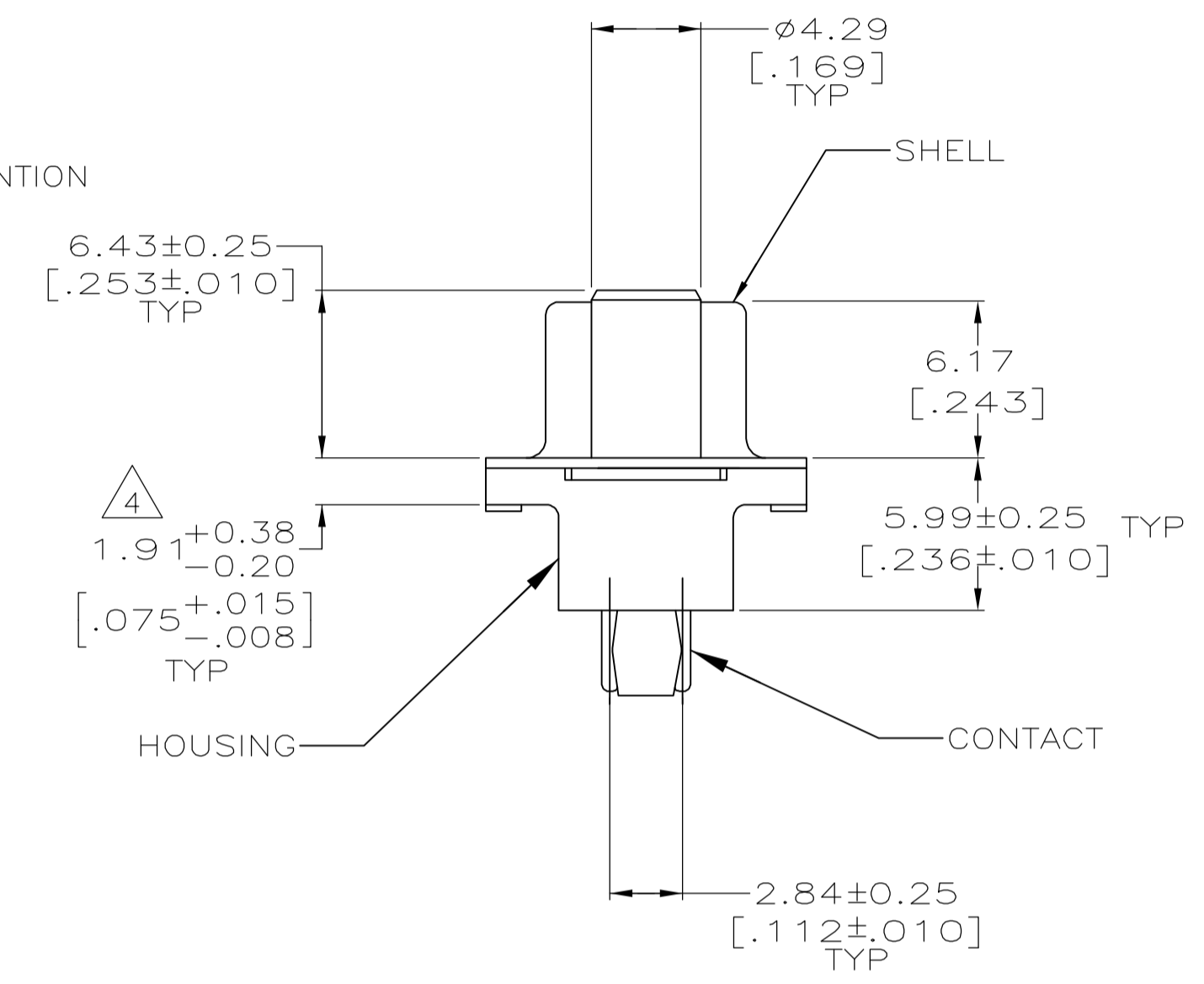
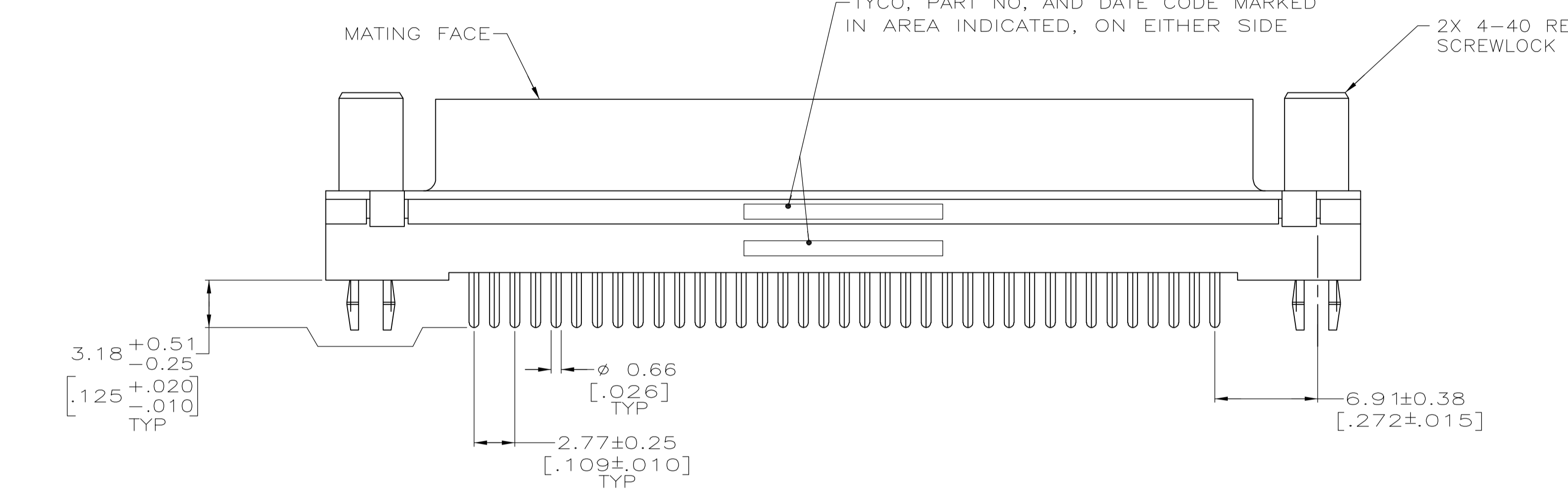
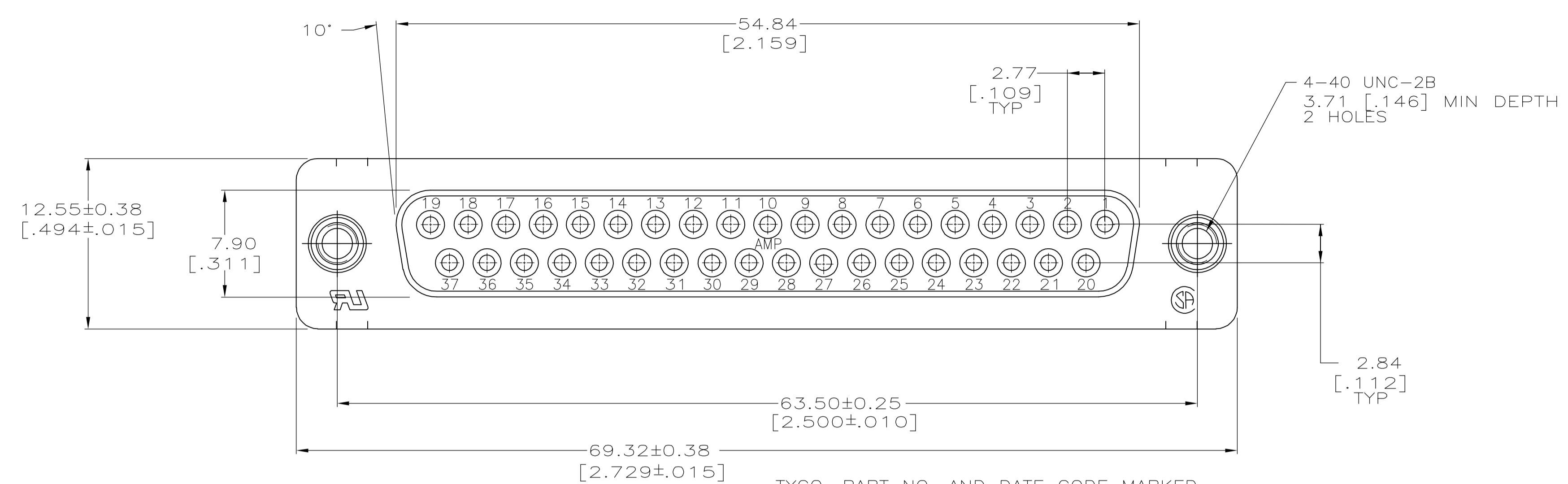
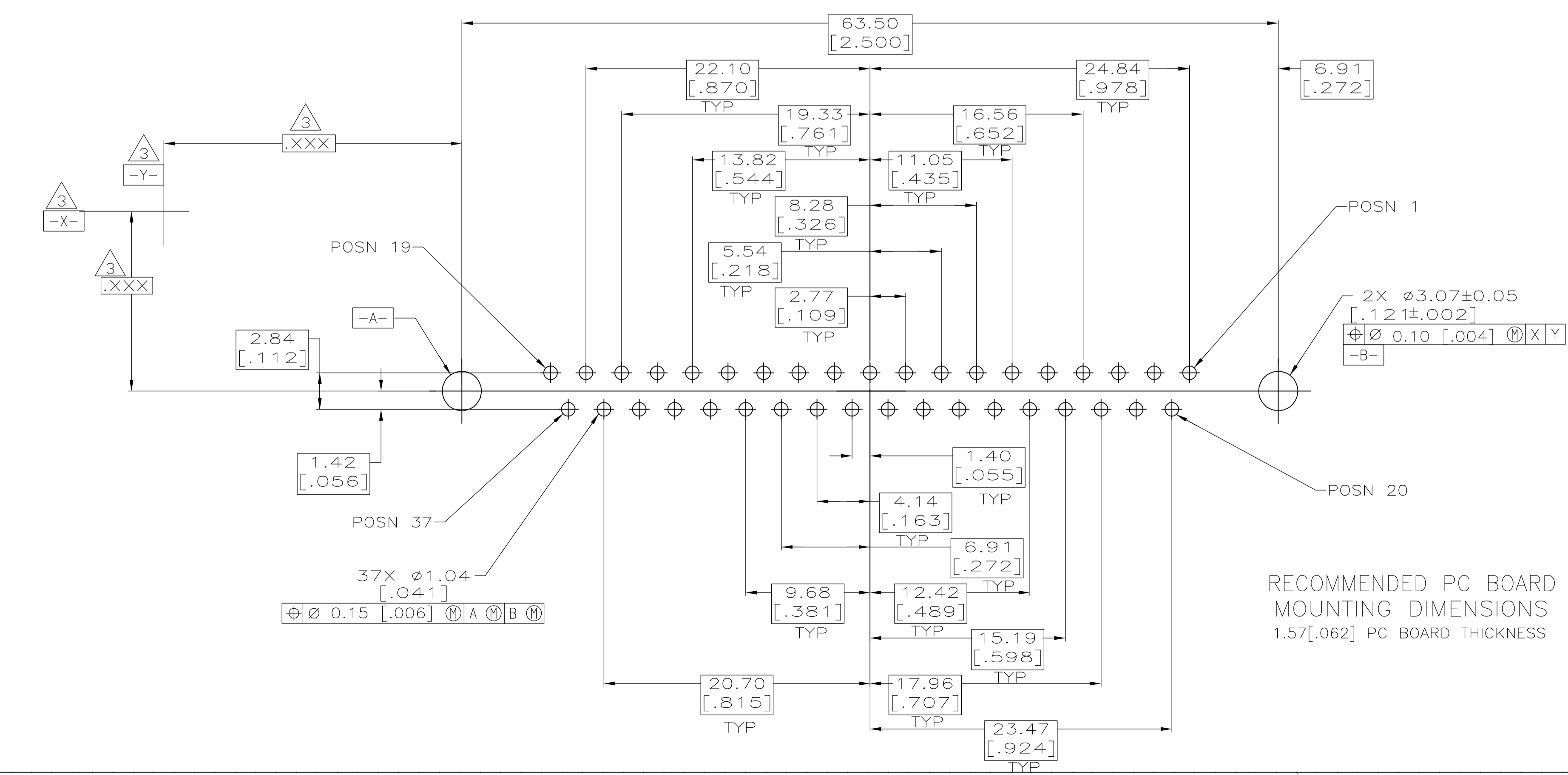


LOC		DIST		REVISIONS			
GP	00	REV	DATE	BY	APPV		
A	REL PER EC 0513-0043-05		03OCT05	BL	JG		



- 1 HOUSING: POLYESTER, UL 94V-0 RATED, COLOR BLACK.
CONTACTS: PHOSPHOR BRONZE.
RETENTION SCREWLOCKS: BRASS.
SHELL: CARBON STEEL.
- 2 SHELL: 5.08μm [.000200] MIN TIN OVER 2.54μm [.000100] MIN COPPER.
CONTACTS: 0.76μm [.000030] MIN GOLD FOR A LENGTH OF 1.40 [.055] MIN FROM MATING END, 2.54μm [.000100] MIN TIN ON OPPOSITE END, BOTH OVER 1.27μm [.000030] MIN NICKEL OVER COPPER FLASH.
RETENTION SCREWLOCKS: 2.54μm [.000100] MIN TIN OVER 1.27μm [.000050] MIN NICKEL OVER COPPER FLASH.
- 3 DATUMS AND BASIC DIMENSIONS ESTABLISHED BY CUSTOMER.
- 4 2.79 [.110] MAX IN SHELL TAB CLINCH AREAS.



RECOMMENDED PC BOARD MOUNTING DIMENSIONS
1.57 [.062] PC BOARD THICKNESS

5787685-1
PART NUMBER

THIS DRAWING IS A CONTROLLED DOCUMENT.		DWG: B. LATTUCA	03OCT05	Tyco Electronics Corporation Harrisburg, PA 17105-3608
DIMENSIONS: mm [INCHES]		CHK: S. BOLASH	03OCT05	
TOLERANCES UNLESS OTHERWISE SPECIFIED:		APPV: M. WALMSLEY	03OCT05	NAME: RECEPTACLE ASSEMBLY, SIZE 4, 37 POSITION, FRONT METAL SHELL, RETENTION SCREWLOCKS, AMPLIMITE HD-20 PRODUCT SPEC: 108-40025 APPLICATION SPEC: 114-40023 SIZE: A1 CAGE CODE: 00779 DRAWING NO: 5787685 WEIGHT: - CUSTOMER DRAWING: -
0 PLC ± -		FINISH: 2		
1 PLC ± -		SCALE: 4:1		
2 PLC ± 0.13 [.005]		SHEET 1 OF 1		
3 PLC ± -		REV A		
4 PLC ± -				
ANGLES ± -				

Looking for pricing, stock, or lifecycle information?

Click below to explore more details on WIN SOURCE:

[View 5787685-1 on WIN SOURCE](#)

[TE Connectivity Information](#)

Optimize Your Supply Chain with WIN SOURCE Solutions

- ✓ Global Sourcing Solution
- ✓ Obsolete Management
- ✓ Cost Control Management
- ✓ Shortage Management
- ✓ Alternative Solution
- ✓ Excess Inventory Management