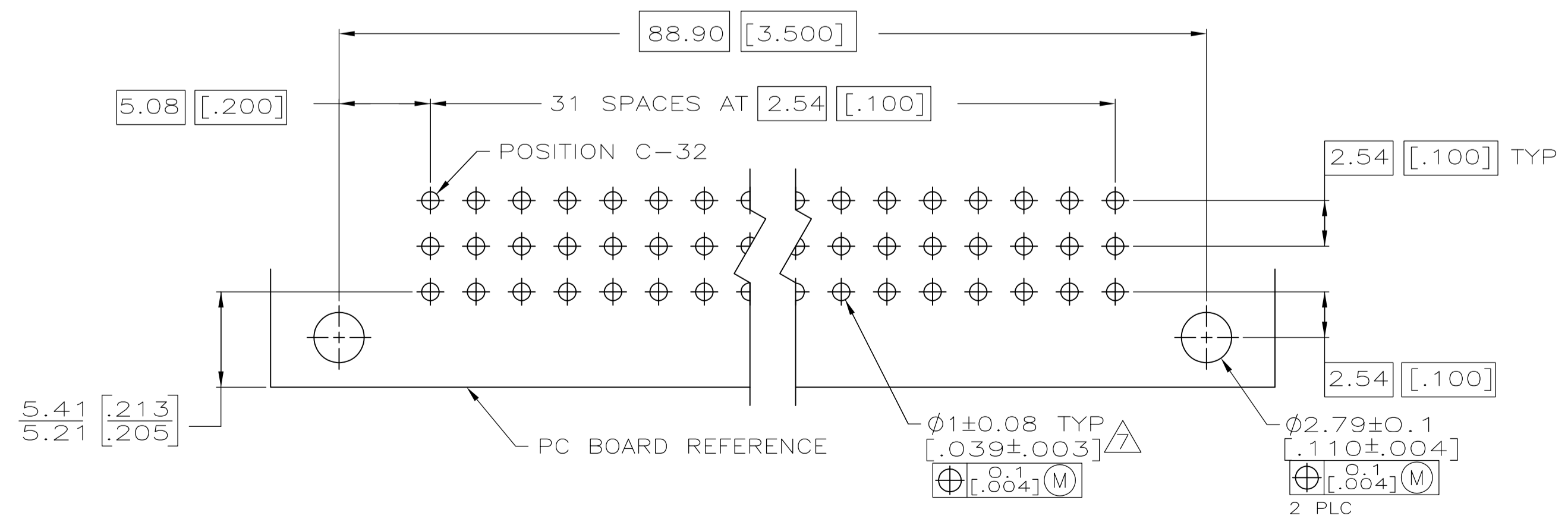
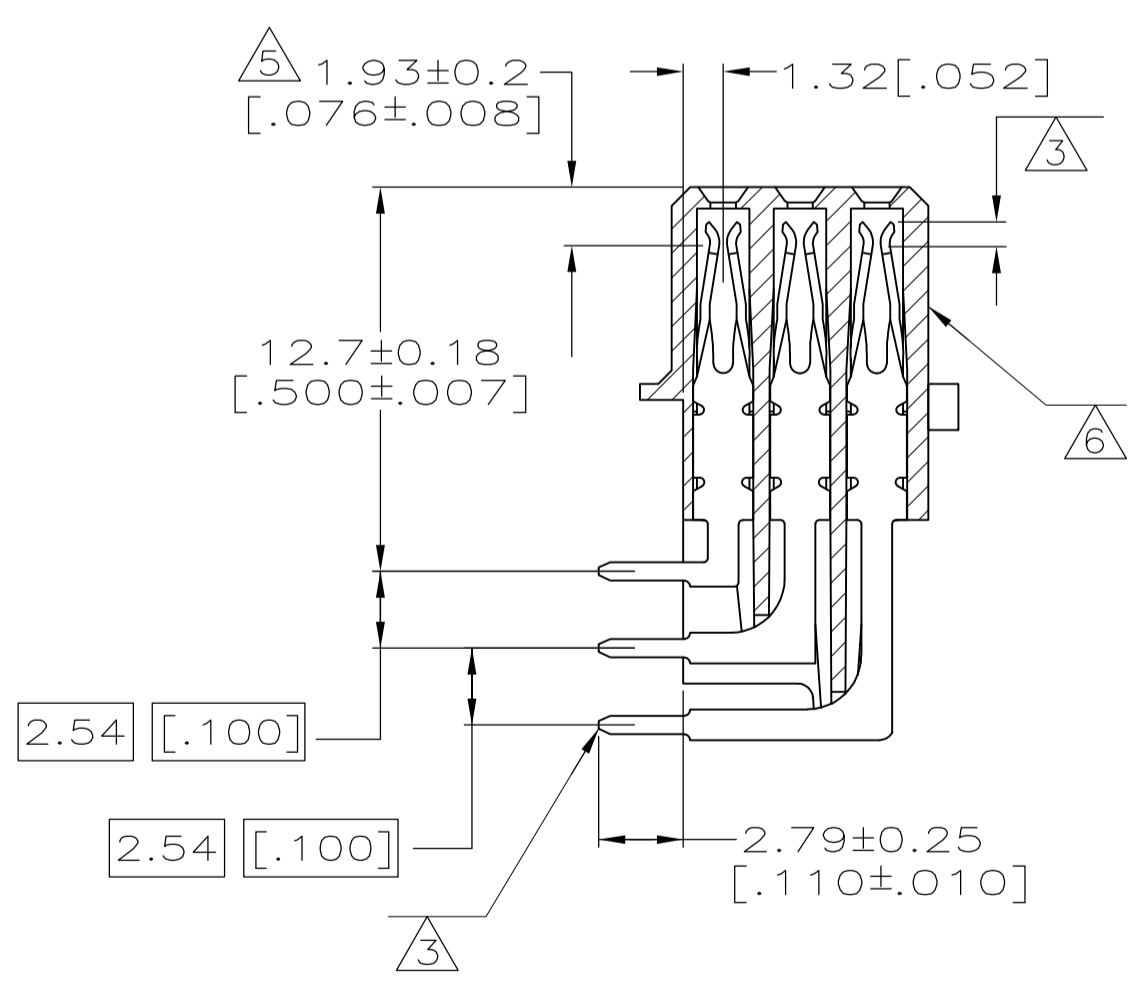
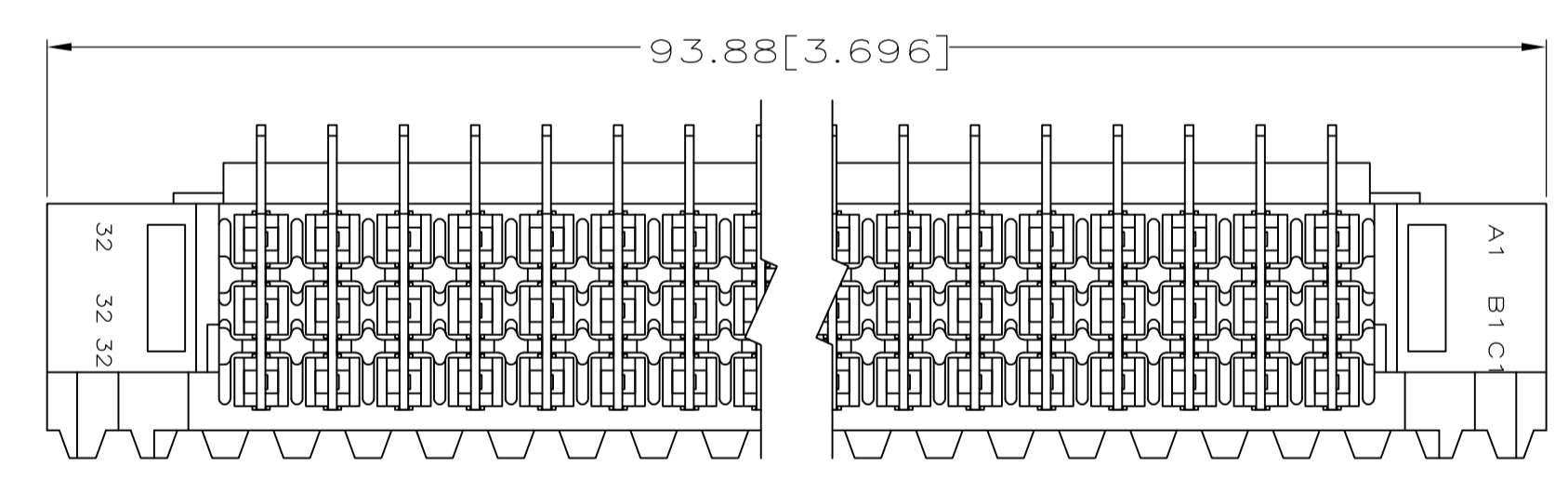
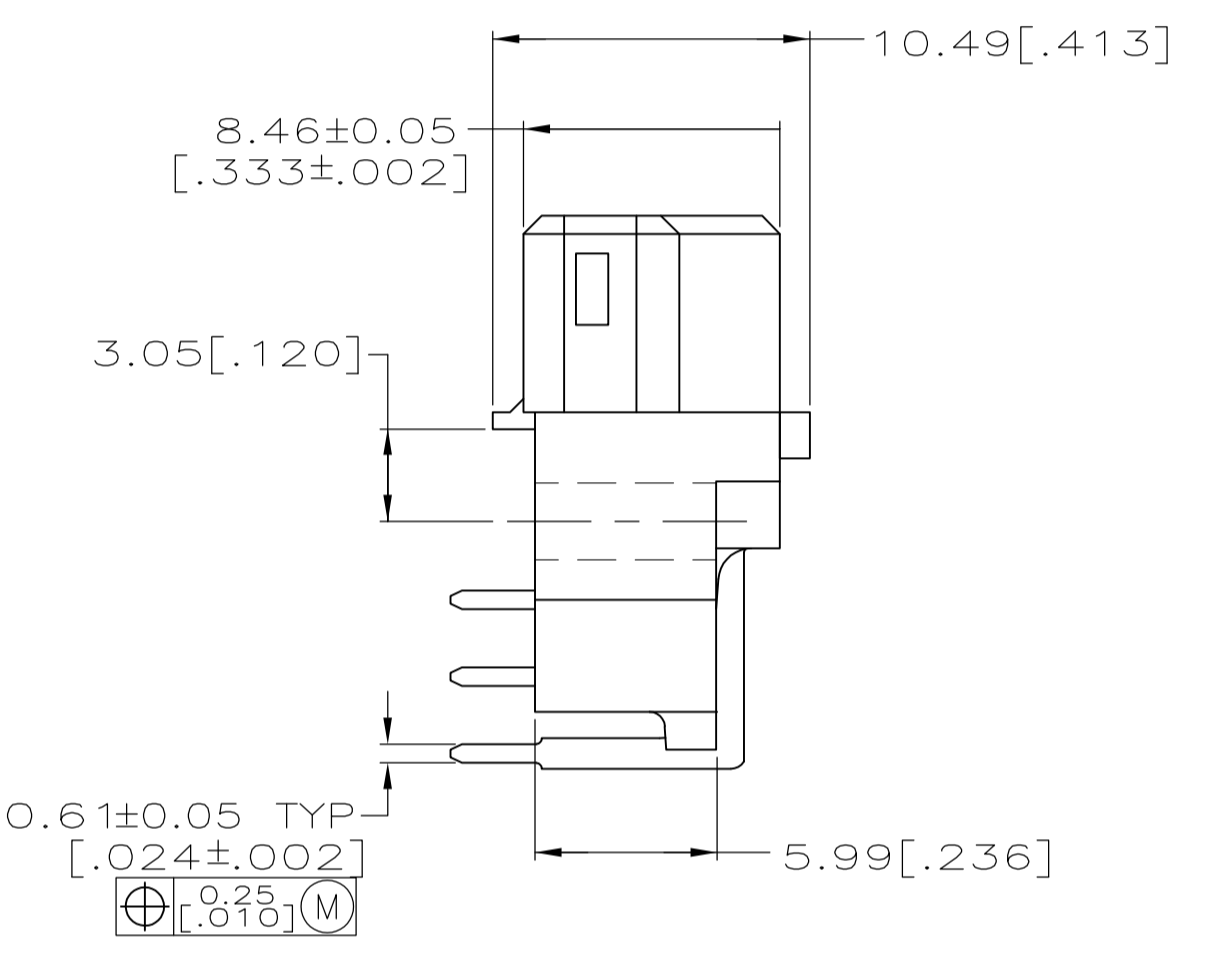
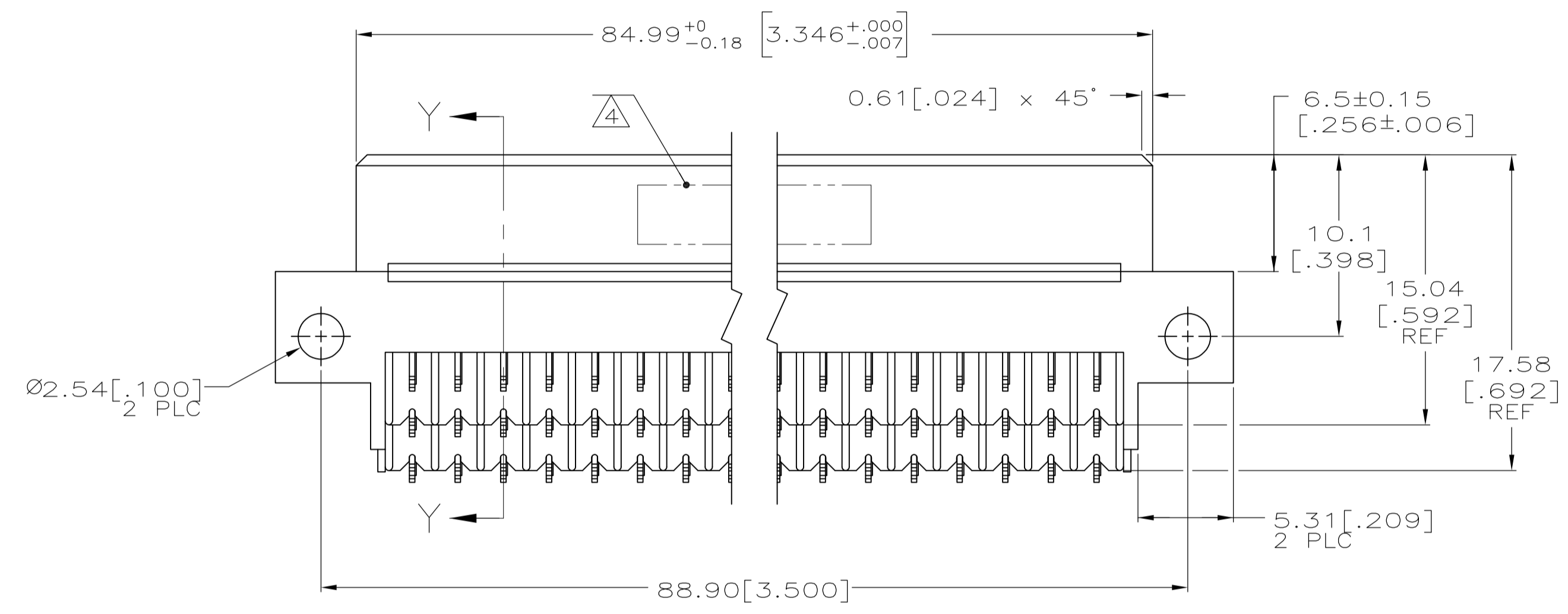
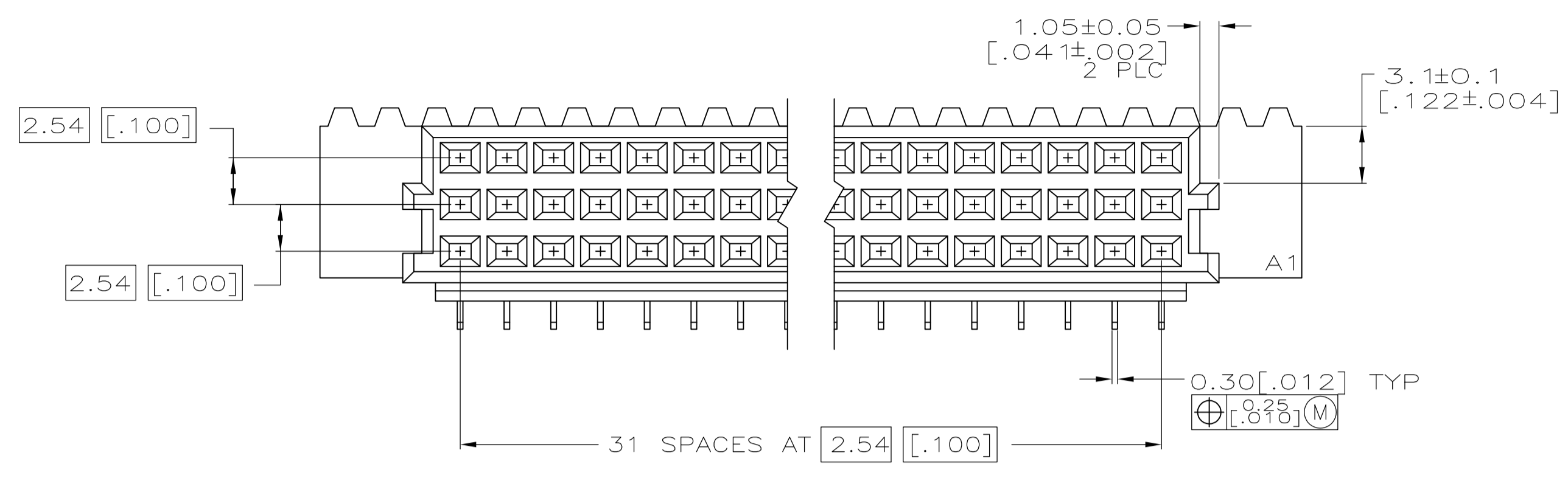




THE DATASHEET OF
5650461-5





- △ HOUSING MATERIAL: GLASS-FILLED POLYMER.
- △ CONTACT MATERIAL: COPPER ALLOY.
- △ CONTACT FINISH: DIN 41612 CLASS 2 IN CONTACT AREA. TIN PLATE ON POSTS.
- △ PART NUMBER, DATE CODE IDENTIFICATION, CSA LOGO, THIS APPROXIMATE AREA.
- △ CONTACT POINT.
- △ MARKING ON THIS SIDE.
- △ RECOMMENDED HOLE SIZE FOR MANUAL APPLICATION OF CONNECTOR ONTO PC BOARD.

1 THRU 32	X	X	X	96	5650461-5
1 THRU 32	X	X	X	96	5650461-4
POSITIONS LOADED	C	B	A	NO. OF LOADED POSITIONS	ASSY PART NUMBER

THIS DRAWING IS A CONTROLLED DOCUMENT.

DIMENSIONS: mm [INCHES]	TOLERANCES UNLESS OTHERWISE SPECIFIED:	DIN J. POLIGNONE 03JUN05	DRW A. SHARPE 03JUN05	NAME ASSEMBLY, RECEPTACLE, EUROCARD, TYPE R, LEAD-FREE, 96 POSITION, 2.79[.110] SOLDER POSTS
\varnothing	0 PLC ± -	APVD A. SHARPE 03JUN05	PRODUCT SPEC	SIZE A1
\varnothing	1 PLC ± -	APPLICATION SPEC	RESTRICTED TO	SCALE 4:1
\varnothing	2 PLC ± 0.13[.005]	WEIGHT	SCALE 4:1	SHEET 1 of 1
\varnothing	3 PLC ± -	CUSTOMER DRAWING	SCALE 4:1	REV P
\varnothing	4 PLC ± -			
ANGLES	± -			
MATERIAL	FINISH			

STE TE Connectivity

00779 ©=5650461

Looking for pricing, stock, or lifecycle information?

Click below to explore more details on WIN SOURCE:

 [View 5650461-5 on WIN SOURCE](#)

 [TE Connectivity](#) Information

Optimize Your Supply Chain with WIN SOURCE Solutions

-  Global Sourcing Solution
-  Obsolete Management
-  Cost Control Management
-  Shortage Management
-  Alternative Solution
-  Excess Inventory Management