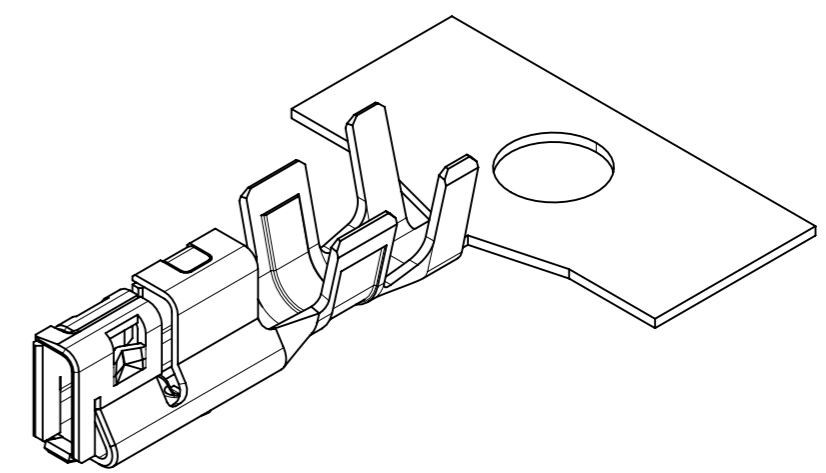
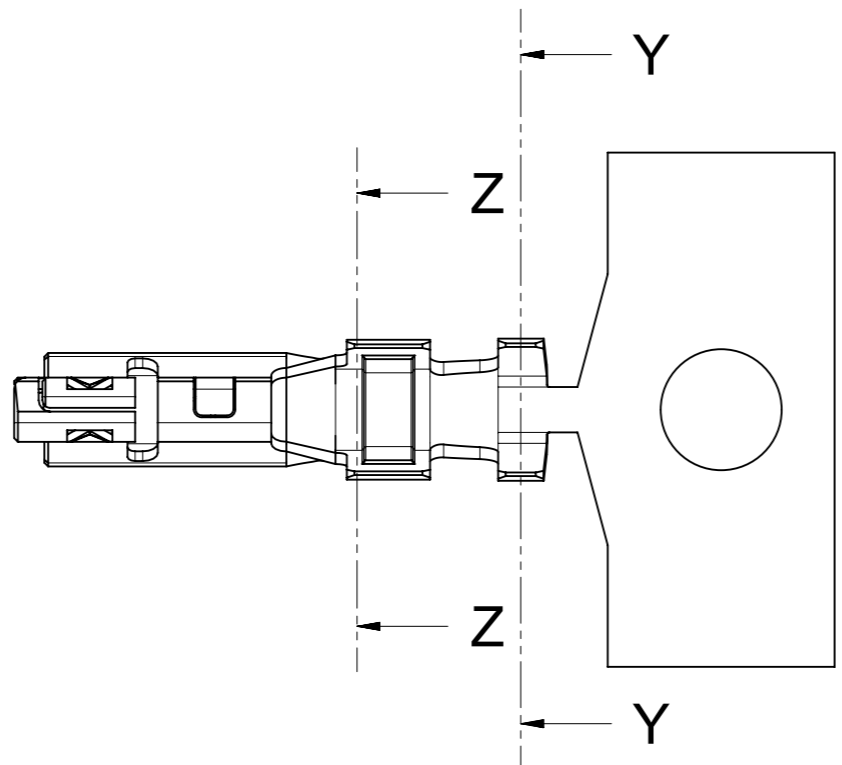




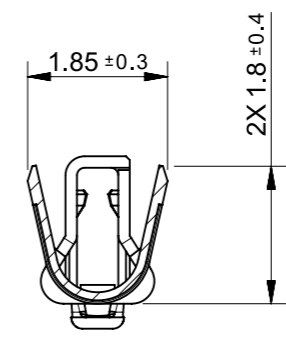
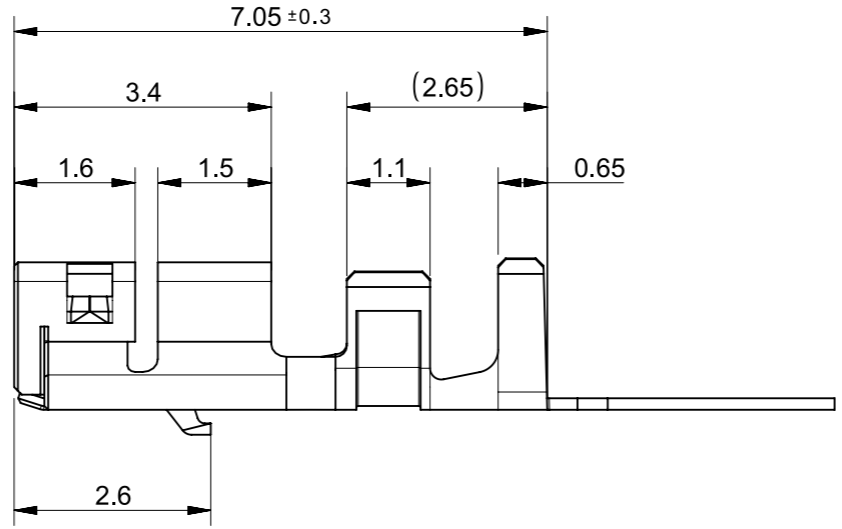
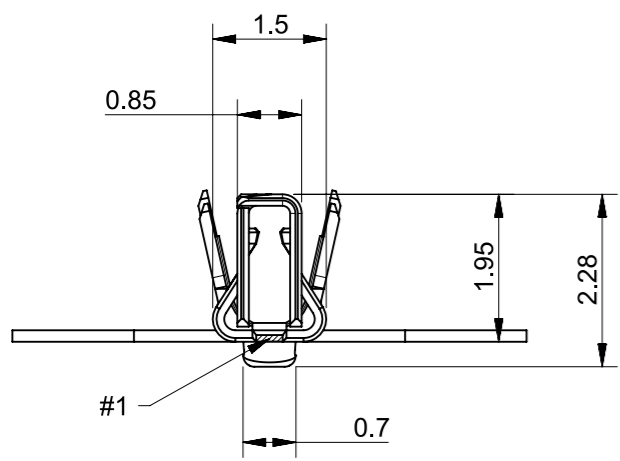
**THE DATASHEET OF**  
**5601240131**



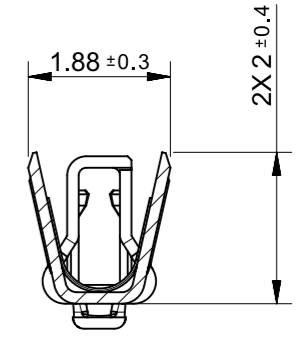
GENERAL TOLERANCE									USED ON	
10 MAX	30 MAX	50 MAX	70 MAX	100 MAX	120 MAX	250 MAX	250 OVER	ANGLE		ECCENT
±0.15	±0.20	±0.30	±0.40	±0.50	±0.75	±0.90	±1.4	±0.5°	0.1	



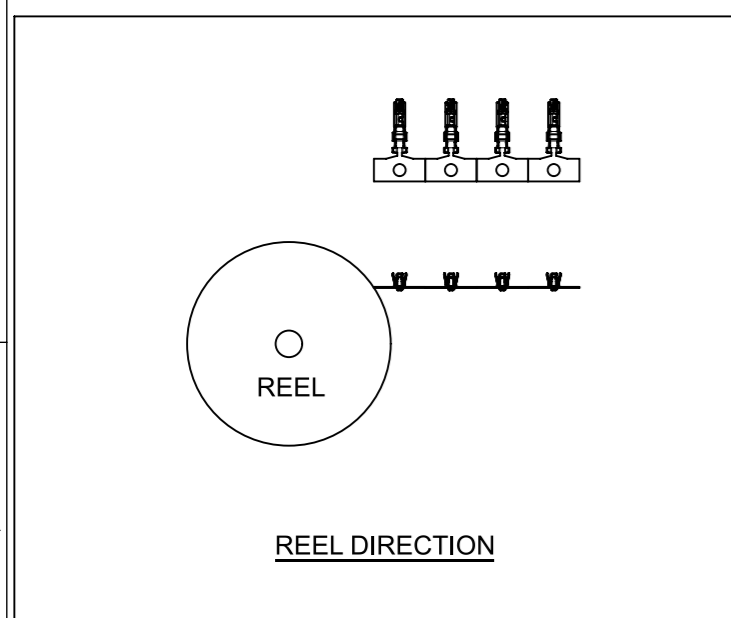
ISO VIEW



SECTION Z-Z



SECTION Y-Y



- NOTES:
1. MATERIALS : CORSON ALLOY, 0.15T
  2. APPLICABLE HOUSING : 560123 SERIES
  3. APPLICABLE WIRE : SEE CS-560124-001
  4. GENERAL TOLERANCE : SEE TABLE
  5. ELV AND RoHS COMPLIANT
  6. PRODUCT SPECIFICATION : PS-5601240131
  7. PACKING SPECIFICATION : PK-560124-001
  8. CRIMP SPECIFICATION : CS-560124-001
  9. PLATING : (CONTACT AREA) SEPARATED Au PLATING 0.2um MIN.  
(UNDERPLATE) NICKEL OVERALL 1.5um MIN.  
(UNPLATE) AREA #1

ORDER NO.	MATERIAL NO.
560124-0131	5601240131

SYMBOLS		THIS DRAWING CONTAINS INFORMATION THAT IS PROPRIETARY TO MOLEX ELECTRONIC TECHNOLOGIES, LLC AND SHOULD NOT BE USED WITHOUT WRITTEN PERMISSION		CURRENT REV DESC: PCN 513486		<b>molex</b>	
▽ = 0	mm	SCALE	10:1	EC NO:			
▽ = 0	GENERAL TOLERANCES (UNLESS SPECIFIED)		DRWN: Seon Ah Kim		20-Oct-2023	DURACLIC ISL SERIES (GOLD PLATING)	
▽ = 0	ANGULAR TOL ± 0.5°		CHK'D: Seon Ah Kim		20-Oct-2023	PRODUCT SALES DRAWING	
▽ = 0	4 PLACES	± 0	APPR: Takashi Iida		24-Oct-2023	DOCUMENT NUMBER	
▽ = 0	3 PLACES	± 0	INITIAL REVISION:		SD-560124-002		
▽ = 0	2 PLACES	± 0	DRWN: RFC_PLMIMP		DOC TYPE DOC PART REVISION		
▽ = 0	1 PLACE	± 0	APPR:		PSD 001 B		
▽ = 0	0 PLACES	± 0	DRAFT WHERE APPLICABLE MUST REMAIN WITHIN DIMENSIONS		MATERIAL NUMBER		SHEET NUMBER
▽ = 0	THIRD ANGLE PROJECTION		DRAWING		SERIES	CUSTOMER	GENERAL MARKET
▽ = 0	A3-SIZE		560124		1 OF 1		

## Looking for pricing, stock, or lifecycle information?

Click below to explore more details on WIN SOURCE:

 [View 5601240131 on WIN SOURCE](#)

 [Molex, LLC Information](#)

## Optimize Your Supply Chain with WIN SOURCE Solutions

-  Global Sourcing Solution
-  Obsolete Management
-  Cost Control Management
-  Shortage Management
-  Alternative Solution
-  Excess Inventory Management