

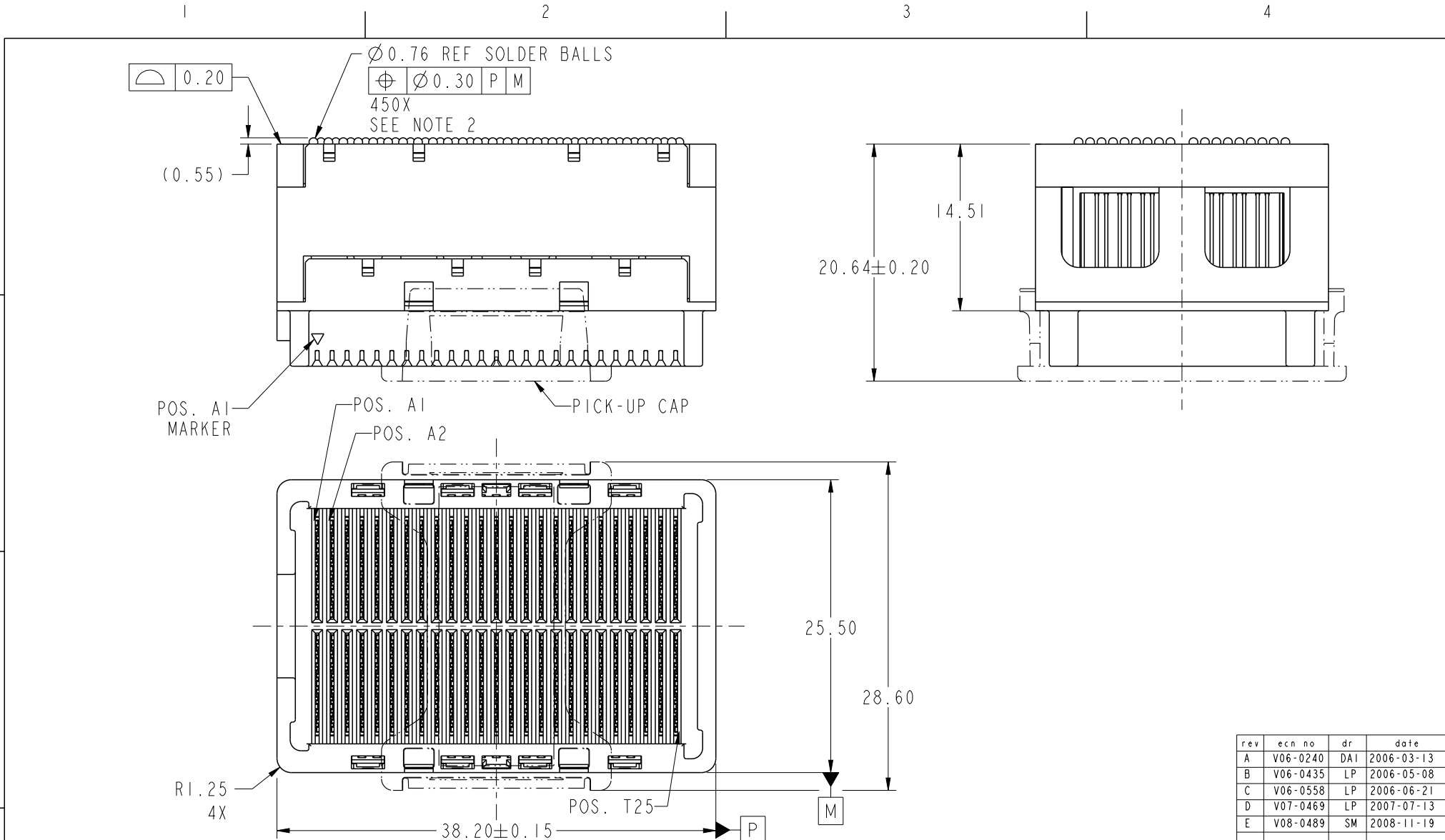


**THE DATASHEET OF**  
**55741-001LF**





Copyright FCI.



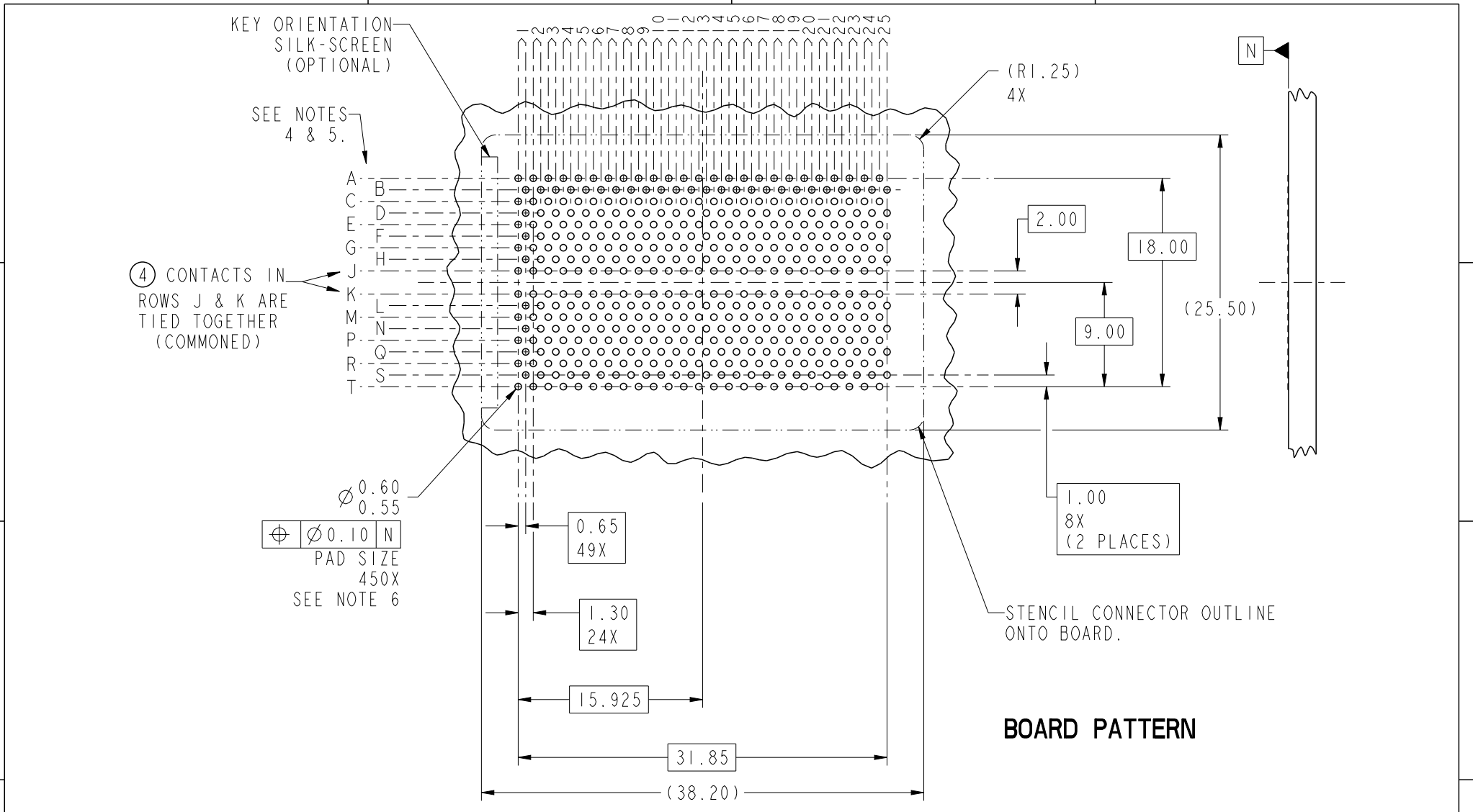
rev	ecn no	dr	date
A	V06-0240	DAI	2006-03-13
B	V06-0435	LP	2006-05-08
C	V06-0558	LP	2006-06-21
D	V07-0469	LP	2007-07-13
E	V08-0489	SM	2008-11-19

spec ref	-	dr	Bill Lin	2010/02/02	projection	mm	size	A4	scale	21:10											
tolerance std	ASME Y14.5	eng	Nickor Zuo	2011/06/09			ecn no	ELX-DG-003943-1													
	TOLERANCES UNLESS OTHERWISE SPECIFIED	chr	Alex Cao	2011/06/24				product family	GIG-Array		rel level	Released									
surface	<table border="1"> <tr> <td>linear</td> <td>0.X</td> <td><math>\pm 0.30</math></td> </tr> <tr> <td></td> <td>0.XX</td> <td><math>\pm 0.10</math></td> </tr> <tr> <td></td> <td>0.XXX</td> <td><math>\pm 0.05</math></td> </tr> <tr> <td>angular</td> <td>0°</td> <td><math>\pm 2^\circ</math></td> </tr> </table>	linear	0.X	$\pm 0.30$		0.XX	$\pm 0.10$		0.XXX	$\pm 0.05$	angular	0°	$\pm 2^\circ$	appr	Pei-Ming Zheng	2011/06/27	product family	GIG-Array		rel level	Released
linear	0.X	$\pm 0.30$																			
	0.XX	$\pm 0.10$																			
	0.XXX	$\pm 0.05$																			
angular	0°	$\pm 2^\circ$																			
				title	GIG-Array			dwg no	55741	rev	F										
		www.fci.com		cat. no.	Product - Customer Drw			sheet 1 of 5													

ProjE File - REV C - 2009-06-09



Copyright FCI.

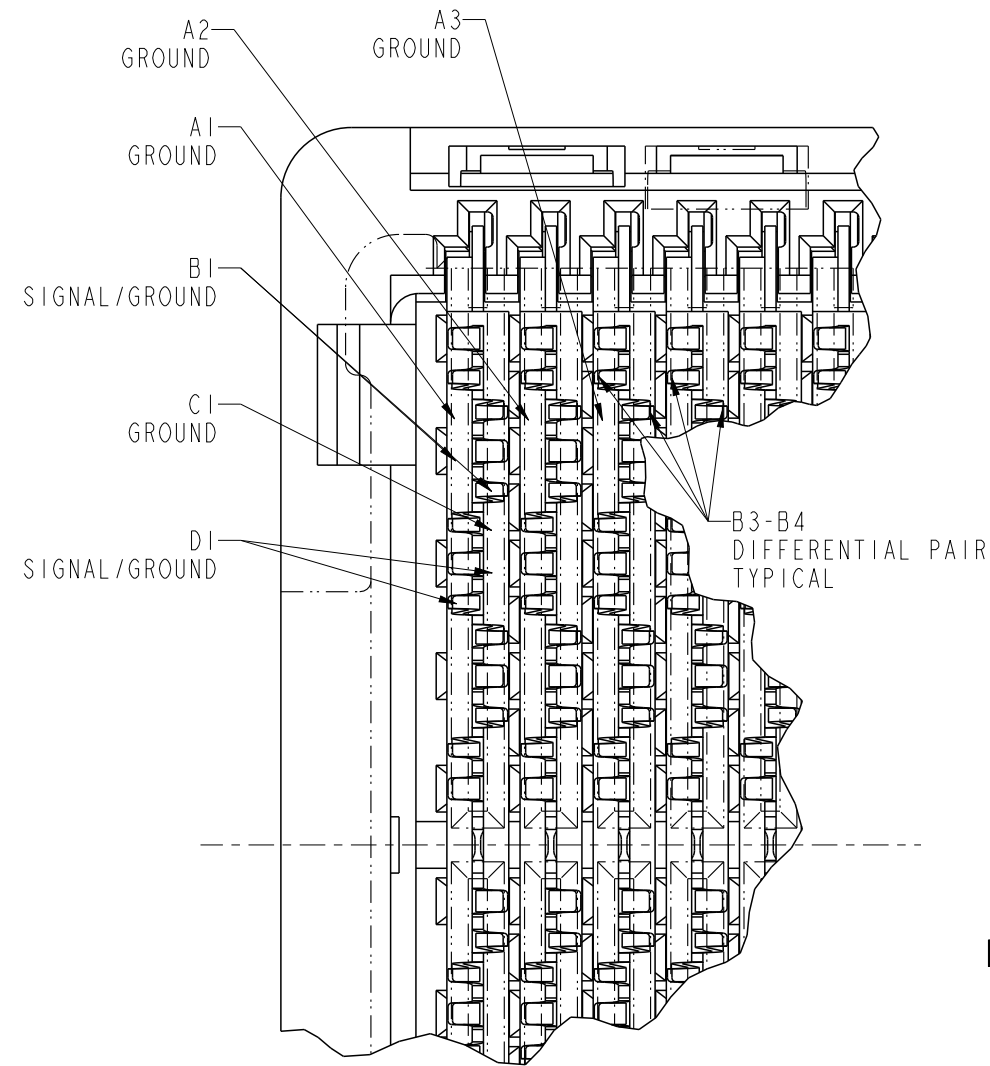


spec ref	-	dr	Bill Lin	2010/02/02	projection	mm	size	A4	scale	21:10												
tolerance std	ASME Y14.5	eng	Nickor Zuo	2011/06/09			ecn no				ELX-DG-003943-1											
TOLERANCES UNLESS OTHERWISE SPECIFIED		chr	Alex Cao	2011/06/24			rel level					Released										
surface	<table border="1"> <tr><td>linear</td><td>0.X</td><td>±0.30</td></tr> <tr><td></td><td>0.XX</td><td>±0.10</td></tr> <tr><td></td><td>0.XXX</td><td>±0.05</td></tr> <tr><td>angular</td><td>0°</td><td>±2°</td></tr> </table>	linear	0.X	±0.30				0.XX	±0.10		0.XXX	±0.05	angular	0°	±2°	appr	Pei-Ming Zheng	2011/06/27	product family		GIG-Array	
linear	0.X	±0.30																				
	0.XX	±0.10																				
	0.XXX	±0.05																				
angular	0°	±2°																				
					title GIG-Array 15mm RECP. ASSY. 200 SIG. POS.			dwg no 55741		sheet 2 of 5												
		www.fci.com			cat. no.			Product - Customer Drw		sheet 2 of 5												

PrdE File - REV C - 2009-06-09



Copyright FCI.

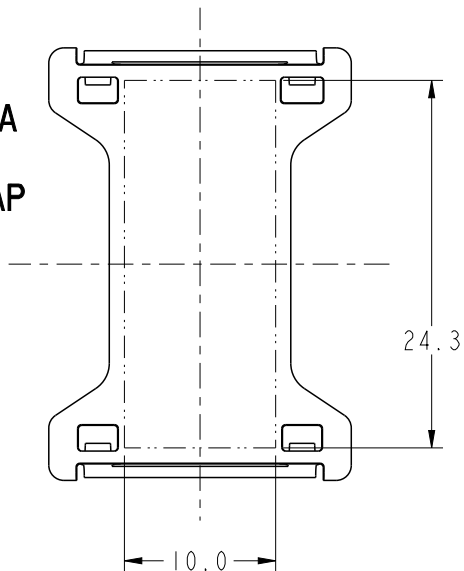


### RECEPTACLE INTERFACE DESCRIPTION

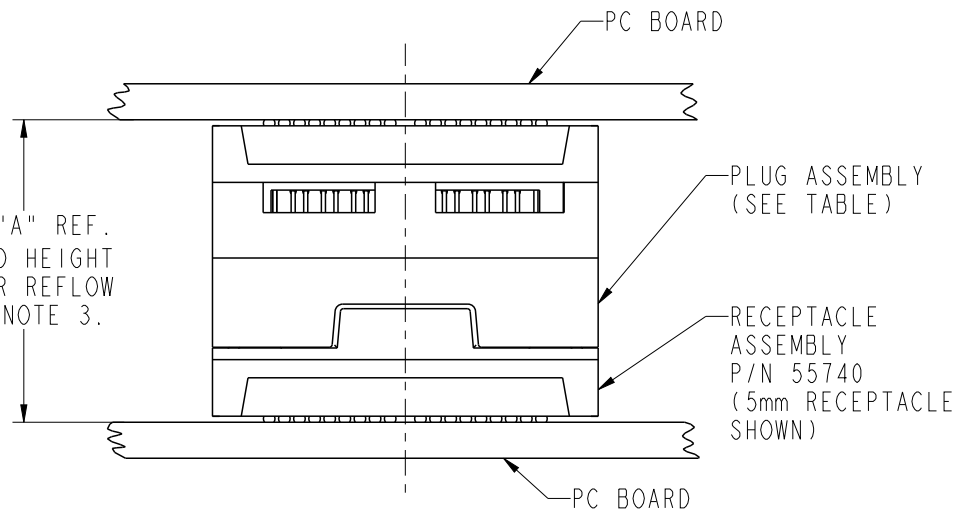
spec ref		-		dr	Bill Lin	2010/02/02	projection 	mm 	size	A4	scale	21:10
tolerance std		TOLERANCES UNLESS OTHERWISE SPECIFIED		eng	Nickor Zuo	2011/06/09			ecn no	ELX-DG-003943-1		
ASME Y14.5				chr	Alex Cao	2011/06/24			rel level	Released		
-				appr	Pei-Ming Zheng	2011/06/27	product family		GIG-Array			
surface	✓	linear	0.X	±0.30		title GIG-Array 15mm RECP. ASSY. 200 SIG. POS.	dwg no 55741	rev F				
			0.XX	±0.10								
			0.XXX	±0.05								
-		angular	0°	±2°	www.fci.com	cat. no.	Product - Customer Drw		sheet 3 of 5			

ProjE File - REV C - 2009-06-09

**FLAT AREA FOR PICK-UP CAP**  
SCALE 2:1



DIM "A" REF. MATED HEIGHT AFTER REFLOW SEE NOTE 3.



**END VIEW OF MATED CONNECTORS**  
SCALE 2:1

DIM. "A"	PLUG ASSEMBLY P/N
25	55737
27	10026802
28	10055142
30	55738
35	55739
40	10054783



Copyright FCI.

spec ref -		dr <b>Bill Lin</b> 2010/02/02		projection 	mm 	size A4	scale 1:10	
tolerance std ASME Y14.5	TOLERANCES UNLESS OTHERWISE SPECIFIED					eng <b>Nickor Zuo</b> 2011/06/09	ecn no ELX-DG-003943-1	
						chr <b>Alex Cao</b> 2011/06/24	rel level <b>Released</b>	
surface		appr <b>Pei-Ming Zheng</b> 2011/06/27	product family GIG-Array		rev 55741		rev <b>F</b>	
	linear	0.X ±0.30		title GIG-Array 15mm RECP. ASSY. 200 SIG. POS.		Product - Customer Drw		sheet 4 of 5
		0.XX ±0.10						
		0.XXX ±0.05						
	angular	0° ±2°	www.fci.com	cat. no.				

PRODUCT NUMBER	SOLDER BALL COMPOSITION	CONTACT PLATING PERFORMANCE LEVEL
55741-001	STANDARD (EUTECTIC)	PERFORMANCE-BASED PLATING, QUALIFIED TO MEET THE REQUIREMENTS OF FCI PRODUCT SPECIFICATION GS-12-192, INCLUDING TELCORDIA CENTRAL OFFICE  Au over Ni
55741-001LF	LEADFREE	
55741-201	STANDARD (EUTECTIC)	
55741-201LF	LEADFREE	

NOTES:

- ①. MATERIAL:  
HOUSING: LCP  
CONTACT: COPPER ALLOY  
PLATING (CONTACT): Au OVER Ni.  
UL RATING: 94 V-0  
SOLDER BALL: (SEE TABLE) EUTECTIC SnPb OR LEAD FREE 95.5 Sn/4Ag/0.5Cu.
- ②. SOLDER BALLS WILL NOT BE PERFECT SPHERICAL SHAPE DUE TO REFLOW ATTACHMENT.
- ③. MATED HEIGHT EFFECTED BY CUSTOMERS' PCB PAD SIZE, PLATING, SOLDER REFLOW PROFILE & SOLDER PASTE.
- ④. CONTACTS IN ROWS A, C, E, G, J, K, M, P, R AND T ARE SINGLE BEAM CONTACTS, USED AS GROUND PINS.  
(NOTE: CONTACTS IN ROWS J & K ARE TIED TOGETHER [COMMONED])
- ⑤. CONTACTS IN ROWS B, D, F, H, L, N, Q AND S ARE DUAL BEAM CONTACTS, TYPICALLY USED AS SIGNAL PINS.

NOTES:

- ⑥. SPECIFIED POSITIONAL TOLERANCE DEFINES PAD TO PAD LOCATION WITHIN LAND PATTERN. POSITIONAL TOLERANCE OF LAND PATTERN TO FUDICIAL MARKS OR PCB DATUMS SHALL BE DEFINED BY CUSTOMER. FOR RECOMMENDED PRODUCT APPLICATION AND PCB DESIGN DETAILS, SEE DOC. NO. GS-20-016.
- ⑦. FOR PROPER APPLICATION FOLLOW FCI APPLICATION SPECIFICATION GS-20-033. LEAD FREE SOLDER BALLS WILL NOT SOLDER PROPERLY IN A LEADED SOLDER PROCESS DUE TO A HIGHER REFLOW TEMPERATURE. LEADFREE PRODUCT IS THEREFORE NOT BACKWARDS COMPATIBLE WITH LEADED OR SOME SOLDERING APPLICATIONS. REFERENCE FCI APPLICATION SPECIFICATION.
- ⑧. THIS PRODUCT MEETS THE EUROPEAN UNION DIRECTIVES AND OTHER COUNTRY REGULATIONS AS DESCRIBED IN GS-22-008. PRODUCT MEETING THIS DIRECTIVE IS IDENTIFIED IN THE CODE NUMBER MARKED ON EACH PART BY HAVING AN "X" IN THE SEVENTH CHARACTER POSITION.



Copyright FCI.

spec ref	-	dr	Bill Lin	2010/02/02	projection		size	A4	scale	21:10								
tolerance std	TOLERANCES UNLESS OTHERWISE SPECIFIED	eng	Nickor Zuo	2011/06/09		mm	ecn no	ELX-DG-003943-1										
ASME Y14.5		chr	Alex Cao	2011/06/24				product family	GIG-Array	rel level	Released							
-		appr	Pei-Ming Zheng	2011/06/27							surface	linear	0.X	±0.30	FCI	title	GIG-Array	dwg no
-		angular	0°	±2°				www.fci.com	cat. no.	Product - Customer Drw								

## Looking for pricing, stock, or lifecycle information?

Click below to explore more details on WIN SOURCE:

 [View 55741-001LF on WIN SOURCE](#)

 [Amphenol FCI Information](#)

## Optimize Your Supply Chain with WIN SOURCE Solutions

-  Global Sourcing Solution
-  Obsolete Management
-  Cost Control Management
-  Shortage Management
-  Alternative Solution
-  Excess Inventory Management