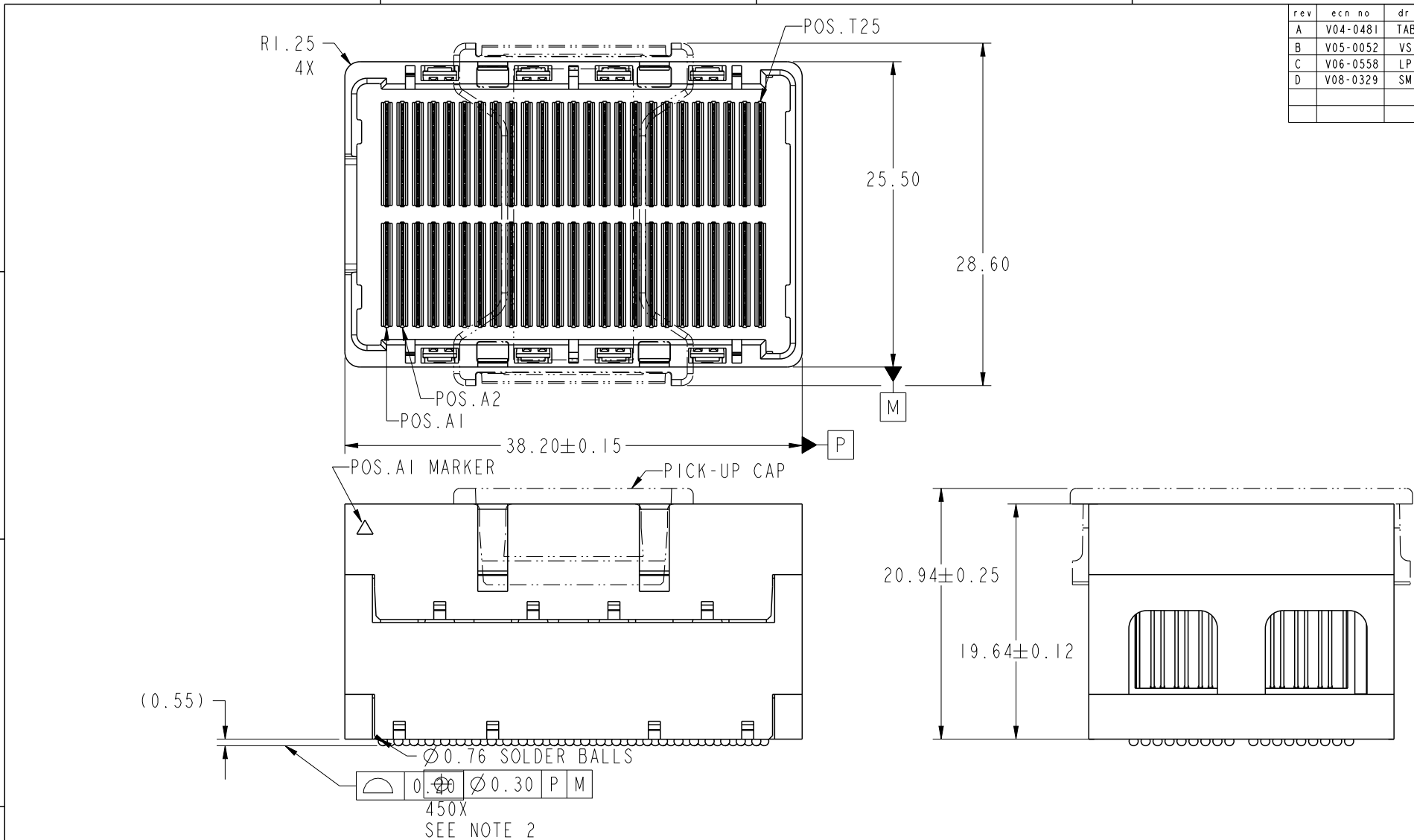




THE DATASHEET OF
55739-001LF



rev	ecn no	dr	date
A	V04-0481	TAB	2004-05-10
B	V05-0052	VS	2005-10-16
C	V06-0558	LP	2006-06-12
D	V08-0329	SM	2008-11-15



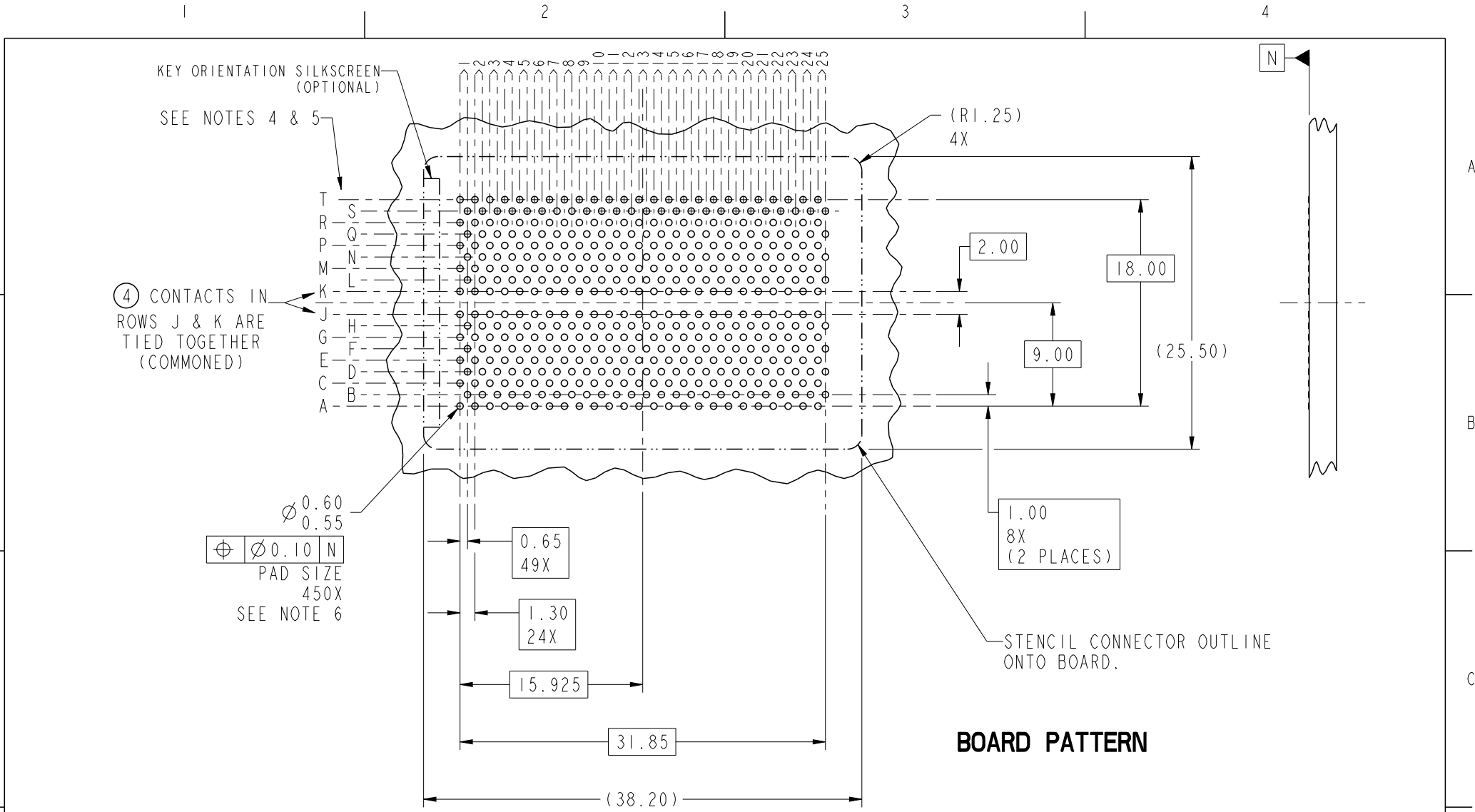
Copyright FCI.

spec ref	-	dr	Bill Lin	2010/02/02	projection 	mm 	size	A4	scale	3:10	
tolerance std	ASME Y14.5	eng	Nickor Zuo	2011/05/26			ecn no	ELX-DG-003943-1			
TOLERANCES UNLESS OTHERWISE SPECIFIED		chr	Alex Cao	2011/06/24			product family	GIG-Array		rel level	Released
		appr	Pei-Ming Zheng	2011/06/27			product family	GIG-Array		rel level	Released
surface	linear 0.X ± 0.30 0.XX ± 0.10 0.XXX ± 0.05 angular 0° $\pm 2^\circ$			title GIG-Array 20mm PLUG ASSY. 200 SIG. POS.		dwg no 55739	rev E				
		www.fci.com		cat. no.	Product - Customer Drw		sheet 1 of 5				

ProjE File - REV C - 2009-06-09



Copyright FCI.



BOARD PATTERN

spec ref		-		dr	Bill Lin	2010/02/02	projection 	mm 	size	A4	scale	21:10			
tolerance std		ASME Y14.5		eng	Nickor Zuo	2011/05/26			ecn no	ELX-DG-003943-1					
TOLERANCES UNLESS OTHERWISE SPECIFIED				chr	Alex Cao	2011/06/24			rel level	Released					
surface		✓		appr	Pei-Ming Zheng	2011/06/27	product family		GIG-Array		rev				
		linear	0.X	±0.30		title	GIG-Array		dwg no	55739		rev			
			0.XX	±0.10									20mm PLUG ASSY. 200 SIG. POS.		
			0.XXX	±0.05											
		angular	0°	±2°	www.fci.com	cat. no.	Product - Customer Drw		sheet 2 of 5						

PrdE File - REV C - 2009-06-09

1

2

3

4

A

B

C

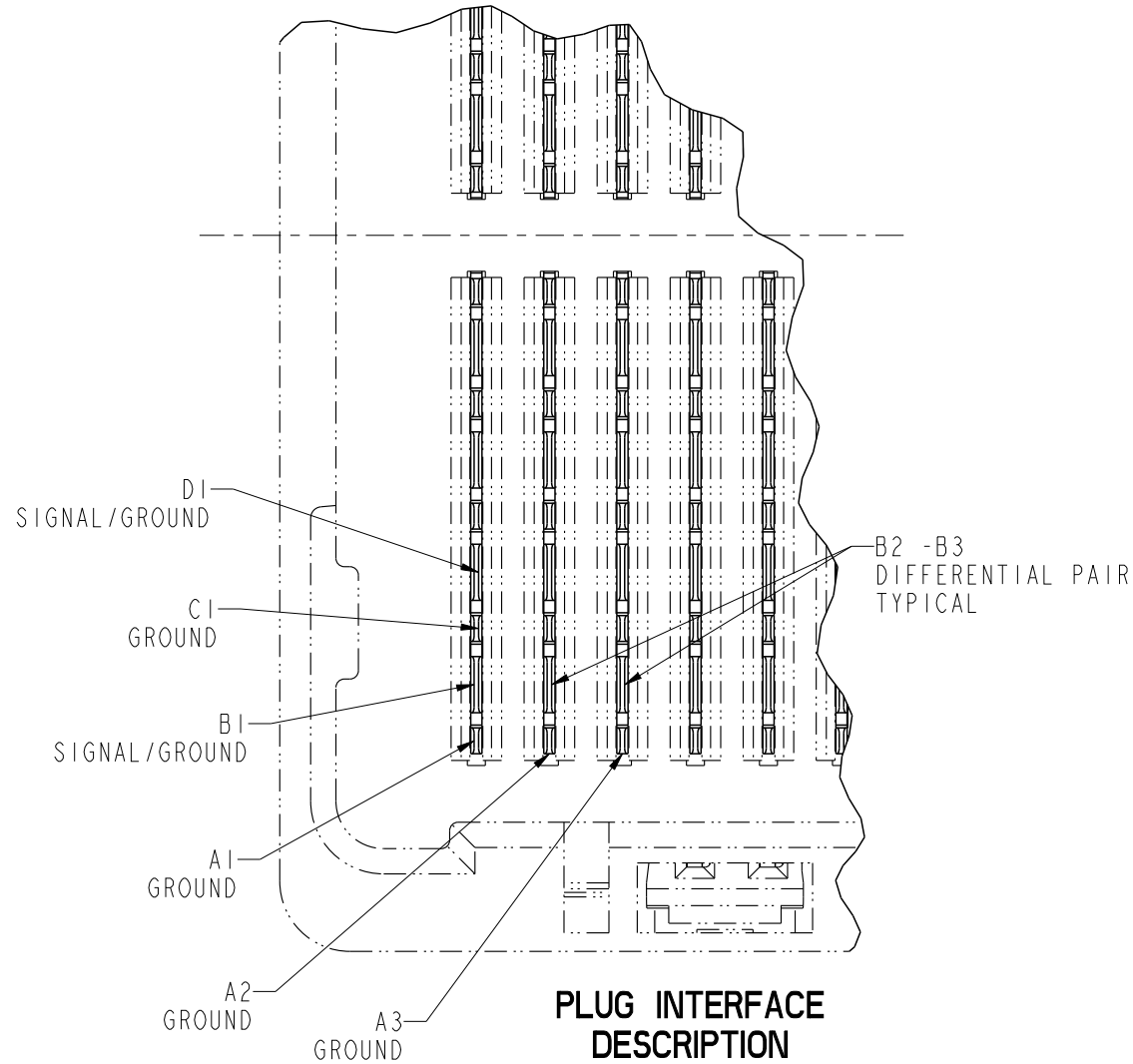
D

A

B

C

D



Copyright FCI.

spec ref	-			dr	Bill Lin	2010/02/02	projection 	mm ←→	size	A4	scale	3:10	
tolerance std	TOLERANCES UNLESS OTHERWISE SPECIFIED			eng	Nickor Zuo	2011/05/26			ecn no	ELX-DG-003943-1			
ASME Y14.5	-			chr	Alex Cao	2011/06/24			product family	GIG-Array		rel level	Released
surface	✓	linear	0.X	±0.30	FCI	title	GIG-Array	dwg no	55739	rev	E		
-		angular	0°	±2°									
www.fci.com					cat. no.			Product - Customer Drw			sheet 3 of 5		

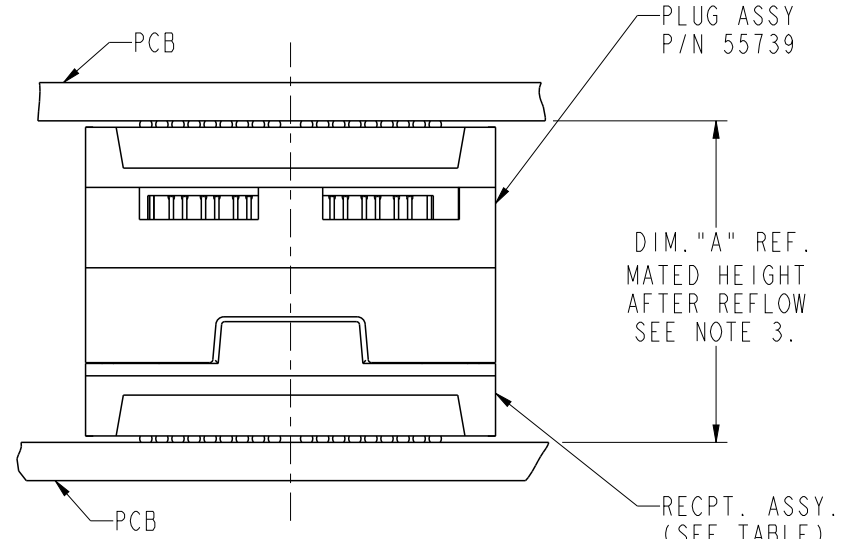
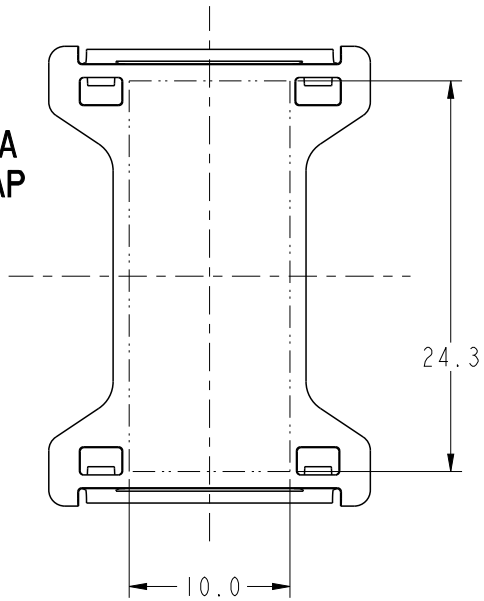
PreE File - REV C - 2009-06-09

2

3

4

**FLAT AREA
PICK-UP CAP**



END VIEW OF MATED CONNECTORS

DIM. "A"	RECPT. ASSY. P/N
25	55740
30	10026010
35	55741



Copyright FCI.

spec ref		-		dr	Bill Lin	2010/02/02	projection 	mm 	size	A4	scale	3:10		
tolerance std	ASME Y14.5	TOLERANCES UNLESS OTHERWISE SPECIFIED		eng	Nickor Zuo	2011/05/26			ecn no	ELX-DG-003943-1				
				chr	Alex Cao	2011/06/24				rel level	Released			
surface	✓	linear	0.X	±0.30	 title GIG-Array 20mm PLUG ASSY. 200 SIG. POS. www.fci.com	cat. no.	product family	GIG-Array		rel level	Released			
-	angular	0.XX	±0.10					dwg no	55739			rev	E	
		0.XXX	±0.05						Product - Customer Drw					sheet 4 of 5
-		angular	0°	±2°		Product - Customer Drw		sheet 4 of 5						

PrdE File - REV C - 2009-06-09

PRODUCT NUMBER	SOLDER BALL COMPOSITION	CONTACT PLATING PERFORMANCE LEVEL
55739-001	STANDARD (EUTECTIC)	PERFORMANCE-BASED PLATING, QUALIFIED TO MEET THE REQUIREMENTS OF FCI PRODUCT SPECIFICATION GS-12-192, INCLUDING TELCORDIA CENTRAL OFFICE
55739-001LF	LEADFREE	

NOTES:

- ① MATERIAL:
HOUSING: LCP
CONTACT: COPPER ALLOY
PLATING (CONTACT): Au OVER Ni.
UL RATING: 94 V-0
SOLDER BALL: (SEE TABLE) EUTECTIC SnPb OR LEADFREE 95.5 Sn/4Ag/0.5Cu
- ② SOLDER BALLS WILL NOT BE PERFECT SPHERICAL SHAPE DUE TO REFLOW ATTACHMENT.
- ③ MATED HEIGHT EFFECTED BY CUSTOMERS' PCB PAD SIZE, PLATING, SOLDER REFLOW PROFILE & SOLDER PASTE.
- ④ CONTACTS IN ROWS A,C,E,G,J,K,M,P,R AND T ARE SINGLE BEAM CONTACTS, TYPICALLY USED AS GROUND PINS. (NOTE: CONTACTS IN ROWS J & K ARE TIED TOGETHER [COMMONED])
- ⑤ CONTACTS IN ROWS B,D,F,H,L,N,Q AND S ARE DUAL BEAM CONTACTS, TYPICALLY USED AS SIGNAL PINS.
- ⑥ SPECIFIED POSITIONAL TOLERANCE DEFINES PAD TO PAD LOCATION WITHIN LAND PATTERN. POSITIONAL TOLERANCE OF LAND PATTERN TO FUDICIAL MARKS OR PCB DATUMS SHALL BE DEFINED BY CUSTOMER. FOR RECOMMENDED PRODUCT APPLICATION AND PCB DESIGN DETAILS, SEE DOC. NO. GS-20-016.
- ⑦ FOR PROPER APPLICATION FOLLOW FCI APPLICATION SPECIFICATION GS-20-033 LEADFREE SOLDER BALLS WILL NOT SOLDER PROPERLY IN A LEADED SOLDER PROCESS DUE TO A HIGHER REFLOW TEMPERATURE, LEADFREE PRODUCT IS THEREFORE NOT BACKWARDS COMPATIBLE WITH LEADED OR SOME SOLDERING APPLICATIONS. REFERENCE FCI APPLICATION SPECIFICATION.
- ⑧ THIS PRODUCT MEETS THE EUROPEAN UNION DIRECTIVES AND OTHER COUNTRY REGULATIONS AS DESCRIBED IN GS-22-008. PRODUCT MEETING WITH THIS DIRECTIVE IS IDENTIFIED IN THE LOT CODE NUMBER MARKED ON EACH PART BY HAVING AN "X" IN THE SEVENTH CHARACTER POSITION.



Copyright FCI.

spec ref	-	dr	Bill Lin	2010/02/02	projection 	mm 	size	A4	scale	3:10	
tolerance std	TOLERANCES UNLESS OTHERWISE SPECIFIED	eng	Nickor Zuo	2011/05/26			ecn no	ELX-DG-003943-1			
ASME Y14.5		chr	Alex Cao	2011/06/24			product family	GIG-Array		rel level	Released
surface	linear	appr	Pei-Ming Zheng	2011/06/27	title	GIG-Array		dwg no	55739		
						20mm PLUG ASSY. 200 SIG. POS.			rev		
	angular				cat. no.	Product - Customer Drw			sheet 5 of 5		
									E		

Looking for pricing, stock, or lifecycle information?

Click below to explore more details on WIN SOURCE:

 [View 55739-001LF on WIN SOURCE](#)

 [Amphenol FCI Information](#)

Optimize Your Supply Chain with WIN SOURCE Solutions

-  Global Sourcing Solution
-  Obsolete Management
-  Cost Control Management
-  Shortage Management
-  Alternative Solution
-  Excess Inventory Management