

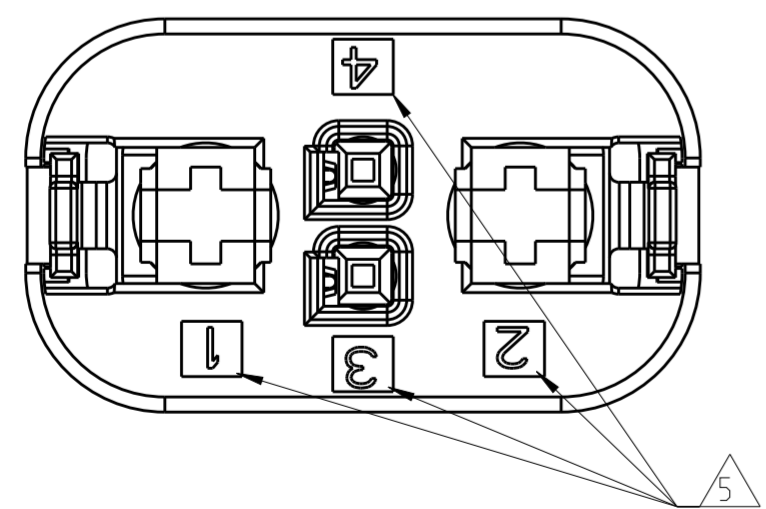
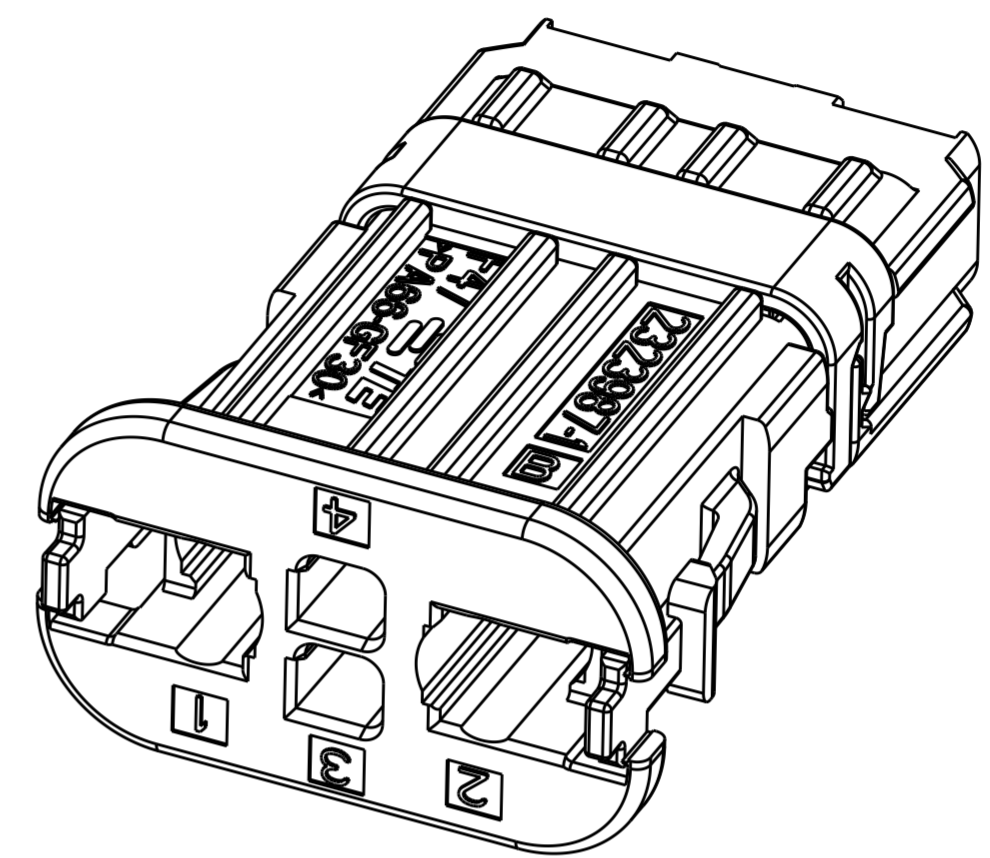
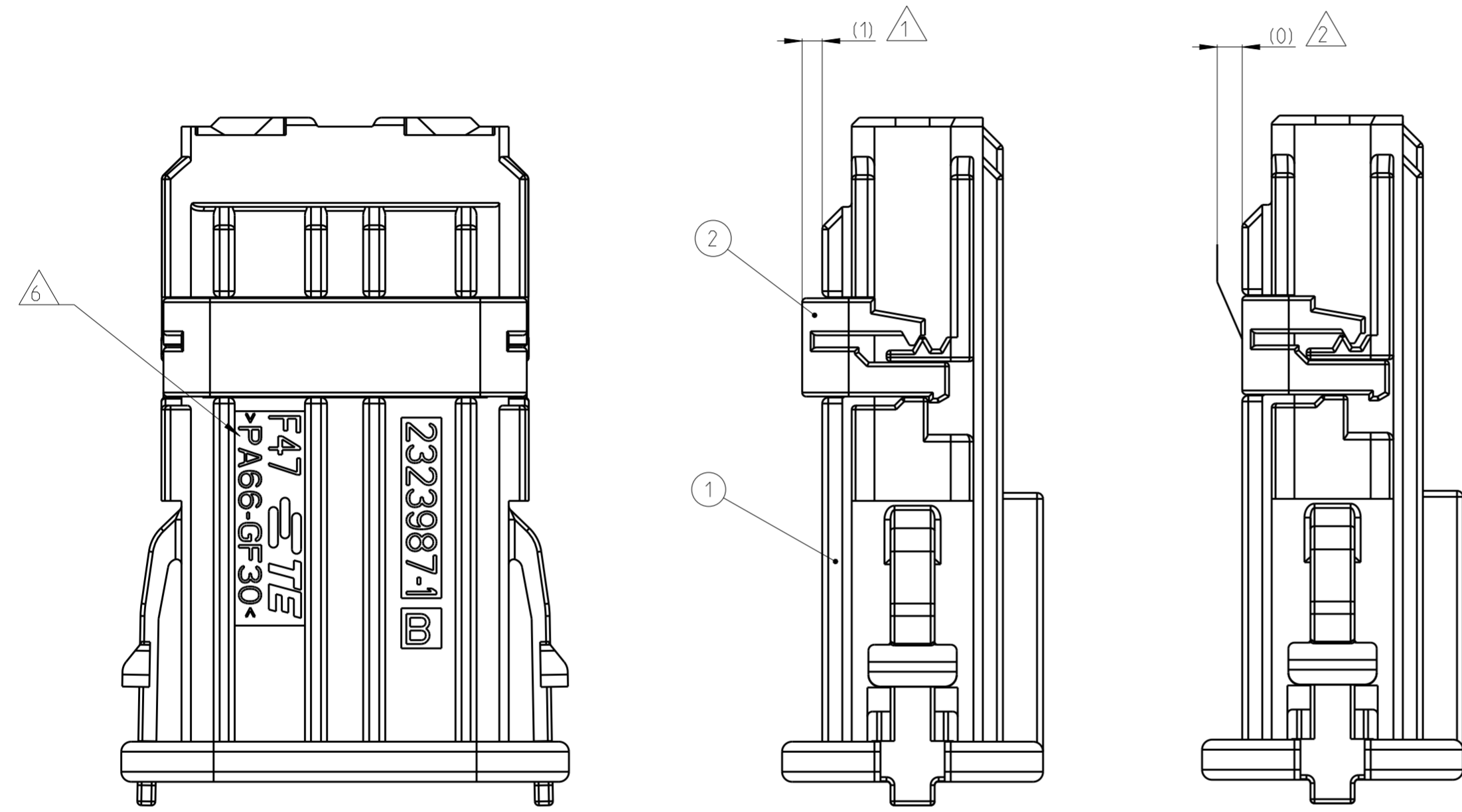


**THE DATASHEET OF**  
**2323989-1**



THIS DRAWING IS UNPUBLISHED. RELEASED FOR PUBLICATION  
 © COPYRIGHT copyright\_date BY - ALL RIGHTS RESERVED.

REVISIONS					
P	LTR	DESCRIPTION	DATE	DWN	APVD
A		RELEASED	08FEB18	F.S	I.Y
B		REVISED ECO-18-009962	29JUN18	F.S	E.J
B1		REVISED ECO-19-001072	14MAR19	H.X	E.J
B2		REVISION (ECR-19-018346)	25NOV19	R.Z	E.J



- 1 DELIVERY CONDITION: RETAINER(ITEM 2) IN PRE-LOCKED POSITION IF NOT, PLEASE MOVE IT INTO THE PRE-LOCKED POSITON
- 2 APPLICATION CONDITION: TERAINENR(ITEM 2)IN LOCKED POSITION
- 3 PACKAGING: PRODUCT BEING PUT IN CARDBOX
- 4 SUITABLE TO TE: 2323914
- 5 CONTACT CAVITY NUMBER
- 6 MATERIAL MARKING
- 7 APPLICATION POWER TERMINAL IS AMP 2.8 CONTACT(TE PN:1-968853-3)
- 8 APPLICATION SIGNAL TERMINAL IS MQS 0.63 CB CONTACT (TE PN: 5-968220-6, WITH WIRE SIZE 0.2~0.35MM<sup>2</sup>) OR MQS 0.63 CB CONTACT (TE PN: 5-968221-6, WITH WIRE SIZE 0.5MM<sup>2</sup>)

B2

2323989-1	PA66-GF V0	RED	RETAINER, HVA280 2P	2
	PA66-GF V0	BLACK	HVA280 2P INNER HOUSING, INNER PLUG SIDE	1
TE-ASSY-PN	MATERIAL	COLOR	DESCRIPTION	ITEM

THIS DRAWING IS A CONTROLLED DOCUMENT.		DWN E.SUN 08FEB2018	TE Connectivity	
DIMENSIONS: mm		CHK E.JIANG 08FEB2018		
TOLERANCES UNLESS OTHERWISE SPECIFIED:		APVD I.YIN 08FEB2018	NAME PLUG ASSY, HV280 MCP2.8, MQS 0.63	
		PRODUCT SPEC	SIZE A2	
0 PLC ±0.50 1 PLC ±0.40 2 PLC ±0.25 3 PLC ±0.15 4 PLC ± ANGLES ±1 FINISH -		APPLICATION SPEC 114-32332	CAGE CODE A200779	DRAWING NO C-2323989
MATERIAL SEE TABLE		WEIGHT -	RESTRICTED TO -	
-		CUSTOMER DRAWING	SCALE 4:1	SHEET 1 OF 1

## Looking for pricing, stock, or lifecycle information?

Click below to explore more details on WIN SOURCE:

 [View 2323989-1](#) on WIN SOURCE

 [TE Connectivity](#) Information

## Optimize Your Supply Chain with WIN SOURCE Solutions

-  Global Sourcing Solution
-  Obsolete Management
-  Cost Control Management
-  Shortage Management
-  Alternative Solution
-  Excess Inventory Management