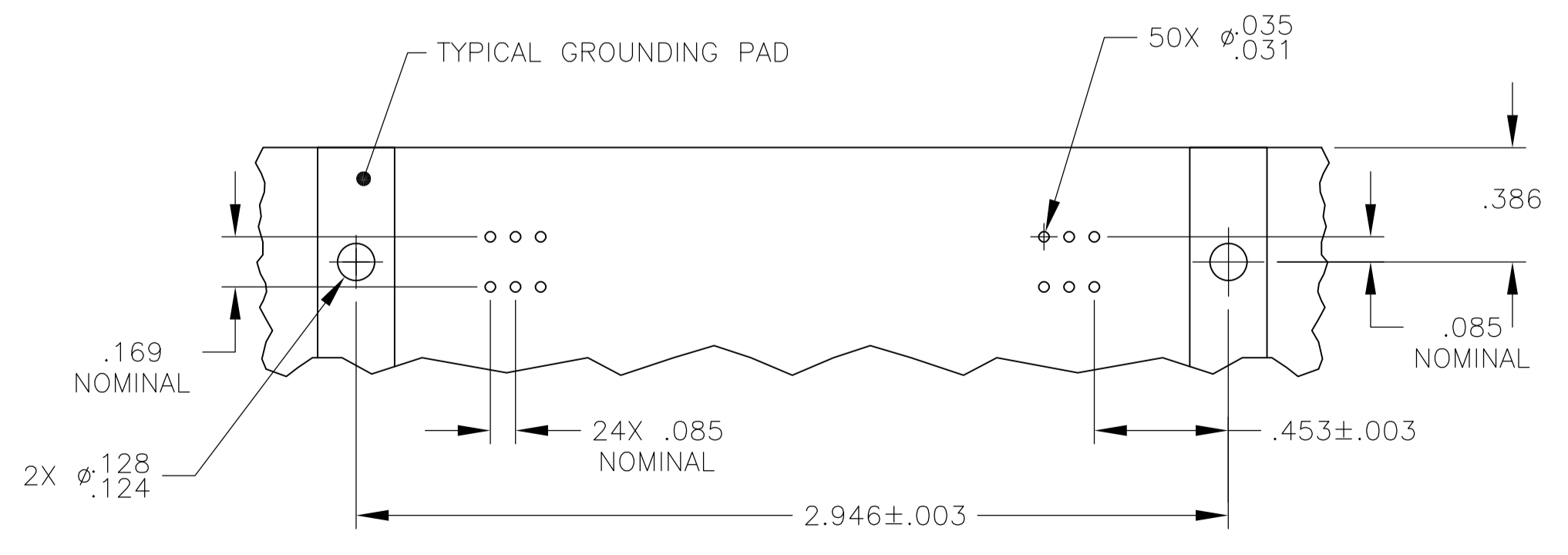
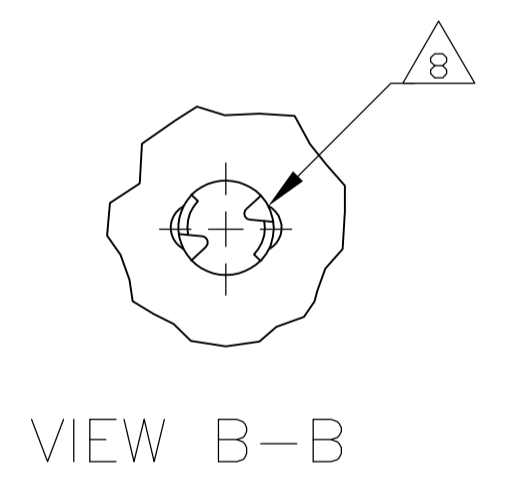
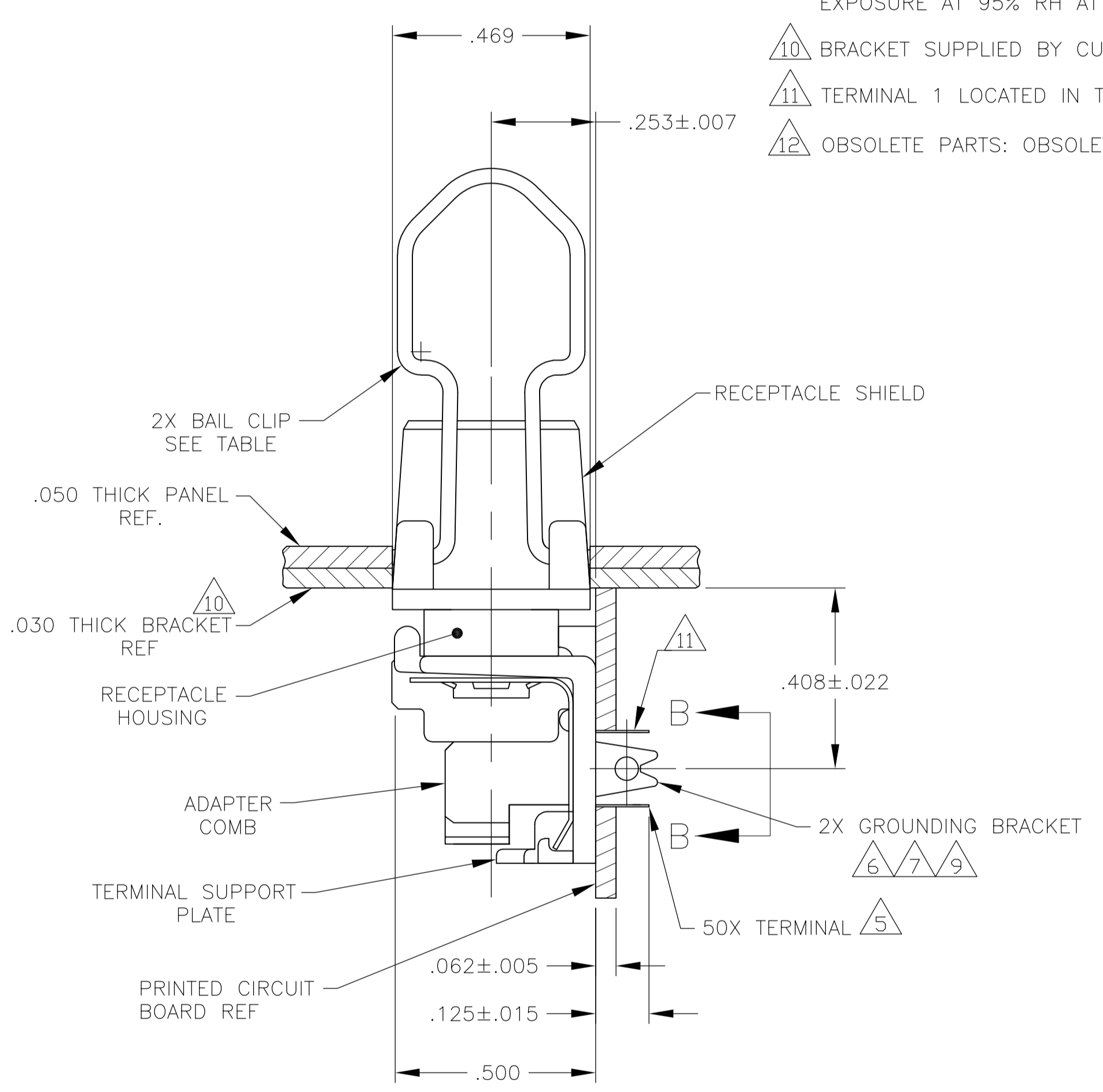
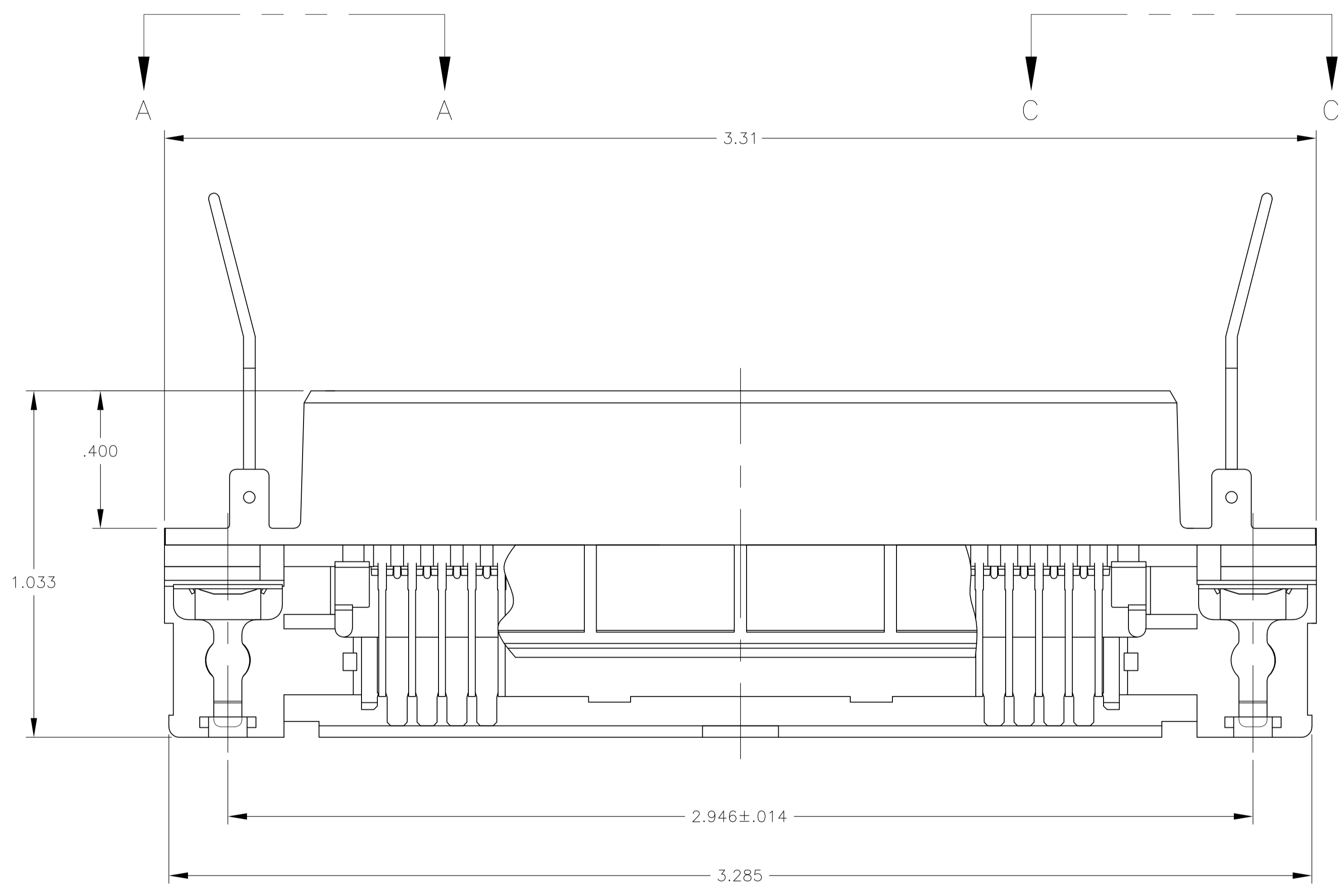
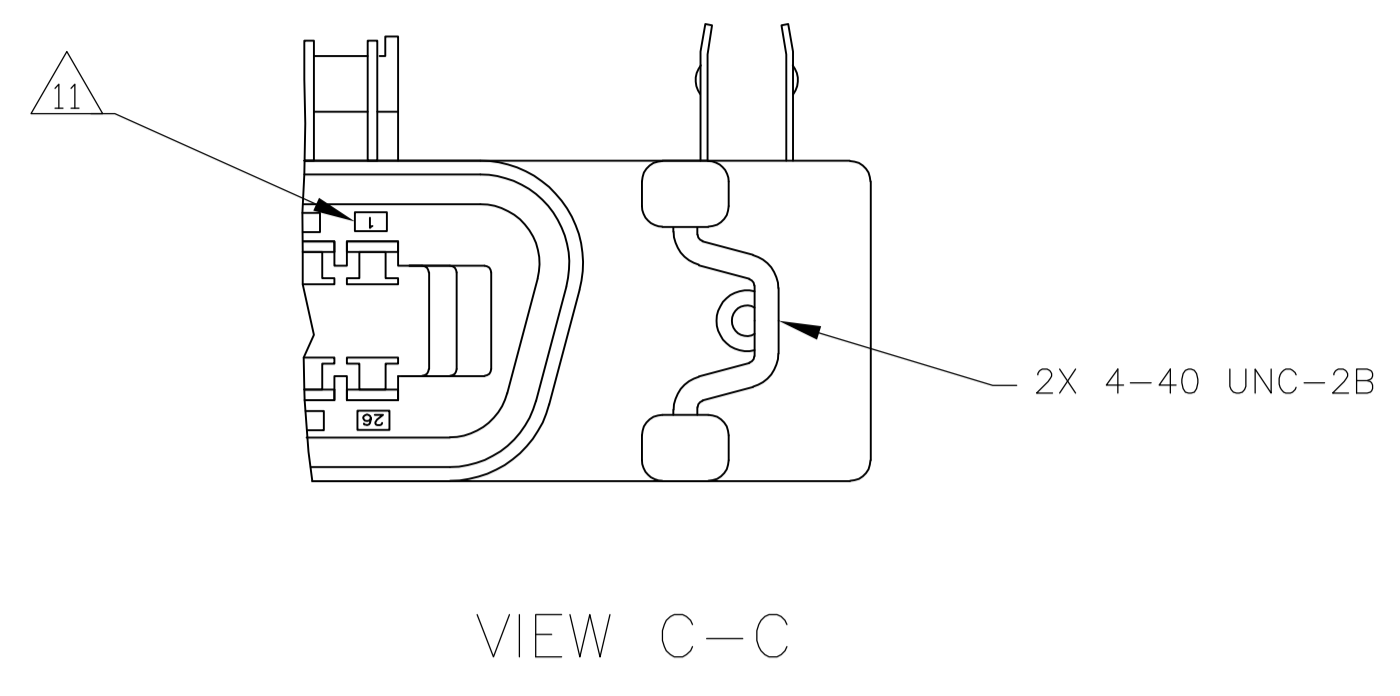
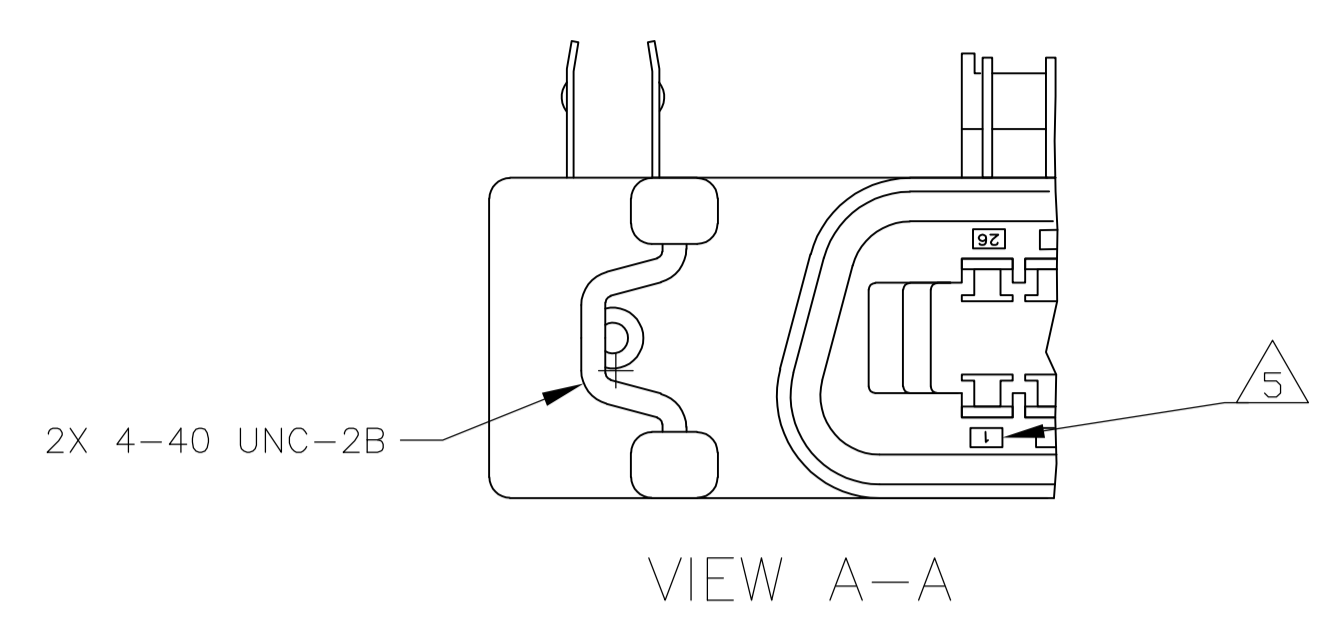


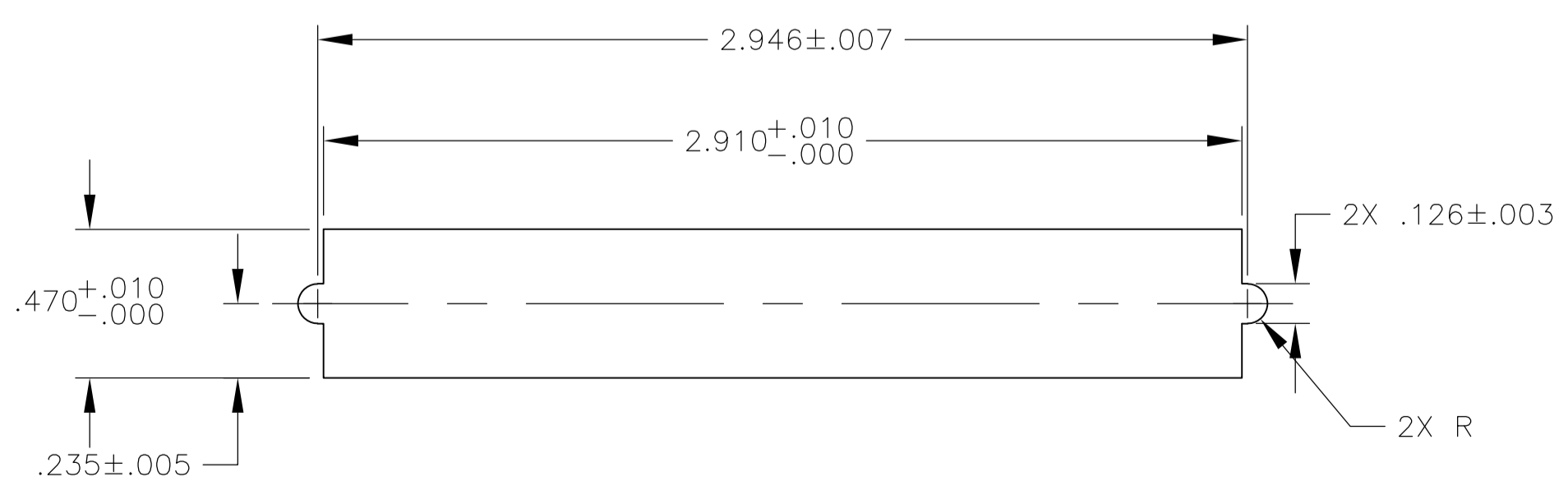


THE DATASHEET OF
5555149-1





SUGGESTED PRINTED BOARD MOUNTING DIMENSIONS SCALE 2:1



SUGGESTED BRACKET MOUNTING CUTOUT DIMENSIONS SCALE 2:1

- 1 MATERIAL:
 HOUSING & ADAPTER COMB - POLYESTER, BLACK.
 BAIL CLIPS - PASSIVATED STAINLESS STEEL.
 RECEPTACLE SHIELD - BRIGHT NICKEL PLATED OVER COPPER ZINC.
 TERMINALS - HIGH STRENGTH COPPER ALLOY PLATED WITH EITHER .000030 MIN GOLD PLATE OR GOLD FLASH OVER PALLADIUM NICKEL PLATE, .000030 MIN TOTAL ON MATING SURFACE, .000120 MIN TIN PLATE ON TAILS, ALL OVER .000050 MIN NICKEL UNDERPLATE OVER ENTIRE TERMINAL.
 GROUND BRACKET - TIN PLATED CARBON STEEL.
2. THE CONTACT SURFACES OF THE TERMINALS ARE COATED WITH LUBRICANT.
3. CENTER-TO-CENTER SPACING OF TERMINALS IS .085 NOMINAL.
4. ALL DIMENSIONS SHOWN ARE MAXIMUM UNLESS OTHERWISE SPECIFIED.
- 5 TERMINAL 1 LOCATED IN THIS ROW FOR STANDARD ORIENTATION.
- 6 GROUNDING BRACKET RETAINS CONNECTOR IN .062 THICK PC BOARD WITHOUT ADDITIONAL HARDWARE.
- 7 GROUNDING BRACKET LOCATES CONNECTOR FLUSH WITH TOP OF PC BOARD AND SPRING LOCKS BENEATH.
- 8 CYLINDRICAL SHAPE OFFERS 180° OF SOLDERING SURFACE.
- 9 SURFACE AREA OF GROUNDING BRACKET BELOW PC BOARD SHALL PASS SOLDERABILITY REQUIREMENTS IN ACCORDANCE WITH AMP SPEC 109-11-2. DISCOLORATION SCRATHES, SPOTS AND OTHER COSMETIC DEFICIENCIES TYPICAL OF BARREL PLATING PROCESSES ARE ACCEPTABLE PROVIDING PARTS PASS 24 HOUR EXPOSURE AT 95% RH AT 40°C WITHOUT EVIDENCE OF CORROSION.
- 10 BRACKET SUPPLIED BY CUSTOMER.
- 11 TERMINAL 1 LOCATED IN THIS ROW FOR REVERSE ORIENTATION.
- 12 OBSOLETE PARTS: OBSOLETE CIS STREAMLINING PER D.RENAUD/D.SINISI

OBSOLETE	REVERSE, VIEW C-C	AS SHOWN	5555149-3
	STANDARD, VIEW A-A	WITHOUT BAIL CLIPS	5555149-2
		AS SHOWN	5555149-1
	ORIENTATION	DESCRIPTION	PART NUMBER

THIS DRAWING IS A CONTROLLED DOCUMENT.		DIN B	MCMAS	28JULY05	TE Connectivity
DIMENSIONS: INCHES		W	MILLHIMES	28JULY05	
TOLERANCES UNLESS OTHERWISE SPECIFIED:		APVD	W	MILLHIMES	NAME
0 PLC	±				RCPT ASSY, LPF, EXT SHLD, RTANG, 50 POSN, BD LK, BAIL LK, CHAMP
1 PLC	±				PRODUCT SPEC
2 PLC	±				APPLICATION SPEC
3 PLC	±				SIZE
4 PLC	±				WEIGHT
ANGLES	±				CAGE CODE
					DRAWING NO
					RESTRICTED TO
					00779
					5555149
					SCALE
					4:1
					SHEET
					1 OF 1
					REV
					C2

Looking for pricing, stock, or lifecycle information?

Click below to explore more details on WIN SOURCE:

 [View 5555149-1](#) on WIN SOURCE

 [TE Connectivity](#) Information

Optimize Your Supply Chain with WIN SOURCE Solutions

-  Global Sourcing Solution
-  Obsolete Management
-  Cost Control Management
-  Shortage Management
-  Alternative Solution
-  Excess Inventory Management