

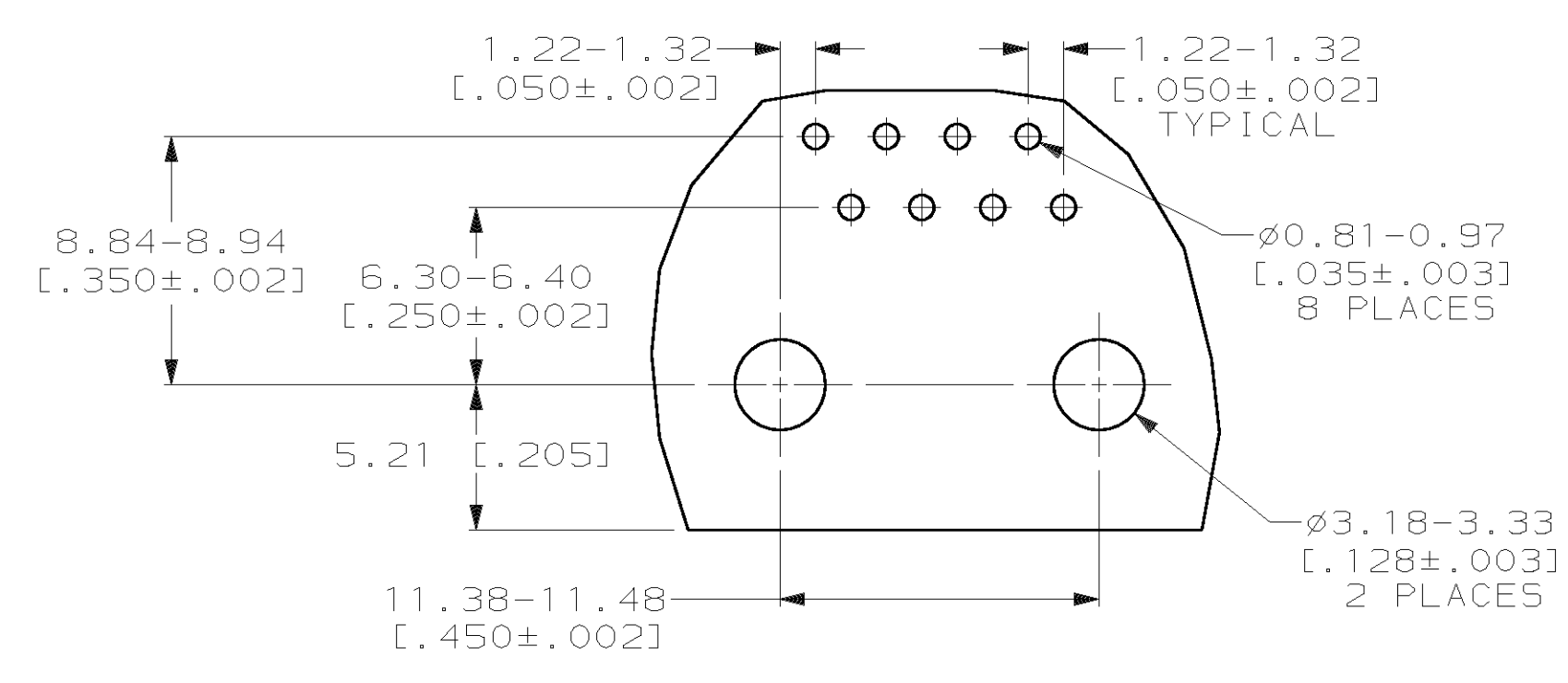
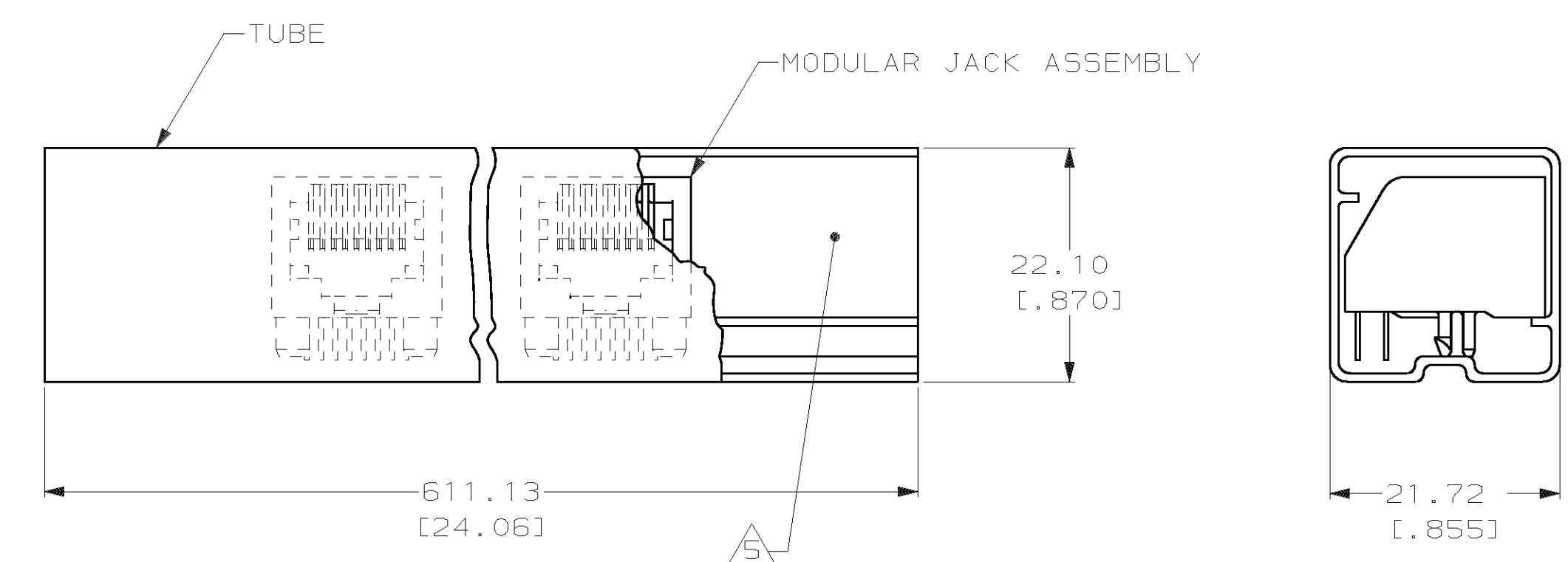
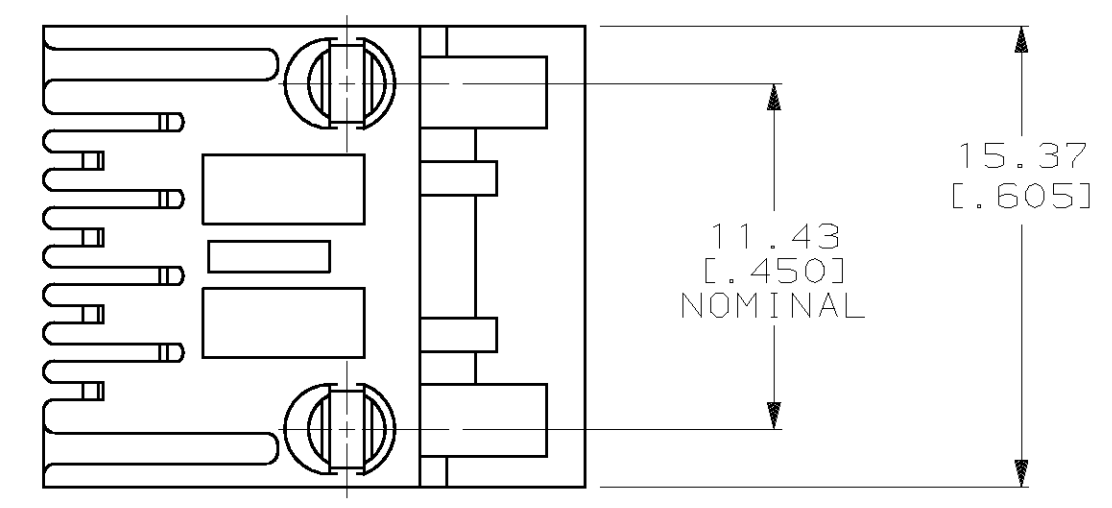
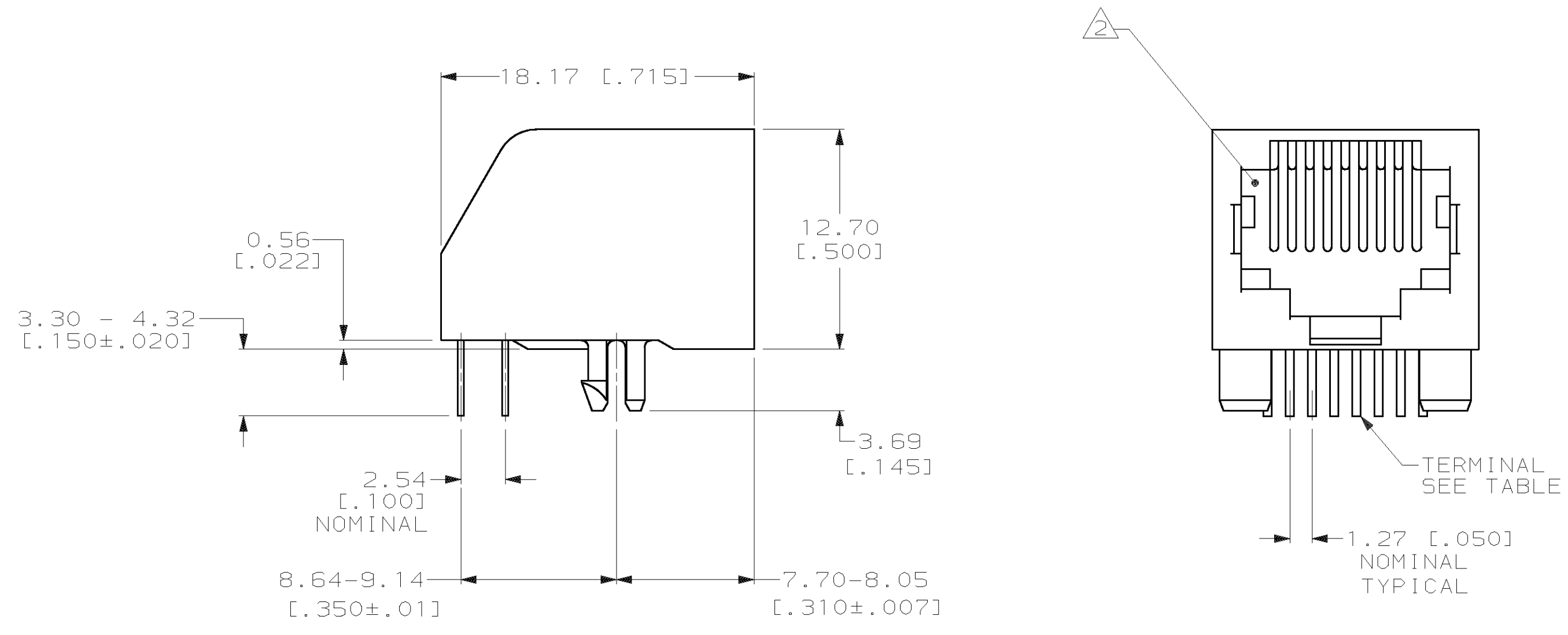


THE DATASHEET OF
555164-1



LOC	DIST	P	F	ZONE	LTR	DESCRIPTION	DATE	APPD
AA	22					H SUPERSEDED: -3; EC 0UF0-0013-01	14SEP01	DD LV

- ① MATERIAL:
 HOUSING - PBT POLYESTER, SEE TABLE.
 TERMINAL - 0.36 [.014] THICK PHOS
 BRONZE PLATED WITH 1.27µm [.000050]
 MINIMUM THICK HARD GOLD IN LOCALIZED
 GOLD PLATE AREA AND 2.03µm [.000080]
 MINIMUM THICK TIN LEAD IN SOLDER AREA
 OVER 1.27µm [.000050] THICK NICKEL
 UNDERPLATE.
- ② CAVITY CONFORMS TO FCC RULES AND
 REGULATIONS PART 68, SUBPART F.
- ③ DIMENSIONS ARE MAXIMUM UNLESS
 OTHERWISE SPECIFIED.
- ④ BULK PACKAGED IN A TRAY.
- ⑤ 37 ASSEMBLIES PACKAGED PER TUBE, SEE
 DETAIL B.



SUGGESTED PRINTED CIRCUIT BOARD
 MOUNTING HOLE LAYOUT
 LAYOUT SHOWN FROM CIRCUIT SIDE OF BOARD

PACKAGED	HOUSING COLOR	TERMINALS REQUIRED	PART NUMBER
⑤	BLACK	8	555164-4
④	GRAY	8	555164-3
④	BLACK	8	555164-1


SUPERSEDED BY 555164-1

DO NOT SCALE PRINT. UNLESS SPECIFIED DIMENSIONS IN mm [INCHES] TOLERANCES ON:	DR 11-9-95 D. STRAUSSER	AMP Incorporated Harrisburg, PA 17105-3608
2 PLC DEC ±	CHK 11-14-95 N. JONES	
3 PLC DEC ±	APPD 11-20-95 J. TONEY	NAME MODULAR JACK ASSEMBLY, 8 POSITION, LOW PROFILE, RIGHT ANGLE, WITHOUT PANEL STOPS
ANGLES ±	APPD 11-20-95 H. McGRATH	PRODUCT SPEC 108-1163
MATERIAL	FINISH	APPLICATION SPEC 114-2048
①	①	SIZE D 00779
①	①	CAGE CODE C-555164
		DRAWING NO C-555164
		SCALE 4:1
		SHEET 1 OF 1

THIS DRAWING IS A CONTROLLED DOCUMENT FOR AMP INCORPORATED. IT IS SUBJECT TO CHANGE AND THE CONTROLLING ENGINEERING ORGANIZATION SHOULD BE CONTACTED FOR THE LATEST REVISION.

Looking for pricing, stock, or lifecycle information?

Click below to explore more details on WIN SOURCE:

 [View 555164-1 on WIN SOURCE](#)

 [TE Connectivity](#) Information

Optimize Your Supply Chain with WIN SOURCE Solutions

-  Global Sourcing Solution
-  Obsolete Management
-  Cost Control Management
-  Shortage Management
-  Alternative Solution
-  Excess Inventory Management