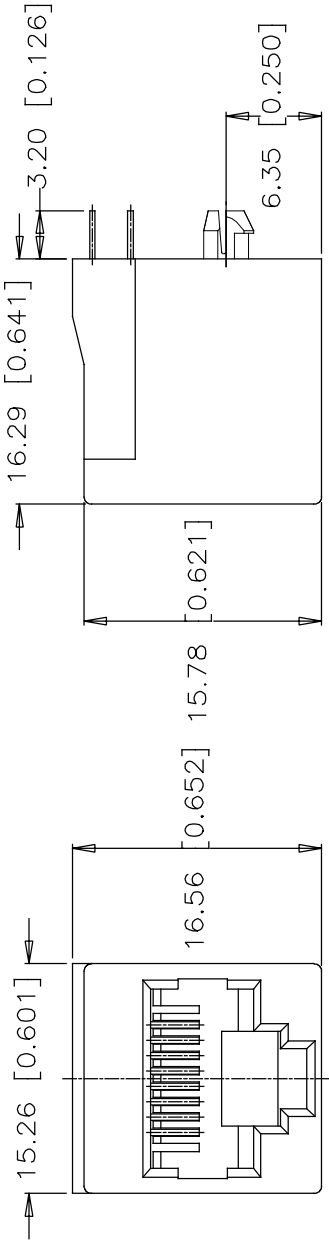




**THE DATASHEET OF  
RJE081880110**



REV	
C	
D	



FRONT VIEW

SIDE VIEW

- MATERIALS:**  
 PLASTIC HOUSING: ENGINEERING TH  
 FLAMMABILITY R  
 COLOR: BLACK

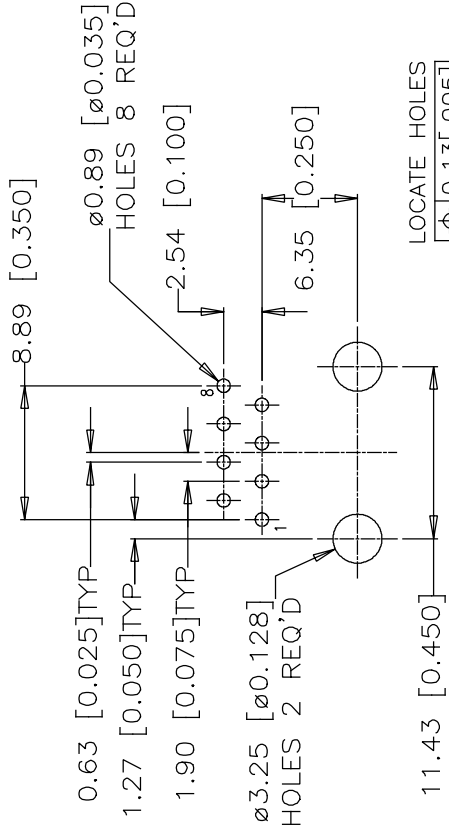
**CONTACTS:** PHOSPHOR BRONZE  
 PLATING: SELECTIVE  
 SEE AMPHE  
 50  $\mu$ " [1.27] [1.27] U  
 MIN. NICKEL U  
 100  $\mu$ " [2.54] [2.54] U  
 MIN. MATTE TI  
 ON CONTACT

- MECHANICAL:**  
 MATING FORCE: 5.0 LBS MAX.

- ELECTRICAL:**  
 CONTACT RESISTANCE: 40 MILLIOHMS  
 INSULATION RESISTANCE: 500 MEGOH  
 CURRENT RATING: 1.5 AMPS  
 VOLTAGE RATING: 125 VOLTS AC

- ENVIRONMENTAL:**  
 STORAGE TEMPERATURE: -20°C to 8  
 PACKAGING METHOD: TRAY PACKAGING

**PART NUMBER:** RUE08-188-0X11



RECOMMENDED P.C.B. LAYOUT  
 (COMPONENT SIDE OF BOARD)  
 TOLERANCE:  $\pm 0.05$  [.002](TOP VIEW)

UNLESS SPECIFIED OTHERWISE	DRAWN	PAUL W	DATE	DEC 05/05	A
PRIMARY UNITS	CHECKED	LAWRENCE C	DEC 05/05		
SECONDARY	M.E. APP'D				
REFERENCE IN PARENTHESES	Q.A. APP'D				
GENERAL TOLERANCES	DWG APPR.				
1 DECIMAL PLACE	ENG. REL. NO.				
2 DECIMAL PLACES	REF.				
3 DECIMAL PLACES	THIRD ANGLE PROJECTION				
ANGULAR DEGREES $\pm 1.0^\circ$	DO NOT SCALE DRAWING				

THIS DOCUMENT CONTAINS PROPRIETARY INFORMATION AND SUCH INFORMATION MAY NOT BE DISCLOSED TO OTHERS FOR ANY PURPOSE OR USED FOR MANUFACTURING PURPOSES WITHOUT WRITTEN PERMISSION FROM AMPHENOL CANADA CORP.

## Looking for pricing, stock, or lifecycle information?

Click below to explore more details on WIN SOURCE:

 [View RJE081880110 on WIN SOURCE](#)

 [Amphenol Information](#)

## Optimize Your Supply Chain with WIN SOURCE Solutions

-  Global Sourcing Solution
-  Obsolete Management
-  Cost Control Management
-  Shortage Management
-  Alternative Solution
-  Excess Inventory Management