

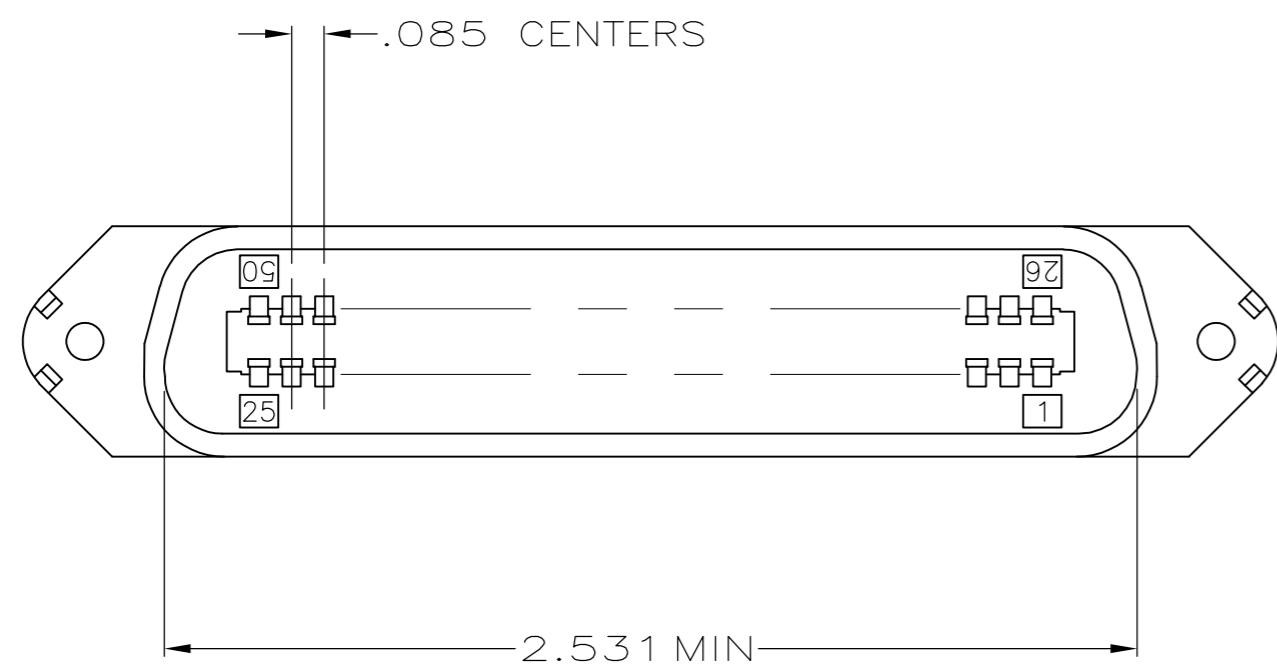
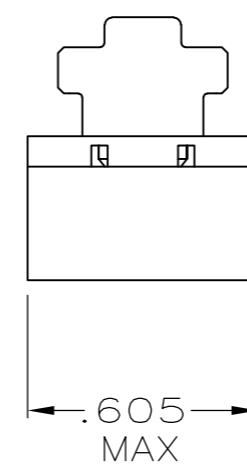
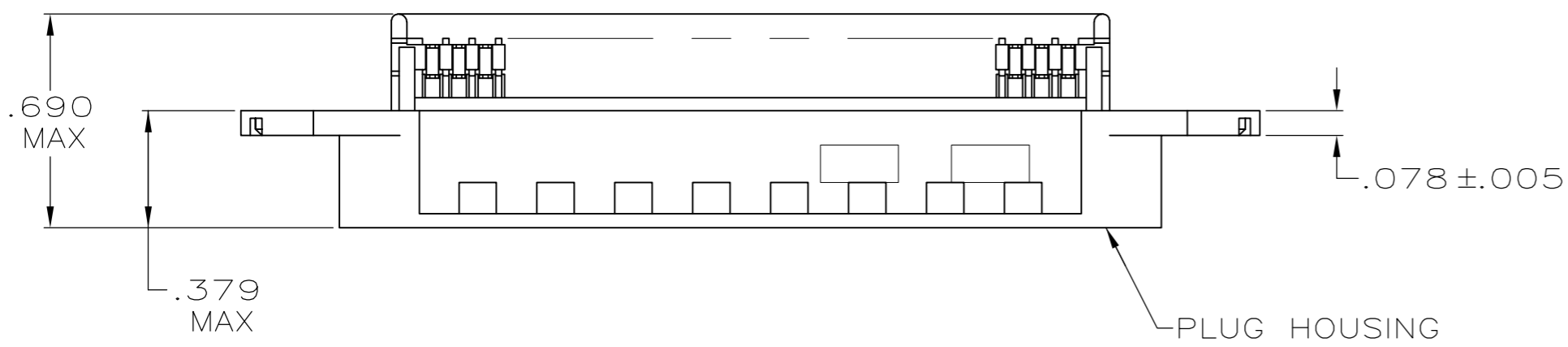
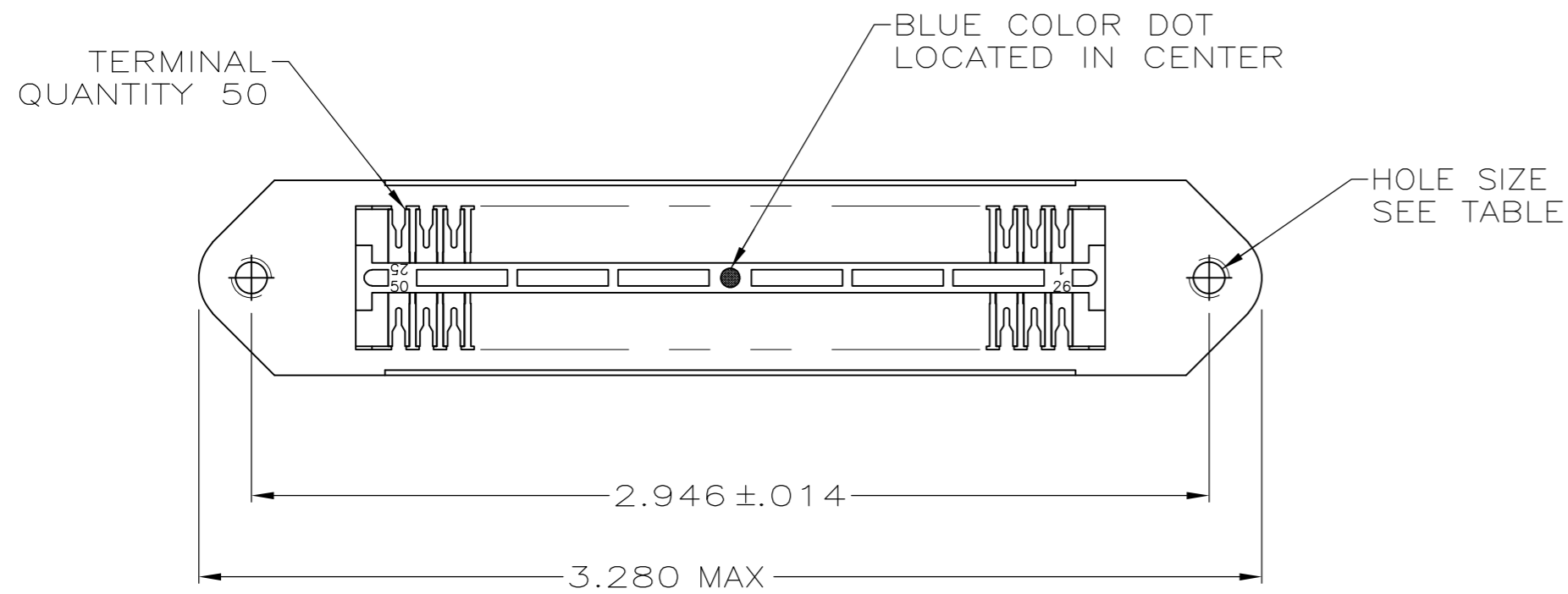


THE DATASHEET OF
554338-1



THIS DRAWING IS UNPUBLISHED. RELEASED FOR PUBLICATION
 © COPYRIGHT BY TYCO ELECTRONICS CORPORATION. ALL RIGHTS RESERVED.

LOC	DIST	REVISIONS			
P	LTR	DESCRIPTION	DATE	DWN	APVD
GP	00	F	REVISED PER ECO-08-007327	05SEP08	BM WM




- THE CONTACT SURFACES OF THE TERMINALS ARE COATED WITH LUBRICANT.
 - △ MATERIAL: HOUSING - POLYPHENYLENE OXIDE (BLACK).
 TERMINAL - HIGH STRENGTH COPPER ALLOY PLATED WITH .000030 MIN GOLD OR GOLD FLASH OVER PALLADIUM NICKEL PLATE, .000030 MIN TOTAL ON MATING SURFACE, .000050 MIN NICKEL UNDERPLATE ON ENTIRE CONTACT.
 - WIRE SIZE: 24 OR 26 AWG SOLID OR 24 AWG 7 STRANDS OF COPPER CONDUCTORS. MAXIMUM INSULATION DIAMETER OF .045 IS ACCEPTABLE FOR MOST APPLICATIONS.
- △ 2 HOLES TAPPED, 4-40 UNC-2B
- △ 2 HOLES TAPPED, M3.5 x 0.6-6G

△ 5	554338-2
△ 4	554338-1
HOLE SIZE	PART NUMBER

THIS DRAWING IS A CONTROLLED DOCUMENT.		DWN MD BYERLY 27-OCT-83	Tyco Electronics Corporation Harrisburg, PA 17105-3608	
DIMENSIONS: INCHES		CHK MD FRIEL 30-NOV-83	NAME	
TOLERANCES UNLESS OTHERWISE SPECIFIED:		APVD G. FOSTER 03-JAN-84	EMI PLUG ASSEMBLY, 50 POSITION, SCREW LOCK, B-SLOT, W/ TAPPED HOLES, CHAMP	
0 PLC ± -	1 PLC ± -	PRODUCT SPEC	SIZE A2	CAGE CODE 00779
2 PLC ± -	3 PLC ± -	APPLICATION SPEC	DRAWING NO C=554338	RESTRICTED TO
4 PLC ± -	ANGLES ± -	WEIGHT -	SCALE 2:1	SHEET 1 of 1
MATERIAL △	FINISH △	CUSTOMER DRAWING	REV F	

Looking for pricing, stock, or lifecycle information?

Click below to explore more details on WIN SOURCE:

 [View 554338-1 on WIN SOURCE](#)

 [TE Connectivity](#) Information

Optimize Your Supply Chain with WIN SOURCE Solutions

-  Global Sourcing Solution
-  Obsolete Management
-  Cost Control Management
-  Shortage Management
-  Alternative Solution
-  Excess Inventory Management