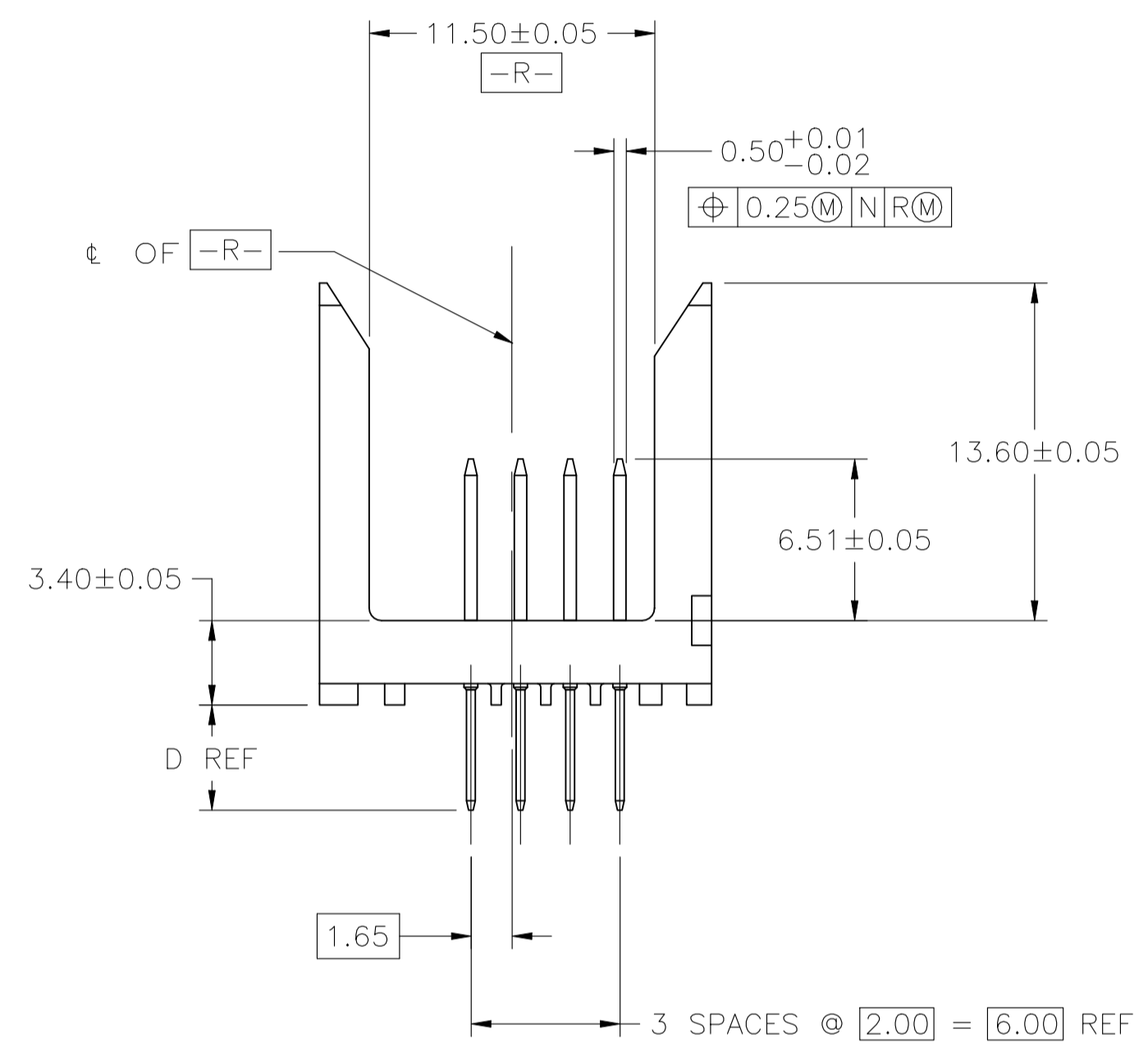
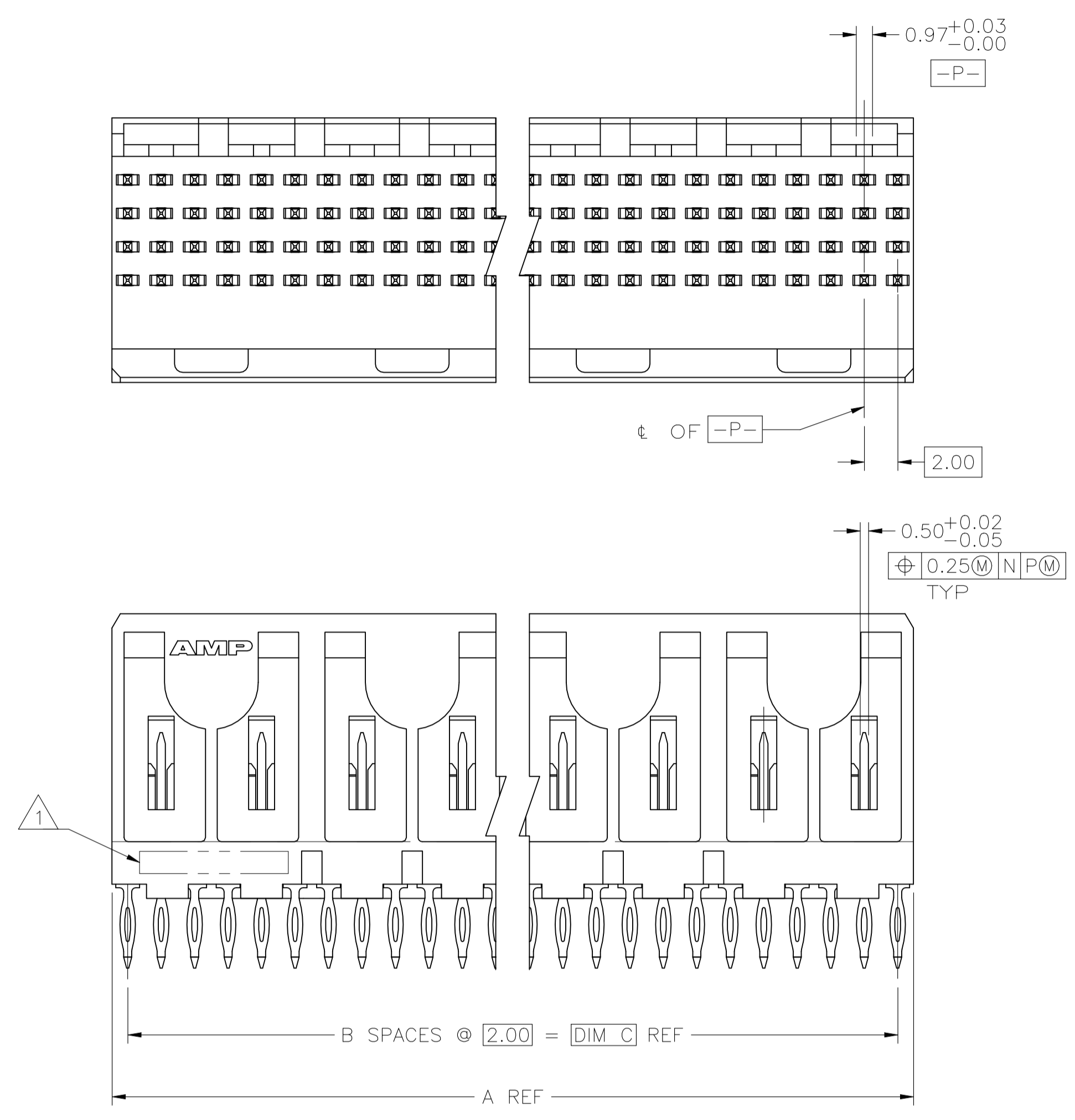




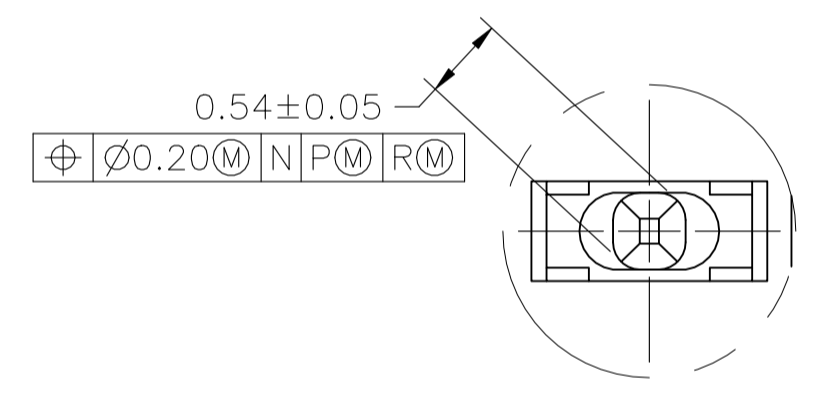
**THE DATASHEET OF**  
**5536504-1**



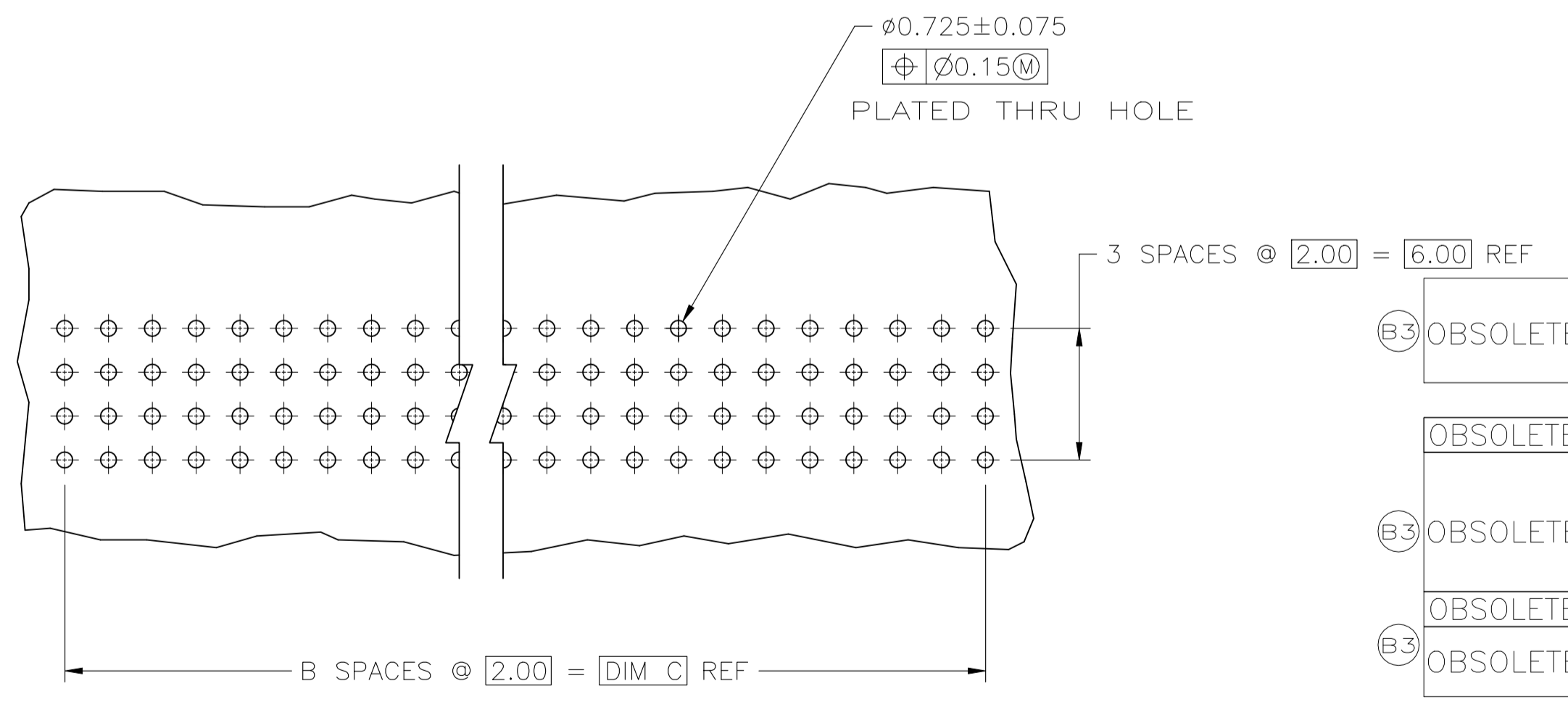
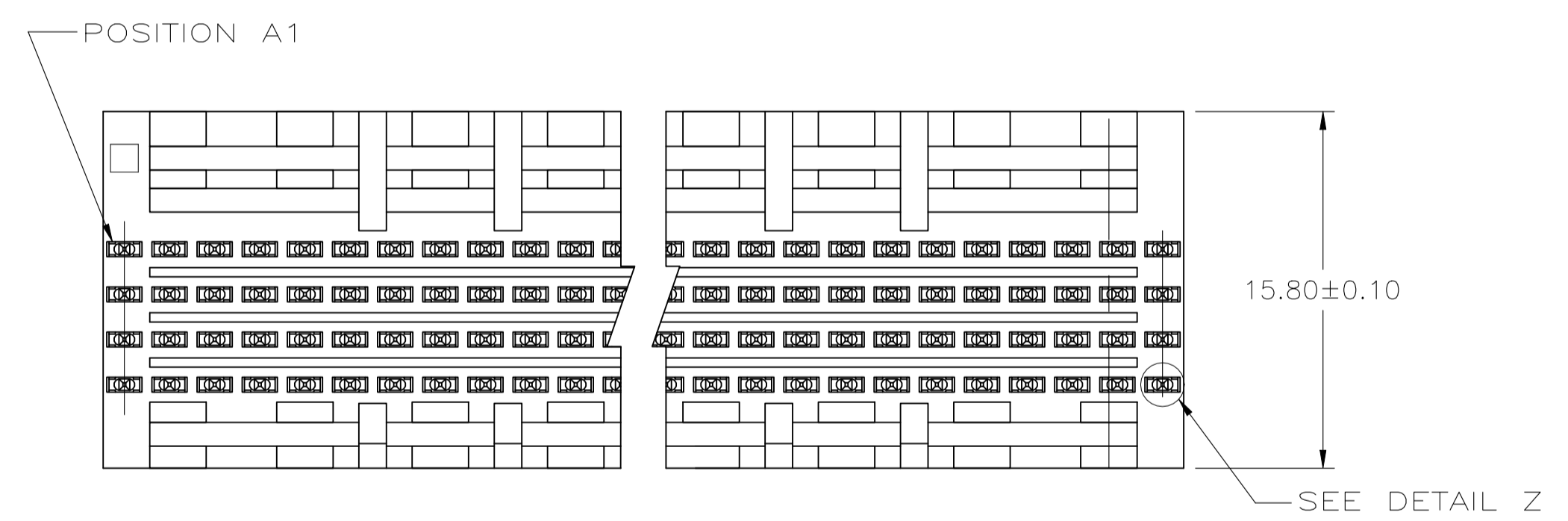
REVISIONS					
P	LTR	DESCRIPTION	DATE	DN	APVD
B3		REVISED AS PER ECN-23-237759	03NOV2023	NV	WH



- 1 HOUSING MATERIAL: LIQUID CRYSTAL POLYMER PER ASTM D5138 LCPO00 G30A 32250, COLOR: NATURAL.
- 2 CONTACT MATERIAL: PHOSPHOR BRONZE.
- 3 CONTACT FINISH:  
 UNDERPLATE (ENTIRE CONTACT):  
 0.00127 MIN NICKEL PER SAE-AMS-QQ-N-290.  
 ON MATING SURFACES:  
 CONFORMS TO ALL TESTING SPECIFIED FOR TELCORDIA UNCONTROLLED ENVIRONMENT.  
 ON LEADS  
 0.0006 MIN TIN PER ASTM B 545 OVER UNDERPLATE.  
 LUBRICATION (MIN MATING SURFACES):  
 SURFACE CONDITIONER AFTER PLATING.
- 4 PART MARKING, LOCATED APPROXIMATELY AS SHOWN.
- 5 DIMENSION APPLIES WHEN SEATED ON PRINTED CIRCUIT BOARD.
- 6 CONTACT FINISH:  
 UNDERPLATE (ENTIRE CONTACT):  
 0.00127 MIN NICKEL PER SAE-AMS-QQ-N-290.  
 ON MATING SURFACES:  
 0.00076 MIN NICKEL OR COBALT HARDENED GOLD PER ASTM B-488 OVER UNDERPLATE.  
 ON LEADS  
 0.0006 MIN TIN PER ASTM B 545 OVER UNDERPLATE.  
 LUBRICATION (MIN MATING SURFACES):  
 SURFACE CONDITIONER AFTER PLATING.
- 7 CONFORMS TO ALL TESTING ACCORDING TO IEC 61076-4-101 PERFORMANCE LEVEL 2



DETAIL Z  
SCALE 20:1



RECOMMENDED CIRCUIT PATTERN  
PER IPC-D300 TYPE II, CLASS C  
(COMPONENT SIDE)

OBSOLETE	4.25	46	23	47.88	6	96	3-5536504-3
	4.25	22	11	23.88	6	48	3-5536504-2
OBSOLETE	4.25	10	5	11.88	6	24	3-5536504-1
	4.25	94	47	95.88	7	192	3-5536504-4
OBSOLETE	4.25	34	17	35.88	3	72	1-5536504-2
	4.25	130	65	131.88	3	264	1-5536504-1
OBSOLETE	4.25	106	53	107.88	3	216	1-5536504-0
	4.25	118	59	119.88	3	240	5536504-9
OBSOLETE	4.25	70	35	71.88	3	144	5536504-8
	4.25	66	33	67.88	3	136	5536504-7
OBSOLETE	4.25	58	29	59.88	3	120	5536504-6
	4.25	82	41	83.88	3	168	5536504-5
OBSOLETE	4.25	94	47	95.88	3	192	5536504-4
	4.25	46	23	47.88	3	96	5536504-3
OBSOLETE	4.25	22	11	23.88	3	48	5536504-2
	4.25	10	5	11.88	3	24	5536504-1
	D	C	B	A	FINISH	NO OF POSN	PART NUMBER

THIS DRAWING IS A CONTROLLED DOCUMENT.

DIN R MCMASITER 30AUG04  
 CJK R WERTZ 30AUG04

TE Connectivity

NAME: PIN ASSEMBLY, SIGNAL MODULE, Z-PACK 2mm FB, 2mm

APPROVED: R WERTZ 30AUG04

APPLICATION SPEC: PRODUCT SPEC

SIZE: A1 CAGE CODE: 00779 DRAWING NO: 5536504

WEIGHT: 0.000000

MATERIAL: 1 2 3 6

CUSTOMER DRAWING

SCALE: 4:1 SHEET: 1 of 1 REV: B3







## Looking for pricing, stock, or lifecycle information?

Click below to explore more details on WIN SOURCE:

 [View 5536504-1 on WIN SOURCE](#)

 [TE Connectivity](#) Information

## Optimize Your Supply Chain with WIN SOURCE Solutions

-  Global Sourcing Solution
-  Obsolete Management
-  Cost Control Management
-  Shortage Management
-  Alternative Solution
-  Excess Inventory Management