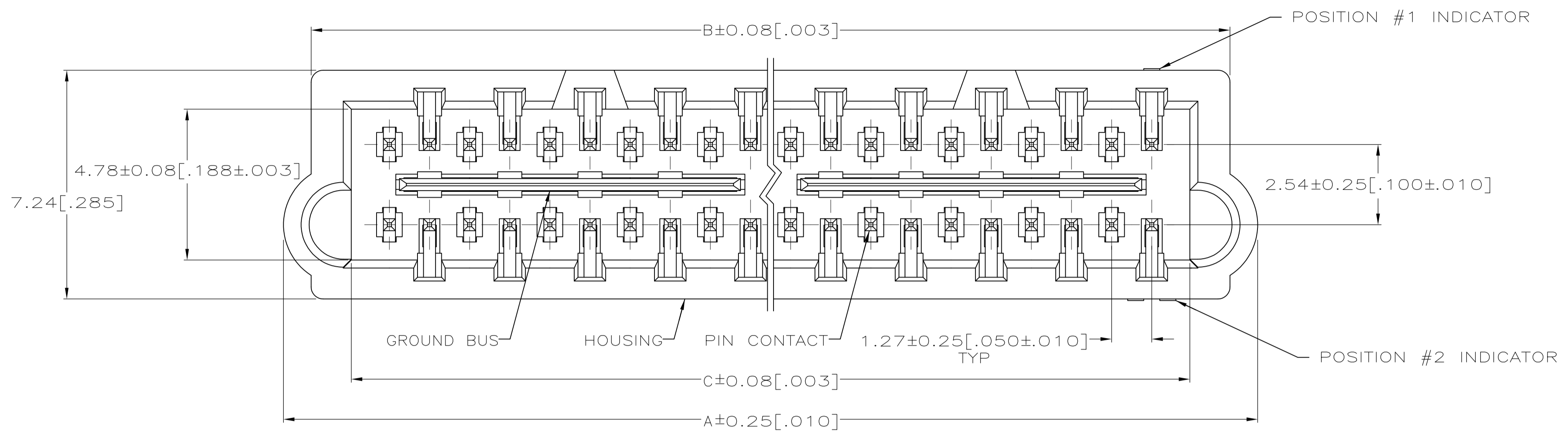


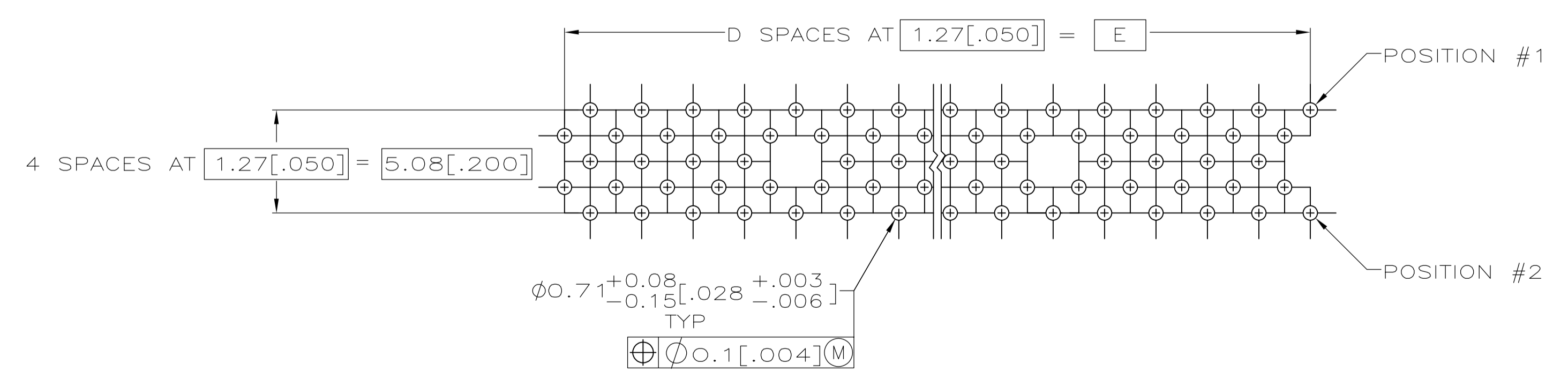
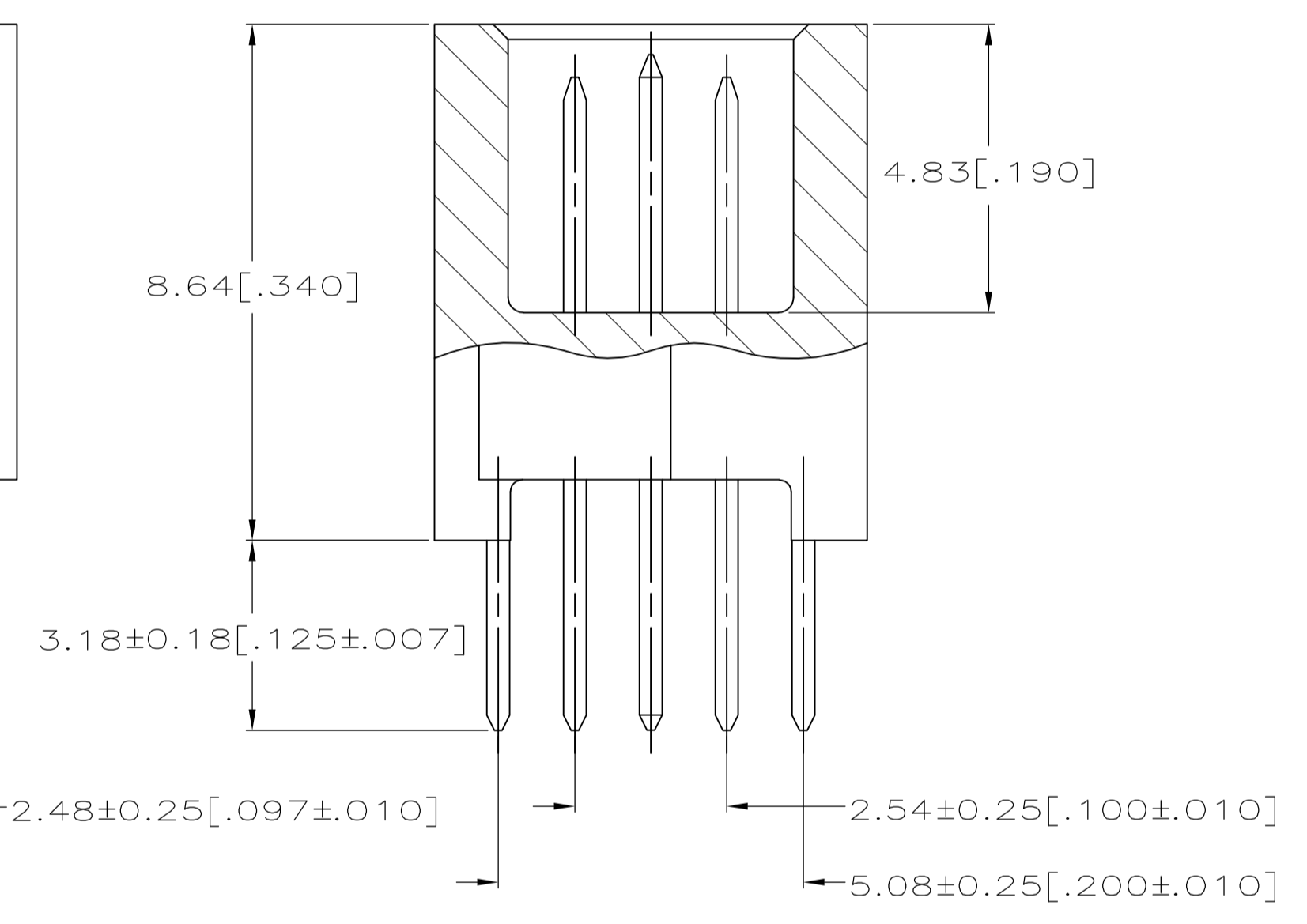
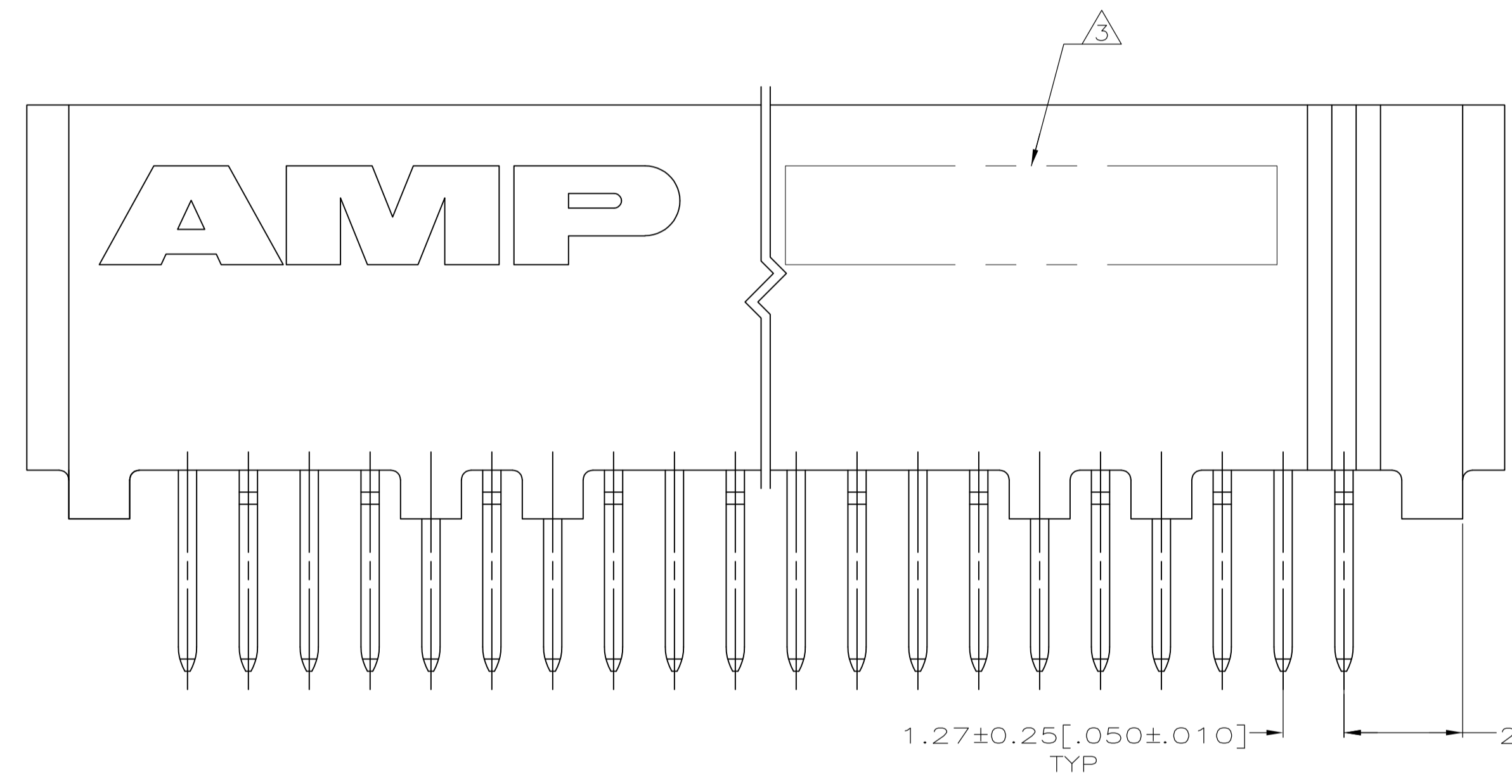


**THE DATASHEET OF**  
**5536272-4**





- ① HOUSING: HIGH TEMPERATURE THERMOPLASTIC, COLOR NATURAL.  
PIN CONTACTS: PHOSPHOR BRONZE.  
GROUND BUSES: PHOSPHOR BRONZE.
- ② CONTACTS & GROUND BUSES: 0.00076(.000030) MIN. GOLD PER ASTM B 488 ON CONTACT AREA, 0.00254-0.00762(.000100-.000300) MATTE TIN PER ASTM B 545 ON SOLDER TAIL, ALL OVER 0.00127-0.00254(.000050-.000100) MATTE NICKEL PER SAE AMS-QQ-N-290 ON ENTIRE CONTACT.
- ③ DATE CODE MARKED IN AREA INDICATED.



125.73	[4.950]	99	128.22	[5.048]	130.68	[5.145]	132.44	[5.214]	200	5536272-9	
113.03	[4.450]	89	115.52	[4.548]	117.98	[4.645]	119.74	[4.714]	180	5536272-8	
100.33	[3.950]	79	102.82	[4.048]	105.28	[4.145]	107.04	[4.214]	160	5536272-7	
87.63	[3.450]	69	90.12	[3.548]	92.58	[3.645]	94.34	[3.714]	140	5536272-6	
OBSOLETE	74.93	[2.950]	59	77.42	[3.048]	79.88	[3.145]	81.64	[3.214]	120	5536272-5
OBSOLETE	62.23	[2.450]	49	64.72	[2.548]	67.18	[2.645]	68.94	[2.714]	100	5536272-4
OBSOLETE	49.53	[1.950]	39	52.02	[2.048]	54.48	[2.145]	56.24	[2.214]	80	5536272-3
	36.83	[1.450]	29	39.32	[1.548]	41.78	[1.645]	43.54	[1.714]	60	5536272-2
	24.13	.[950]	19	26.62	[1.048]	29.08	[1.145]	30.84	[1.214]	40	5536272-1
	E	D	C	B	A	NO OF POS	PART NUMBER				

THIS DRAWING IS A CONTROLLED DOCUMENT.

DIMENSIONS: mm [INCHES]	TOLERANCES UNLESS OTHERWISE SPECIFIED:	0 PLC ± -	1 PLC ± -	2 PLC ± -	3 PLC ± 0.13 [.005]	4 PLC ± -	ANGLES ± -
MATERIAL		FINISH		DIN A FERNANDEZ 01-20-05		CHK D DIXON 01-20-05	
APPROVED D DIXON 01-20-05		NAME		Tyco Electronics Corporation Harrisburg, PA 17105-3608		PRODUCT SPEC 108-1272	
APPLICATION SPEC 114-11005		SIZE		CAGE CODE DRAWING NO		RESTRICTED TO	
WEIGHT		A1 00779		C=5536272		CUSTOMER DRAWING	
SCALE 10:1		SHEET 1 OF 1		REV 03			

## Looking for pricing, stock, or lifecycle information?

Click below to explore more details on WIN SOURCE:

 [View 5536272-4 on WIN SOURCE](#)

 [TE Connectivity](#) Information

## Optimize Your Supply Chain with WIN SOURCE Solutions

-  Global Sourcing Solution
-  Obsolete Management
-  Cost Control Management
-  Shortage Management
-  Alternative Solution
-  Excess Inventory Management