



**THE DATASHEET OF
SKY55951-11**





SKYWORKS®

DATA SHEET

SKY55951-11: Sky 5® GNSS L1 + L5 Dual-Frequency Low-Noise Amplifier Front-End Module with Post-Filter

Applications

- 4G/5G cellular IoT modules
- Smartwatches
- Personal trackers
- Vehicle trackers
- Personal navigation devices
- Handheld computers
- Wi-Fi 6E enterprise access points

Features

- Dedicated L1 and L5 receive paths
- Small signal gain: 17 dB typical
- Low current consumption:
L1 = 1 mA, L5 = 1.9 mA @ 1.8 V
- Integrated input and output matching on L1 and L5 paths
- Integrated B13 notch on L1 path
- Single, wide DC supply range: 1.5 to 3.3 V
- Small MCM package
20-pin, 2.0 x 1.6 x 0.7 (nominal) mm
MSL3, 260 °C per JEDEC J-STD-020



Skyworks Green™ products are compliant with all applicable legislation and are halogen-free. For additional information, refer to *Skyworks Definition of Green™*, document number SQ04-0074.

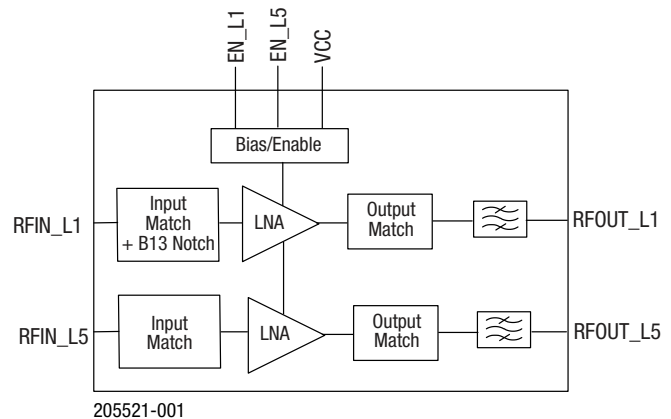


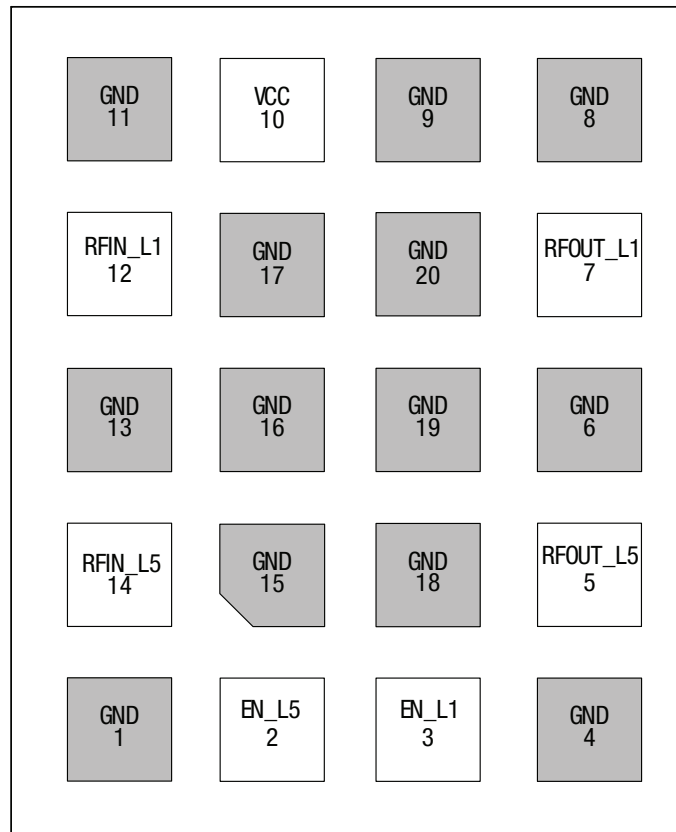
Figure 1. SKY55951-11 Block Diagram

Description

The SKY55951-11 front-end module (FEM) features an integrated L1 low-noise amplifier (LNA) and post-filter along with an L5 LNA and post-filter designed for Global Navigation Satellite System (GNSS) receiver applications. Part of our Sky5® portfolio, the SKY55951-11 provides high gain, low current consumption, and integrated input and output matching for L1 and L5, all in a compact package.

The L1 path also features an integrated B13 notch filter, providing excellent suppression (-50 dBm) of cellular low-band second harmonic signals impacting GPS L1 reception. The post-filtering on the L5 path also provides high (> 45 dBc) out-of-band rejection for interference below 1 GHz. The SKY55951-11 uses surface-mount technology (SMT) in a Multi-Chip Module (MCM), a proven and highly manufacturable solution.

A functional block diagram is shown in Figure 1. The pin configuration and package are shown in Figure 2. Signal pin assignments and functional pin descriptions are shown in Table 1.



205521-002

Figure 2. SKY55951-11 Pinout (Top View)

Table 1. SKY55951-11 Signal Descriptions

Pin	Name	Description	Pin	Name	Description
1	GND	Ground	11	GND	Ground
2	EN_L5	L5 enable	12	RFIN_L1	L1 RF input
3	EN_L1	L1 enable	13	GND	Ground
4	GND	Ground	14	RFIN_L5	L5 RF input
5	RFOUT_L5	L5 RF output	15	GND	Ground
6	GND	Ground	16	GND	Ground
7	RFOUT_L1	L1 RF output	17	GND	Ground
8	GND	Ground	18	GND	Ground
9	GND	Ground	19	GND	Ground
10	VCC	Supply	20	GND	Ground

Technical Description

LNA Enable

The VEN signal (pin 3) enables or disables the LNA. A logic high signal powers on the LNA and a logic low signal powers off the device.

Electrical and Mechanical Specifications

The absolute maximum ratings of the SKY55951-11 are provided in Table 2. The recommended operating conditions are specified in Table 3, and electrical specifications are provided in Tables 4 and 5.

Table 2. SKY55951-11 Absolute Maximum Ratings¹

Parameter	Symbol	Minimum	Maximum	Units
RF input power	P _{IN}		+10	dBm
Supply voltage	V _{CC}	0	3.6	V
Storage temperature	T _{STG}	-40	+85	°C
Junction temperature	T _J		+85	°C
Electrostatic discharge: Charged-Device Model (CDM), Class 3 Human Body Model (HBM), Class 1A	ESD		1000 500	V V

1. Exposure to maximum rating conditions for extended periods may reduce device reliability. There is no damage to device with only one parameter set at the limit and all other parameters set at or below their nominal value. Exceeding any of the limits listed here may result in permanent damage to the device.

ESD Handling: Industry-standard ESD handling precautions must be adhered to at all times to avoid damage to this device.

Table 3. SKY55951-11 Recommended Operating Conditions

Parameter	Symbol	Min	Typ	Max	Units
Frequency range	f _{L1}	1559	1575	1606	MHz
	f _{L5}	1164	1176	1189	MHz
Supply voltage	V _{CC}	1.5	1.8	3.3	V
LNA enable:					
Enable (high)	LNA _{ENABLE}	1.5	1.8	V _{CC}	V
Disable (low)	LNA _{DISABLE}		0	0.3	V
Case operating temperature	T _C	-40	+25	+85	°C

Table 4. SKY55951-11 Electrical Specifications¹
(VCC = 1.8 V, VEN = 1.8 V, f_{L1} = 1575 MHz, Tc = +25°C, Unless Otherwise Noted)

Parameter	Symbol	Test Condition	Min	Typ	Max	Units
Small signal gain f = 1561 MHz f = 1575 MHz f = 1602 MHz	S21	P _{IN} = -40 dBm	14.5 14.5 14.5	16.5 17 16.5	19.5 19.5 19.5	dB dB dB
Noise figure f = 1561 MHz f = 1575 MHz f = 1602 MHz	NF			1.4 1.4 1.5	2.2 2.2 2.2	dB dB dB
In-band third order input intercept point	IIP3	f1 = 1575 MHz @ P _{IN} = -40 dBm f2 = 1576 MHz @ P _{IN} = -40 dBm		-21		dBm
1 dB input compression point (in-band)	IP1dB			-29		dBm
Reverse isolation	S12	P _{IN} = -40 dBm		30		dB
Input return loss	S11	P _{IN} = -40 dBm		8		dB
Output return loss	S22	P _{IN} = -40 dBm		15		dB
Group delay	GD _{lay}			22		nS
Supply current	I _{cc}	No RF		1.0	2	mA
Shutdown current	I _{leak}	No RF, V _{EN} = 0 V		0.01	1	uA
Logic current	I _{Logic}	VCC 1.8 V, EN_L1 = 1.8 V VCC 1.8 V, EN_L1 = 0 V		0.01 0.01	1 1	uA uA
Out-of-band rejection	OOB	P _{IN} = 0 dBm, in-band referred: @ 777 to 798 MHz @ 806 to 928 MHz @ 1710 to 1980 MHz @ 2400 to 2500 MHz @ 5160 to 5560 MHz		93 87 70 77 69		dBc dBc dBc dBc dBc
B13 2nd harmonic	B13 _{2fo}	P _{IN} = -10 dBm @ 787.76 MHz measured @ 1575.52 MHz output referred		-53		dBm
Stability factor	K-Factor		1	2.3		k
LNA turn-on time	t _{ON}	P _{IN} = -40 dBm, V _{CC} = 1.8 V, 50% of V _{ENABLE} to 90% final RF power		1		us
LNA turn-off time	t _{OFF}	P _{IN} = -40 dBm, V _{CC} = 1.8 V, 50% of V _{ENABLE} to 10% final RF power		0.06		us

1. Performance is guaranteed only under the conditions listed in this table.

Table 5. SKY55951-11 Electrical Specifications¹
(VCC = 1.8 V, VEN = 1.8 V, f_L5 = 1176 MHz, Tc = +25°C, Unless Otherwise Noted)

Parameter	Symbol	Test Condition	Min	Typ	Max	Units
Small signal gain: f = 1164 MHz f = 1176 MHz f = 1189 MHz	S21	PIN = -40 dBm	14 14 14	17.5 17.5 17.5	20.5 20.5 20.5	dB dB dB
Noise figure: f = 1164 MHz f = 1176 MHz f = 1189 MHz	NF			1.1 1.1 1.1	1.7 1.7 1.7	dB dB dB
In-band third order input intercept point	IIP3	f1 = 1176 MHz @ PIN = -40 dBm f2 = 1177 MHz @ PIN = -40 dBm		-18		dBm
1 dB input compression point (in-band)	IP1dB			-13.8		dBm
Reverse isolation	S12	PIN = -40 dBm		47		dB
Input return loss	S11	PIN = -40 dBm		7		dB
Output return loss	S22	PIN = -40 dBm		18		dB
Group delay	GDlay			15		nS
Supply current	Icc	No RF		2	3	mA
Shutdown current	Ileak	No RF, VEN = 0 V		0.01	1	uA
Logic current	ILogic	VCC 1.8 V, EN_L5 = 1.8 V VCC 1.8 V, EN_L5 = 0 V		0.01 0.01	1 1	uA uA
Out-of-band rejection	OOB	PIN = 0 dBm, in-band referred: @ 777 to 960 MHz @ 1427 to 1463 MHz @ 1710 to 1980 MHz @ 2400 to 2500 MHz @ 5160 to 5560 MHz		48 33 56 48 52		dBc dBc dBc dBc dBc
Stability factor	K-Factor		1	13		k
LNA turn-on time	ton	PIN = -40 dBm, VCC = 1.8 V, 50% of VENABLE to 90% final RF power		1.2		us
LNA turn-off time	toff	PIN = -40 dBm, VCC = 1.8 V, 50% of VENABLE to 10% final RF power		0.1		us

1. 1 Performance is guaranteed only under the conditions listed in this table.

Evaluation Board

An Evaluation Board is used to test the performance of the SKY55951-11. A schematic of the Evaluation Board is provided in Figure 3. An assembly diagram of the Evaluation Board is shown in Figure 4. Table 6 provides the Evaluation Board Bill of Materials.

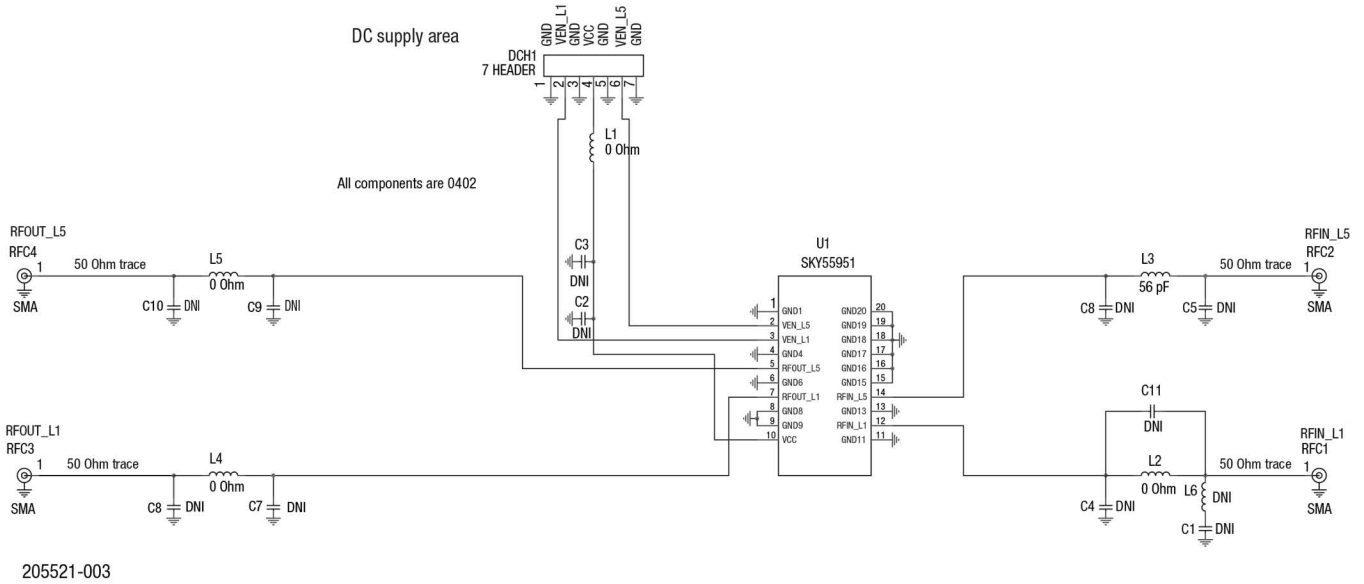


Figure 3. SKY55951-11 Evaluation Board Schematic

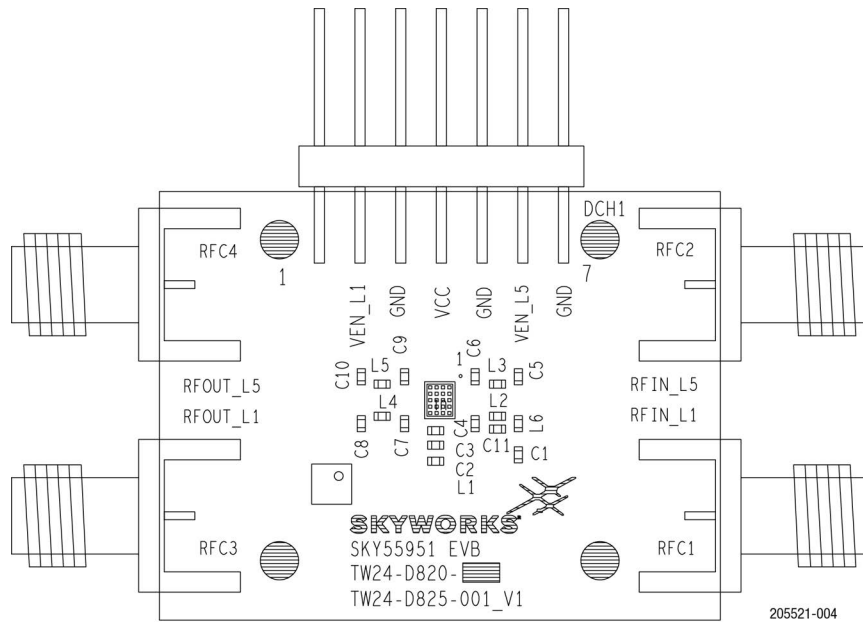


Figure 4. SKY55951-11 Evaluation Board Assembly Diagram

Table 6. SKY55951-11 Evaluation Board Bill of Materials

Component	PCB Number	PCB Variant	Size	Description
L1, L2, L4, L5 ¹	5424R27-134		0402	Resistor, 0 ohm, 5%, 0.063 W
RFC1, RFC2, RFC3, RFC4	615R54-021			SMA .062 edge connector (EF Johnson)
DCH1	615R31-005			7 HEADER_13_HDR_2540P_1X7_SMT_I
U1	SKY55951			SKY55951-11
C1, C2, C3, C4, C5, C6, C7, C8, C9, C10, C11, L6	Do not install			
L3	GRM1555C1H560JZ01		0402	Ceramic capacitor, 56 pF, Murata
	TW24-D825-001	V1		PCB, SKY55951-11 Sky 5 [®] GNSS L1 + L5 FEM

1. 56 pF DC block required at RFIN_L5 pin

Package Dimensions

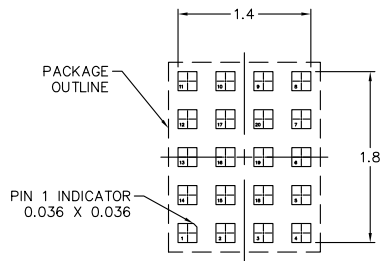
The PCB layout footprint for the SKY55951-11 is provided in Figure 5. The typical part marking is shown in Figure 6. Package dimensions are shown in Figure 7, and tape and reel dimensions are provided in Figure 8.

Package and Handling Information

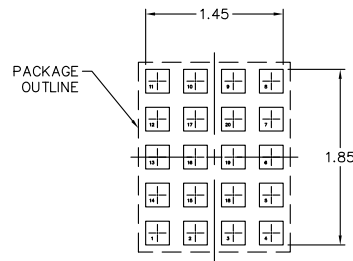
Since the device package is sensitive to moisture absorption, it is baked and vacuum packed before shipping. Instructions on the shipping container label regarding exposure to moisture after the container seal is broken must be followed. Otherwise, problems related to moisture absorption may occur when the part is subjected to high temperature during solder assembly.

The SKY55951-11 is rated to Moisture Sensitivity Level 3 (MSL3) at 260 °C. It can be used for lead or lead-free soldering. For additional information, refer to the Skyworks Application Note, “PCB Design & SMT Assembly/Rework Guidelines for MCM-L Packages,” document number 101752.

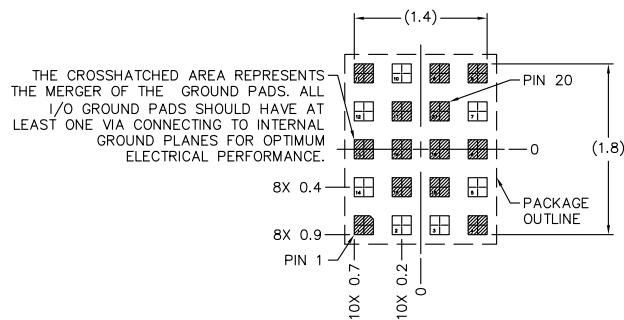
Care must be taken when attaching this product, whether it is done manually or in a production solder reflow environment. Production quantities of this product are shipped in a standard tape and reel format.



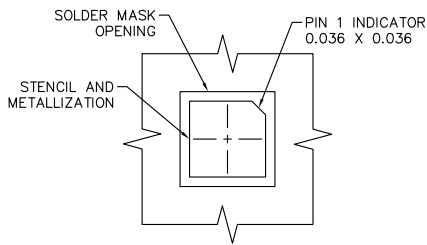
STENCIL APERTURE
TOP VIEW



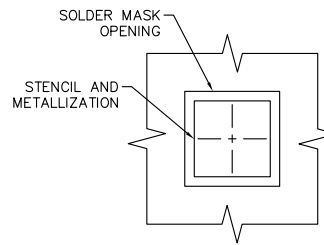
SOLDER MASK OPENING
TOP VIEW



METALLIZATION
TOP VIEW



SMT PAD DETAIL
PAD
SCALE: 4X
1X THIS ROTATION



SMT PAD DETAIL
PAD
SCALE: 4X
19X THIS ROTATION

NOTES:

1. DIMENSIONS ARE IN MILLIMETERS, UNLESS OTHERWISE SPECIFIED.
2. THERMAL VIAS SHOULD BE RESIN FILLED AND CAPPED IN ACCORDANCE WITH IPC-4761 TYPE VII VIAS. 30-35UM Cu THICKNESS IS RECOMMENDED.

205521-005

Figure 5. SKY55951-11 PCB Layout Footprint

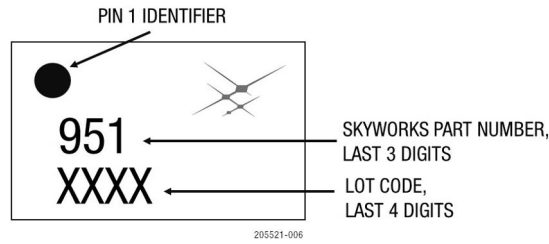
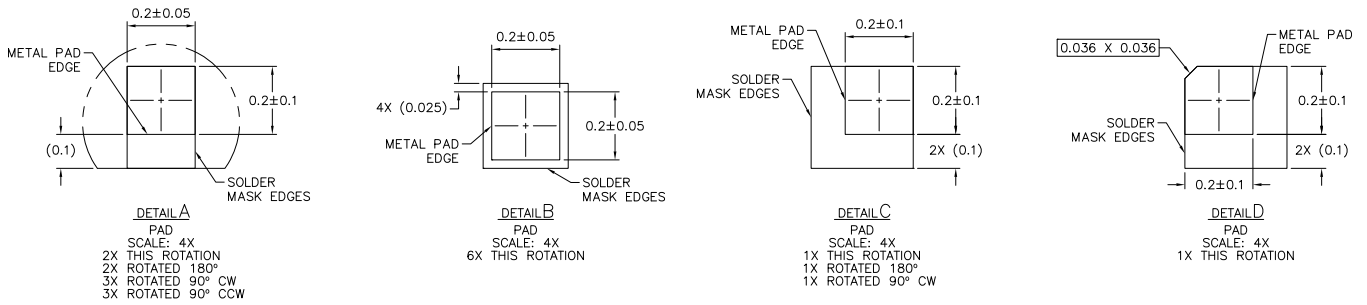
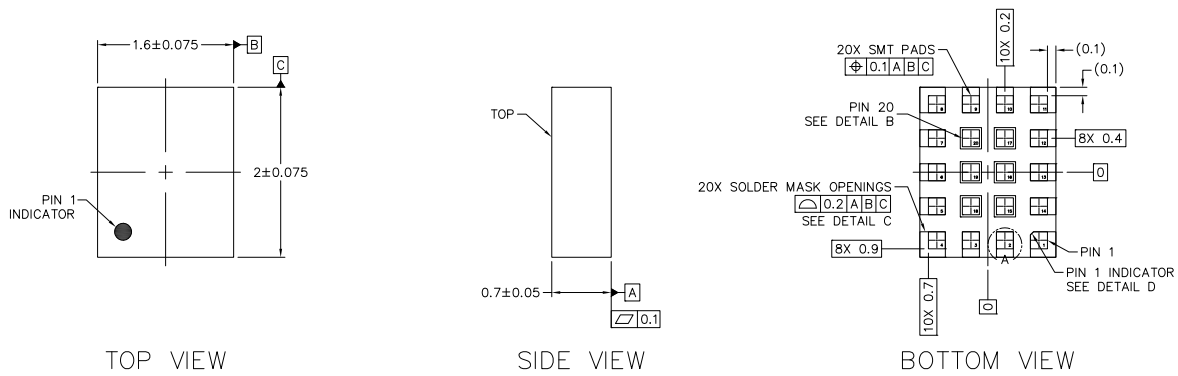


Figure 6. SKY55951-11 Typical Part Marking



NOTES: UNLESS OTHERWISE SPECIFIED.

1. DIMENSIONING AND TOLERANCING IN ACCORDANCE WITH ASME Y14.5M-1994.
2. DIMENSIONS ARE IN MILLIMETERS
3. PAD DEFINITIONS PER DETAILS ON DRAWING.

205521-007

Figure 7. SKY55951-11 Package Dimensions

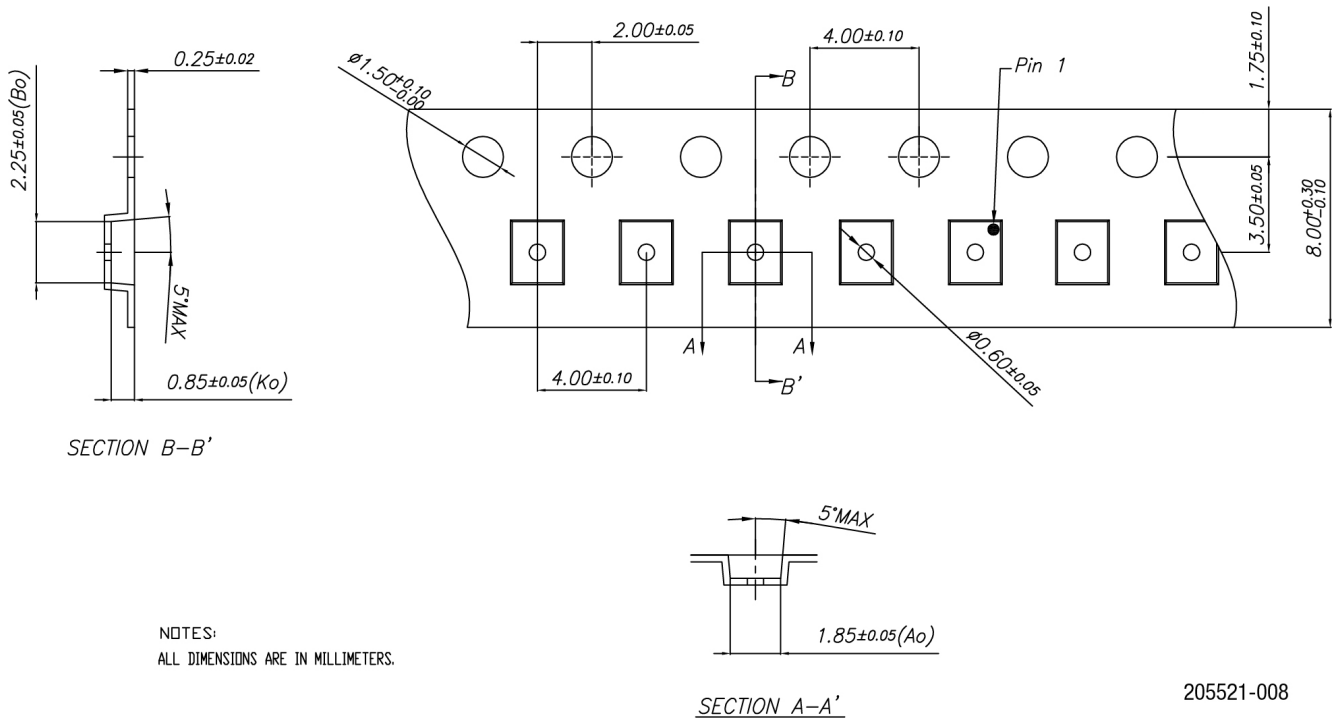


Figure 8. SKY55951-11 Tape and Reel Dimensions

Ordering Information

Part Number	Part Description	Evaluation Board Part Number
SKY55951-11	GNSS L1 + L5 Dual-Frequency Low-Noise Amplifier Front-End Module with Post-Filter	SKY85347-11EK1

Copyright © 2019-2021, 2023, Skyworks Solutions, Inc. All Rights Reserved.

Information in this document is provided in connection with Skyworks Solutions, Inc. ("Skyworks") products or services. These materials, including the information contained herein, are provided by Skyworks as a service to its customers and may be used for informational purposes only by the customer. Skyworks assumes no responsibility for errors or omissions in these materials or the information contained herein. Skyworks may change its documentation, products, services, specifications or product descriptions at any time, without notice. Skyworks makes no commitment to update the materials or information and shall have no responsibility whatsoever for conflicts, incompatibilities, or other difficulties arising from any future changes.

No license, whether express, implied, by estoppel or otherwise, is granted to any intellectual property rights by this document. Skyworks assumes no liability for any materials, products or information provided hereunder, including the sale, distribution, reproduction or use of Skyworks products, information or materials, except as may be provided in Skyworks' Terms and Conditions of Sale.

THE MATERIALS, PRODUCTS AND INFORMATION ARE PROVIDED "AS IS" WITHOUT WARRANTY OF ANY KIND, WHETHER EXPRESS, IMPLIED, STATUTORY, OR OTHERWISE, INCLUDING FITNESS FOR A PARTICULAR PURPOSE OR USE, MERCHANTABILITY, PERFORMANCE, QUALITY OR NON-INFRINGEMENT OF ANY INTELLECTUAL PROPERTY RIGHT; ALL SUCH WARRANTIES ARE HEREBY EXPRESSLY DISCLAIMED. SKYWORKS DOES NOT WARRANT THE ACCURACY OR COMPLETENESS OF THE INFORMATION, TEXT, GRAPHICS OR OTHER ITEMS CONTAINED WITHIN THESE MATERIALS. SKYWORKS SHALL NOT BE LIABLE FOR ANY DAMAGES, INCLUDING BUT NOT LIMITED TO ANY SPECIAL, INDIRECT, INCIDENTAL, STATUTORY, OR CONSEQUENTIAL DAMAGES, INCLUDING WITHOUT LIMITATION, LOST REVENUES OR LOST PROFITS THAT MAY RESULT FROM THE USE OF THE MATERIALS OR INFORMATION, WHETHER OR NOT THE RECIPIENT OF MATERIALS HAS BEEN ADVISED OF THE POSSIBILITY OF SUCH DAMAGE.



Skyworks products are not intended for use in medical, lifesaving or life-sustaining applications, or other equipment in which the failure of the Skyworks products could lead to personal injury, death, physical or environmental damage. Skyworks customers using or selling Skyworks products for use in such applications do so at their own risk and agree to fully indemnify Skyworks for any damages resulting from such improper use or sale.

Customers are responsible for their products and applications using Skyworks products, which may deviate from published specifications as a result of design defects, errors, or operation of products outside of published parameters or design specifications. Customers should include design and operating safeguards to minimize these and other risks. Skyworks assumes no liability for applications assistance, customer product design, or damage to any equipment resulting from the use of Skyworks products outside of Skyworks' published specifications or parameters.

Skyworks, the Skyworks symbol, Sky5®, SkyOne®, SkyBlue™, Skyworks Green™, ClockBuilder®, DSPLL®, ISOModem®, ProSLIC®, SiPHY®, and RFelC® are trademarks or registered trademarks of Skyworks Solutions, Inc. or its subsidiaries in the United States and other countries. Third-party brands and names are for identification purposes only and are the property of their respective owners. Additional information, including relevant terms and conditions, posted at www.skyworksin.com, are incorporated by reference.

Looking for pricing, stock, or lifecycle information?

Click below to explore more details on WIN SOURCE:

-  [View SKY55951-11 on WIN SOURCE](#)
-  [Skyworks Solutions Inc. Information](#)

Optimize Your Supply Chain with WIN SOURCE Solutions

-  Global Sourcing Solution
-  Obsolete Management
-  Cost Control Management
-  Shortage Management
-  Alternative Solution
-  Excess Inventory Management