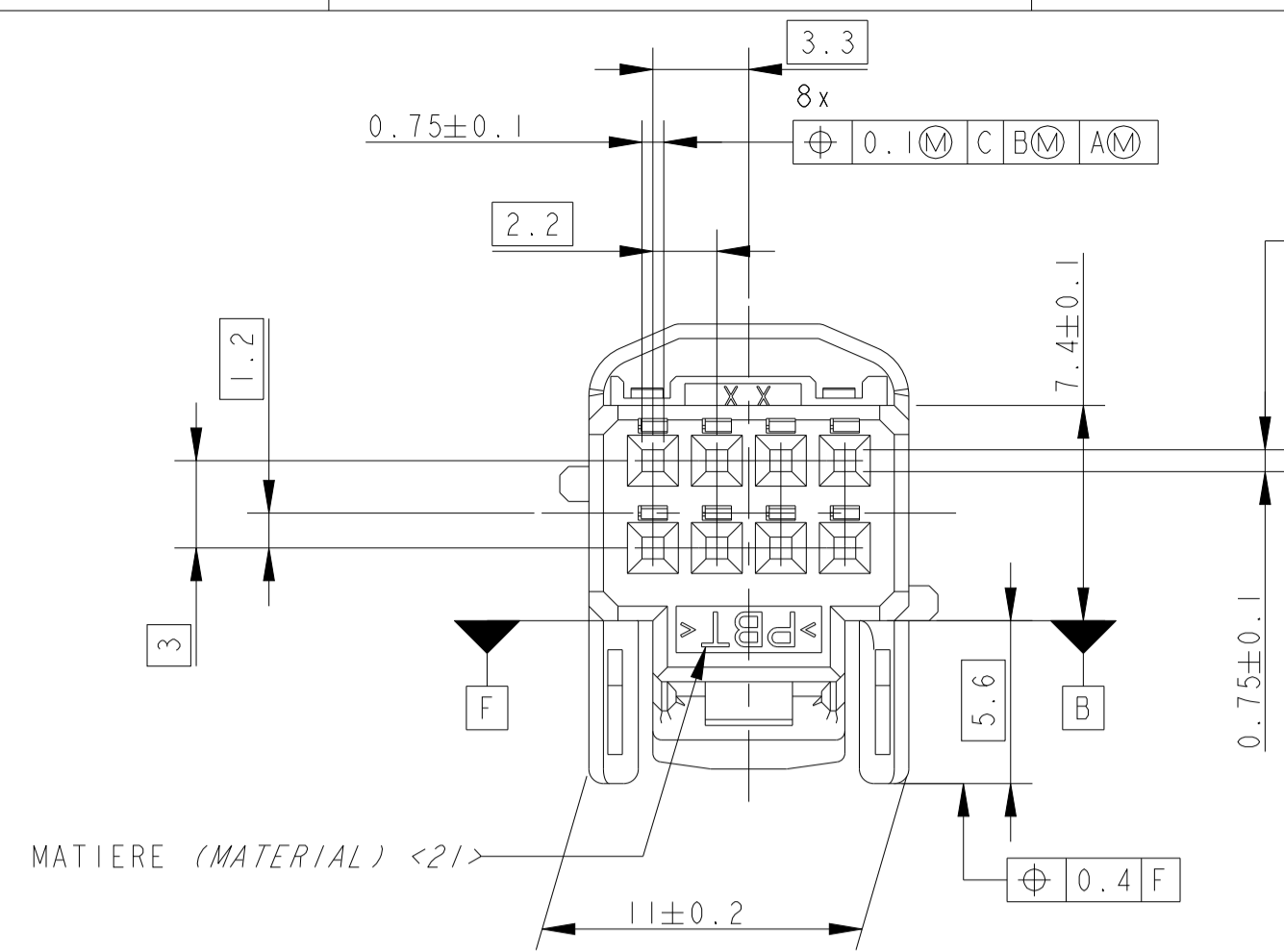
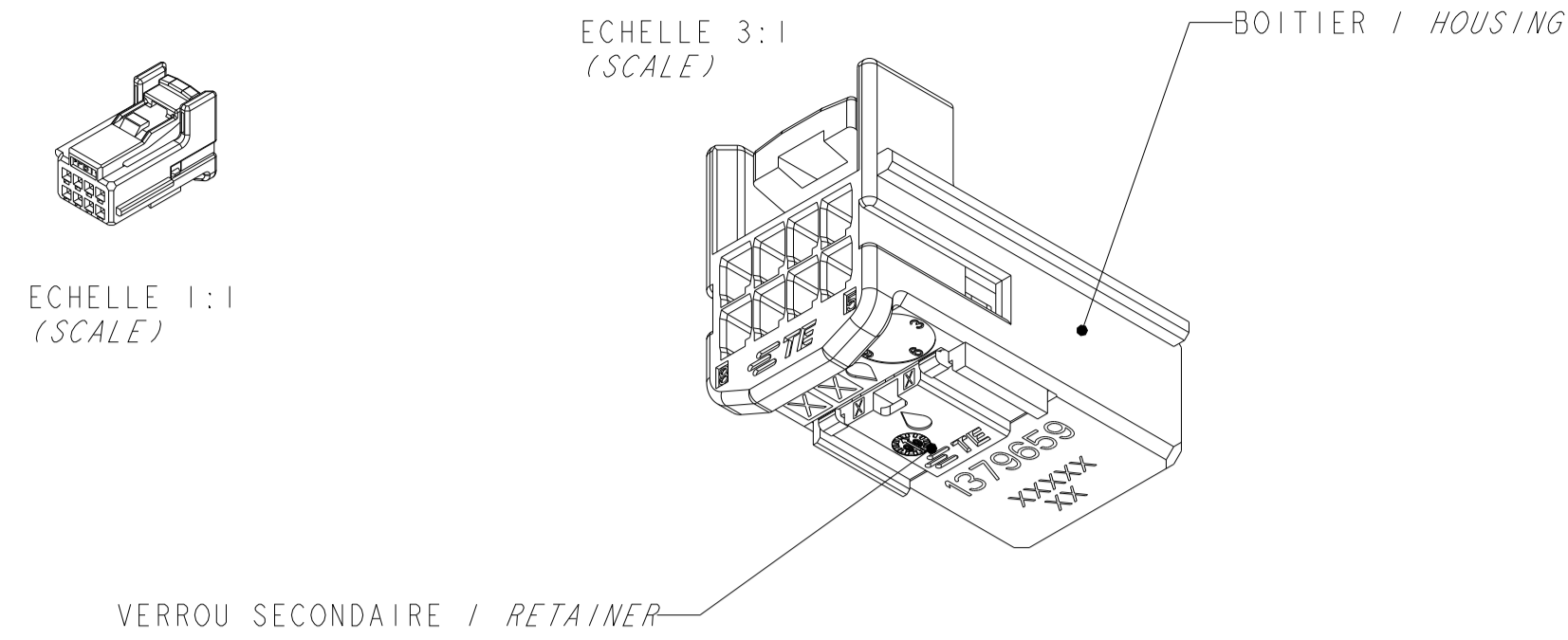




THE DATASHEET OF
1379659-2



LOC		DIST		REVISIONS				
P	LTN	REV	DATE	DESCRIPTION MODIFICATIONS	DATE	OWN	APP	
F		00						
J			23OCT2014	CHANGE PROCESS OF ASSEMBLY TRACEABILITY		DB	JPP	
K			26JUL2016	ADD ALTERNATE DESIGN FOR TOP END OF LOCKING LATCH		DB	XR	
L			19DEC2016	ADD NEW PN 1379659-6 AND 1379659-7		DB	XR	
M			14JUN2022	PN 1674298-1 replace with PN 1123343-1		CS	XR	



NOTES : LES NOTES LOCALES SONT ENTRE <-> LOCAL NOTES ARE BETWEEN <->

SPECIFICATIONS DE REFERENCE : APPLICABLE SPECIFICATION :

2 SPECIFICATION TE : 108-15299 TE SPECIFICATION (SEE BEFORE)

4 PLAN D'INTERFACE TE : 1379775 TE INTERFACE DRAWING (SEE BEFORE)

NOTES COMPLEMENTAIRES : ADDITIONAL NOTES :

12 CAHIER DE PRECONISATION : 411-15672 INSTRUCTION SHEET : (SEE BEFORE)

13 REFERENCE REPRESENTEE : 1379659-1 PART NUMBER SHOWN (SEE BEFORE)

14 VERROU SECONDAIRE PREVERROUILLE (POSITION PREFERENTIELLE DE LIVRAISON). SI LE VERROU N'EST PAS DANS CETTE POSITION, SUIVRE LES INSTRUCTIONS DE LA NOTICE TECHNIQUE TE CONNECTIVITY 411-15672 SECONDARY LOCK IN PRELOCKED POSITION (PREFERRED DELIVERY POSITION). IF SECONDARY LOCKING IS NOT IN THIS POSITION, FOLLOW INSTRUCTIONS OF TE CONNECTIVITY SPECIFICATION 411-15672

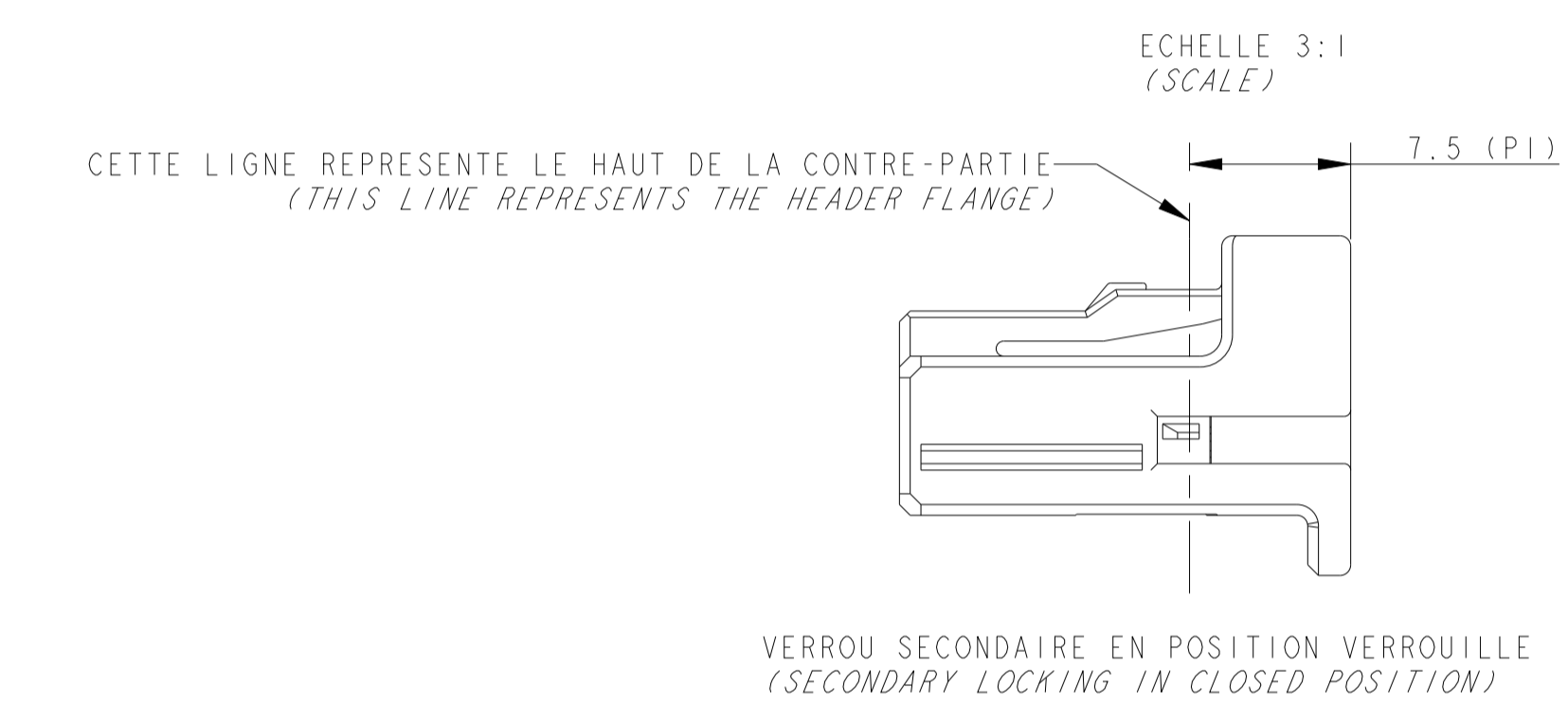
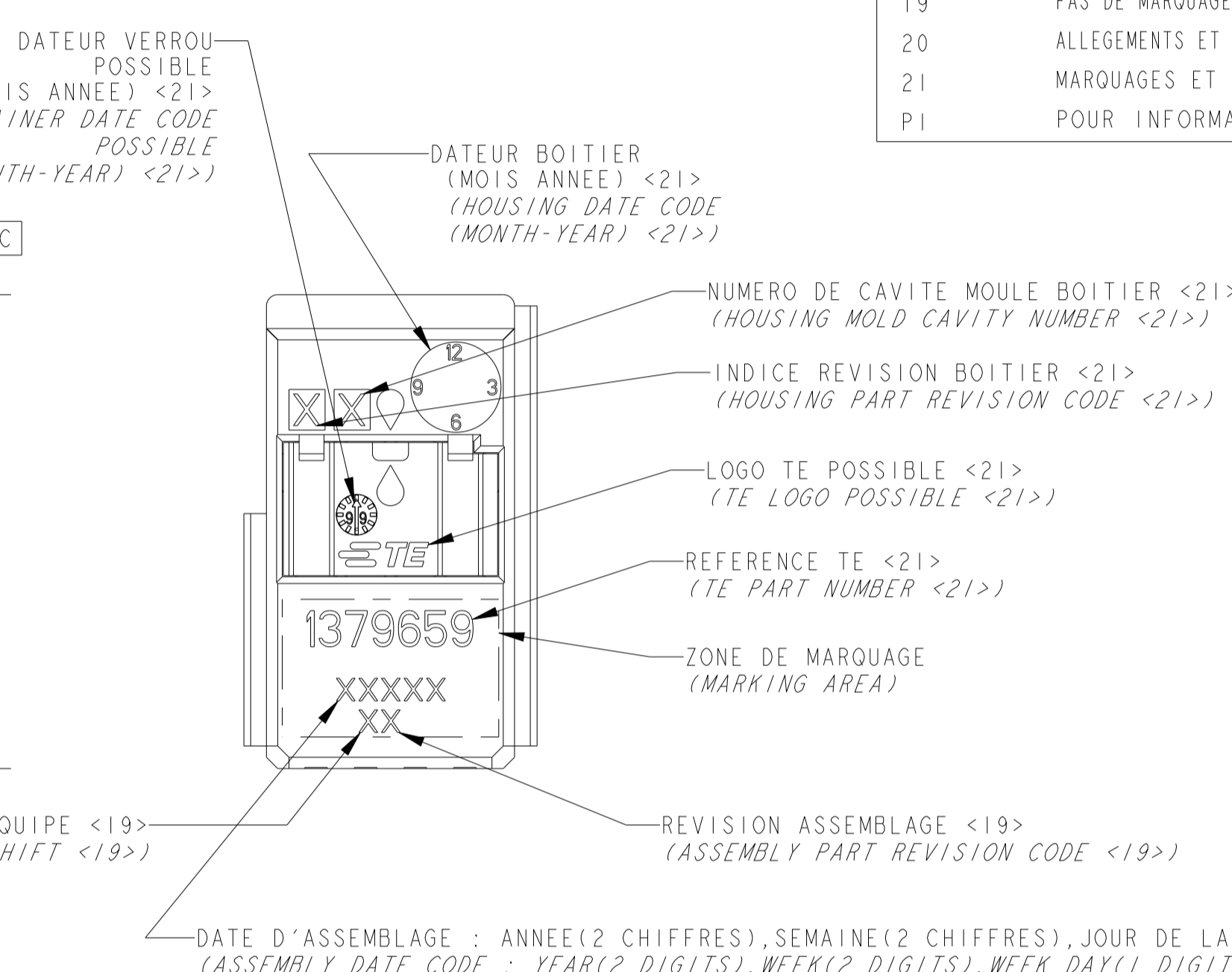
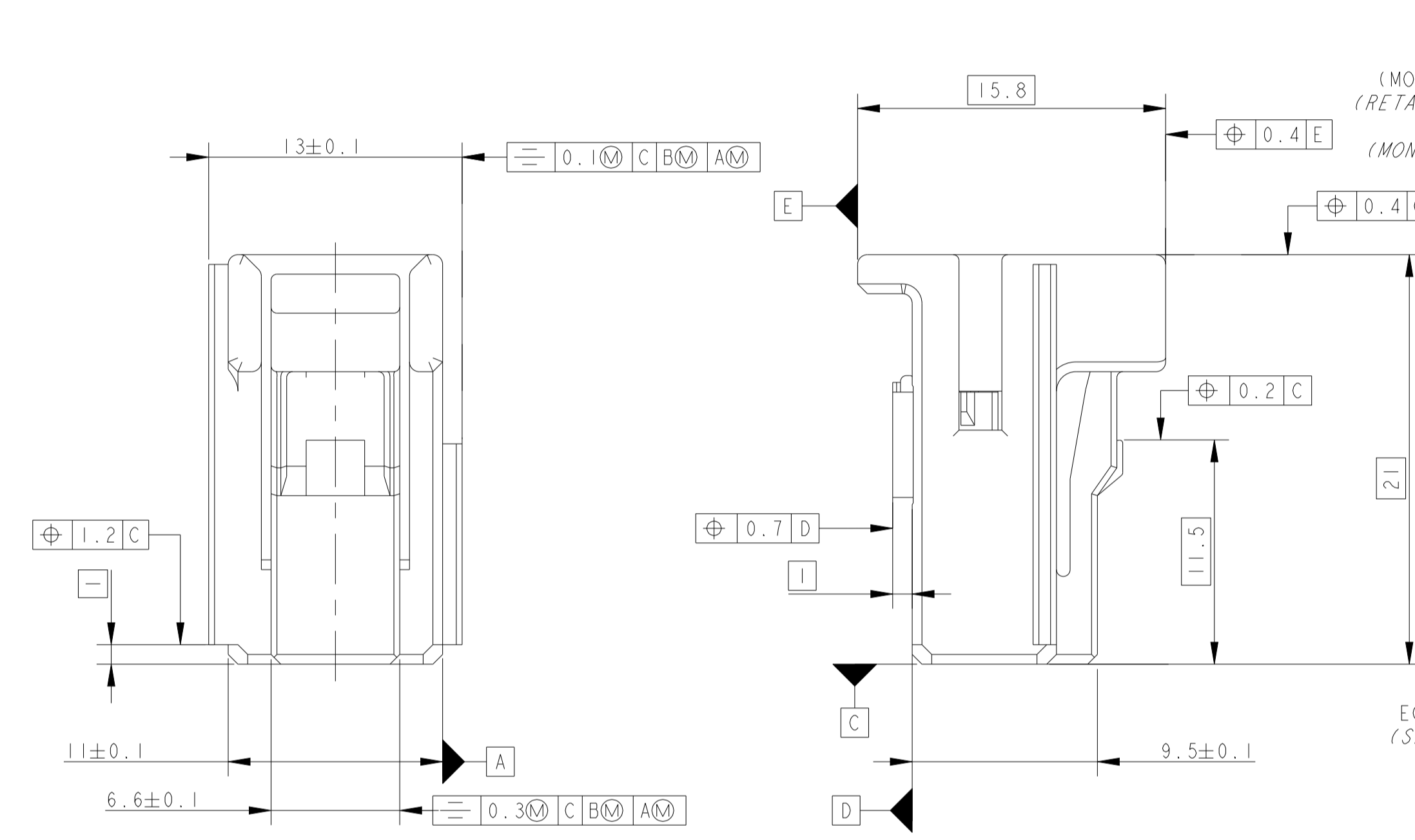
18 LES DIFFERENTES VERSIONS SONT LIVREES DE FACON ALEATOIRE THE DIFFERENT VERSIONS ARE DELIVERED SO RANDOM

19 PAS DE MARQUAGE POUR LES PIECES DIRECTEMENT ASSEMBLEES APRES MOULAGE NO MARKING REQUIRED FOR THE PART MOLDING WITH DIRECT ASSEMBLY

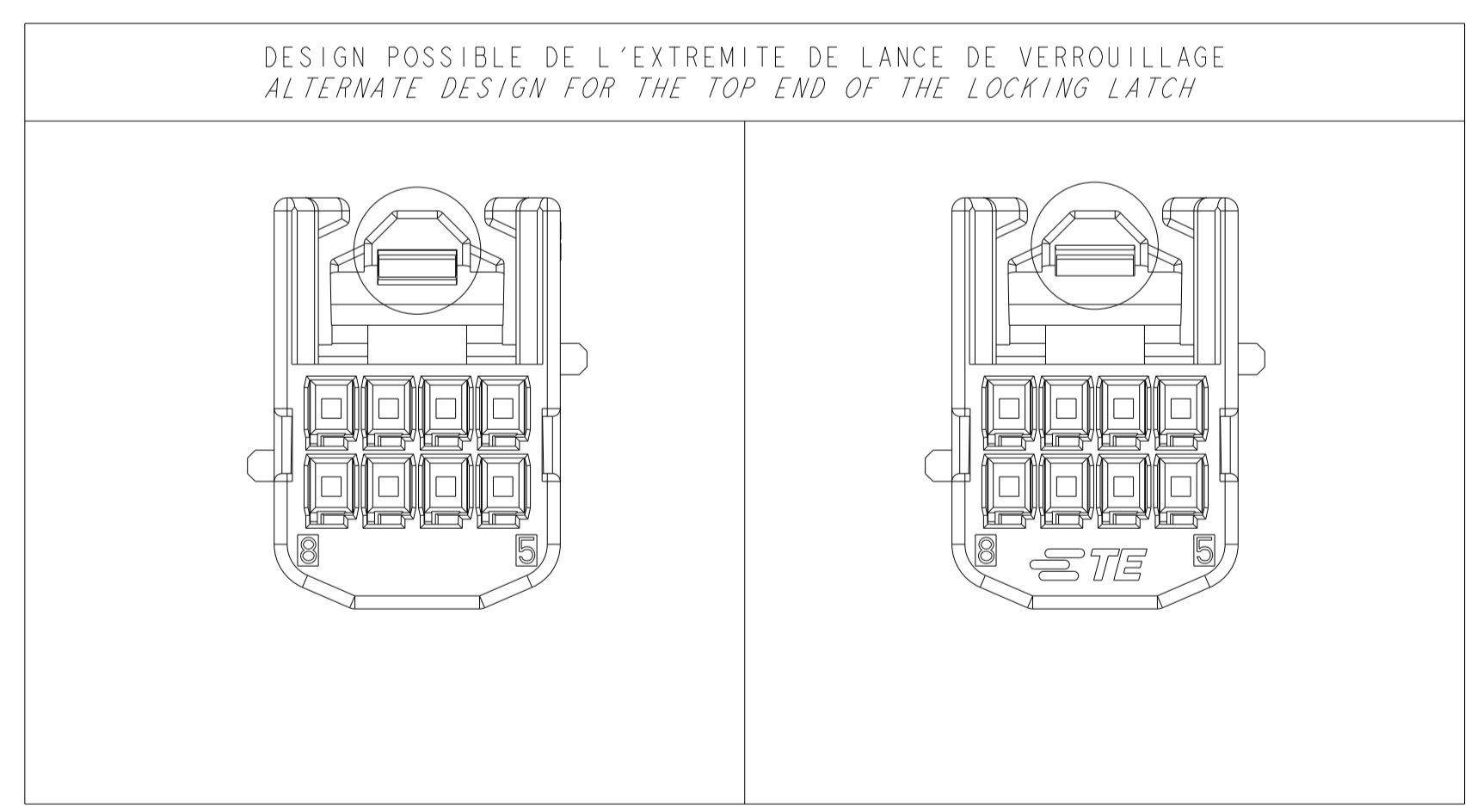
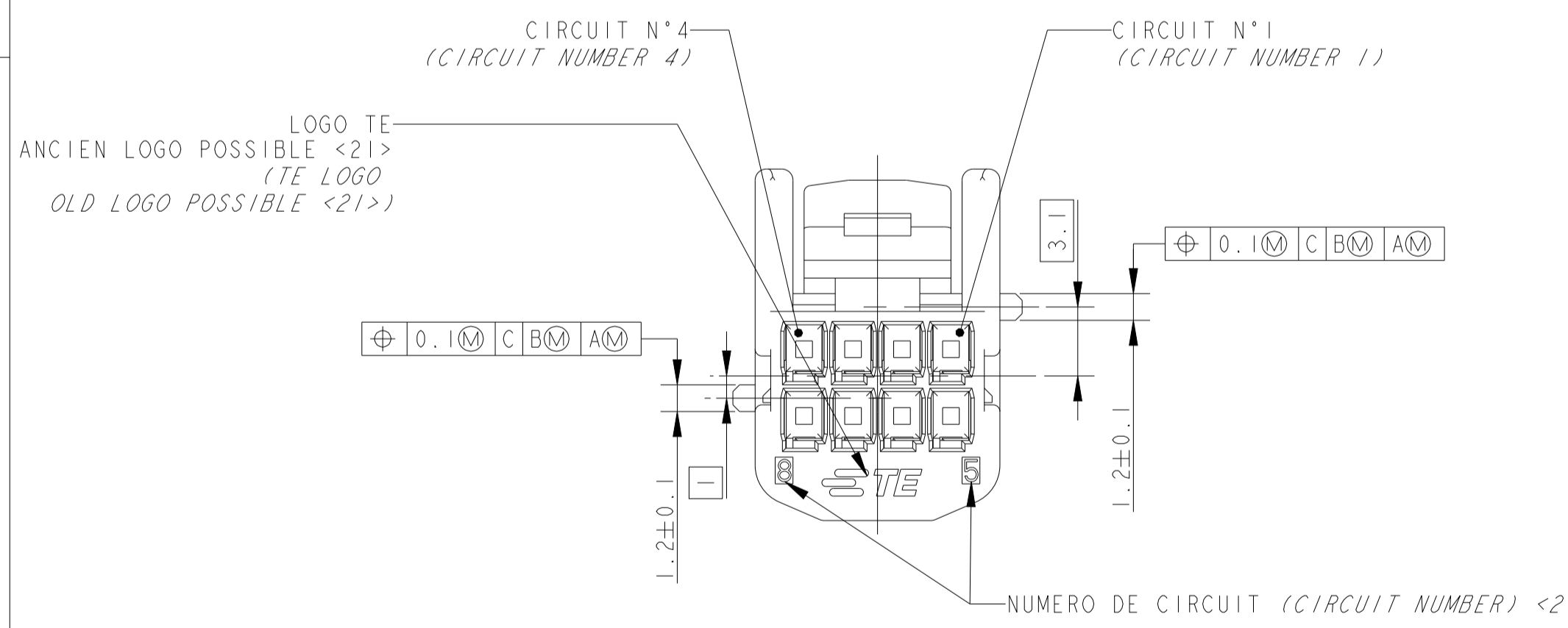
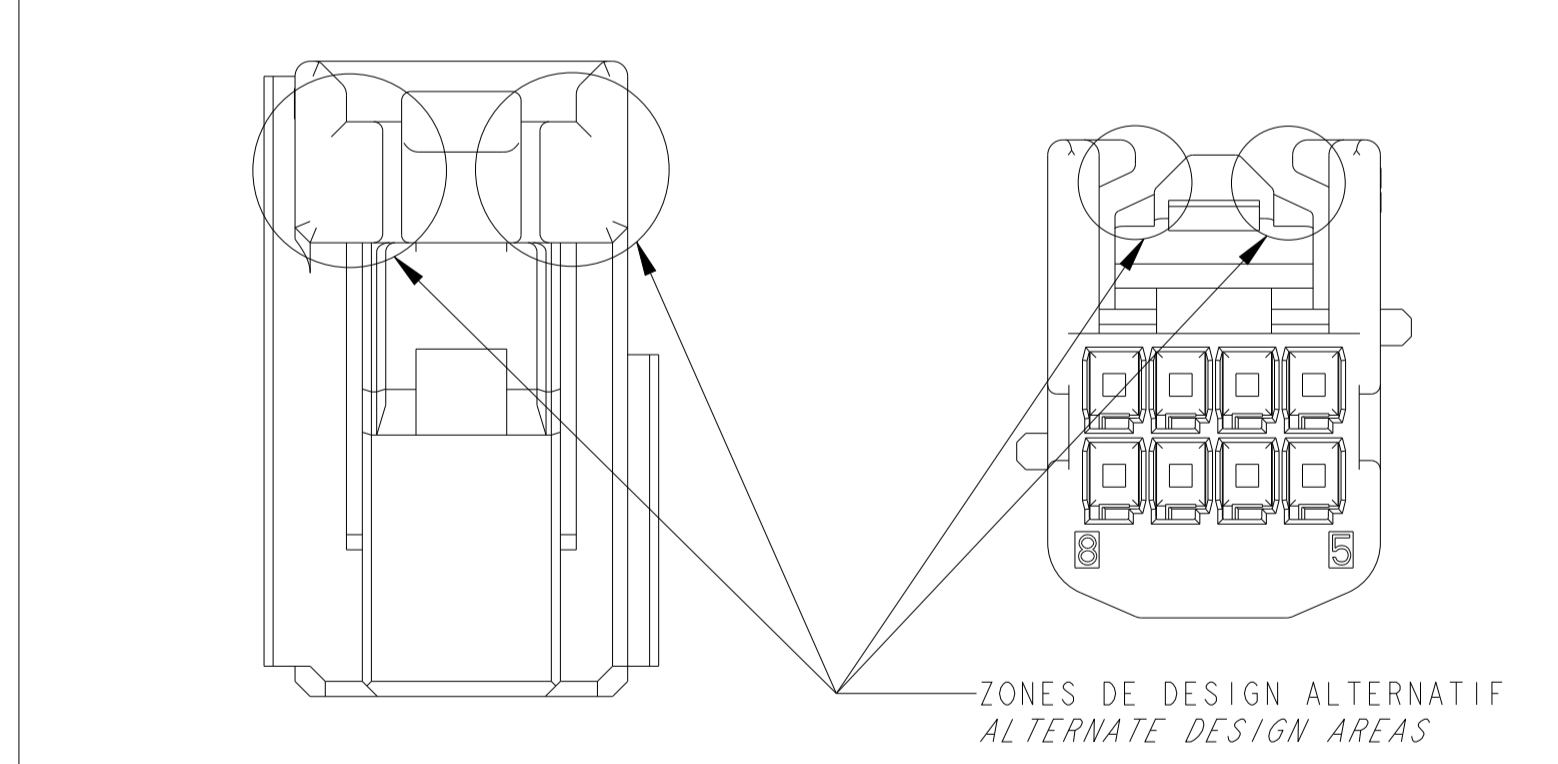
20 ALLEGEMENTS ET FORMES COSMETIQUES PEUVENT DIFFERER D'UN MOULE A L'AUTRE LIGHTENINGS (DIMENSION & LOCATION), COSMETIC SHAPES CAN DIFFER FROM ONE MOLD TO ANOTHER

21 MARQUAGES ET POSITIONS PEUVENT DIFFERER D'UN MOULE A L'AUTRE MARKING TYPE & LOCATION CAN DIFFER FROM ONE MOLD TO ANOTHER

P1 POUR INFORMATION FOR REFERENCE ONLY



DESIGN POSSIBLE AVEC FONCTION ANTI OVERSTRESS DE LA LANCE, VOIR NOTE 18 (ALTERNATE DESIGN WITH ANTI OVERSTRESS FUNCTION OF THE LATCH, SEE NOTE 18)



CONTACTS ASSOCIES LISTE NON EXHAUSTIVE (APPLIED CONTACTS NON EXHAUSTIVE LIST)

REFERENCE TE (TE PART NUMBER)	FINITION (FINISH)	DESIGNATION (DESIGNATION)
1123343-2	DORE (0.38µm) / GOLDDED (0.38µm)	CLIP .635 (.635 CONTACT) 0.22 A 0.5 MM ² (SQMM)
1801069-2	DORE (0.8µm) / GOLDDED (0.8µm)	CLIP .635 (.635 CONTACT) 0.22 A 0.5 MM ² (SQMM)
1123343-1	ETAME (TINNED)	CLIP .635 (.635 CONTACT) 0.22 A 0.5 MM ² (SQMM) (M)

TE PART NUMBER	DESCRIPTION / DESCRIPTION	CODAGE / KEYING	MATIERE BOITIER - MATIERE VERROU SECONDAIRE / HOUSING MATERIAL - RETAINER MATERIAL	COULEUR BOITIER - COULEUR VERROU SECONDAIRE / HOUSING COLOR - RETAINER COLOR	REVISION ASSEMBLAGE / ASSEMBLY REVISION CODE
1379659-7	CONNECTEUR 8 VOIES / 8 WAY CONNECTOR	7 / 7	PBT-PBT / PBT-PBT	VIOLET-NATUREL / PURPLE-NATURAL	B
1379659-6	CONNECTEUR 8 VOIES / 8 WAY CONNECTOR	6 / 6	PBT-PBT / PBT-PBT	ROUGE-NATUREL / RED-NATURAL	B
1379659-5	CONNECTEUR 8 VOIES / 8 WAY CONNECTOR	NEUTRE / NEUTRAL	PBT-PBT / PBT-PBT	NATUREL-NATUREL / NATURAL-NATURAL	B
1379659-4	CONNECTEUR 8 VOIES / 8 WAY CONNECTOR	4 / 4	PBT-PBT / PBT-PBT	VERT-NATUREL / GREEN-NATURAL	B
1379659-3	CONNECTEUR 8 VOIES / 8 WAY CONNECTOR	3 / 3	PBT-PBT / PBT-PBT	BLEU-NATUREL / BLUE-NATURAL	B
1379659-2	CONNECTEUR 8 VOIES / 8 WAY CONNECTOR	2 / 2	PBT-PBT / PBT-PBT	GRIS-NATUREL / GREY-NATURAL	B
1379659-1	CONNECTEUR 8 VOIES / 8 WAY CONNECTOR	1 / 1	PBT-PBT / PBT-PBT	NOIR-NATUREL / BLACK-NATURAL	B

THIS DRAWING IS A CONTROLLED DOCUMENT. OWN / BREVETE : 29 OCT 2002 D. BANCE / CHQ PERITE : 04 NOV 2002 B. DUPOND

APVD APPROUVE 04 NOV 2002

TE Connectivity

025 TH 8 POS PLUG HOUSING

SIZE FORMAT: A1

CAGE CODE: 00779

DRAWING NO: 1379659

RESTRICTED TO RESERVE A

CUSTOMER DRAWING / PLAN CLIENT UNIFORMITE FOUR REFERENCE

SCALE ECHELLE: 4:1

SHEET FEUILLE: 1 OF 2

REV: M

LOC		DIST		REVISIONS			
P	LTN	REV	DESCRIPTION	DATE	DWN	APVD	APP.
			SEE SHEET 1				

PN 1379659-1	PN 1379659-2	PN 1379659-3	PN 1379659-4	PN 1379659-5	PN 1379659-6	PN 1379659-7
CODAGE 1 (NOIR) KEYING 1 (BLACK)	CODAGE 2 (GRIS) KEYING 2 (GRAY)	CODAGE 3 (BLEU) KEYING 3 (BLUE)	CODAGE 4 (VERT) KEYING 4 (GREEN)	CODAGE NEUTRE (NATUREL) NEUTRAL KEYING (NATURAL)	CODAGE 6 (ROUGE) KEYING 6 (RED)	CODAGE 7 (VIOLET) KEYING 7 (PURPLE)

THIS DRAWING IS A CONTROLLED DOCUMENT.

DIMENSIONS: mm

TOLERANCES UNLESS OTHERWISE SPECIFIED: (SUIVIR DE DECIMALES):
 0 P.L.C./DEC ±
 1 P.L.C./DEC ±
 2 P.L.C./DEC ±0.2
 3 P.L.C./DEC ±
 4 P.L.C./DEC ±
 ANGLES ±5°

FINISH / FINITION

MATERIAL / MATIERE: SEE TABLE

OWN / BRESINE: 29 OCT 2002
 D. BANCE
 CHK / VERIFIE: 04 NOV 2002
 B. DUPOND

APVD / APPROUVE: 04 NOV 2002
 JP. PICAUD

PRODUCT SPEC: SEE TABLE
 APPLICATION SPEC: SEE TABLE
 SPEC. APPLICATION: SEE TABLE

WEIGHT: -
 MASSE APPROX.:

SIZE: A1
 FORMAT: A1

CAGE CODE: 00779
 DRAWING NO: 1379659

RESTRICTED TO RESERVE A

CUSTOMER DRAWING / PLAN CLIENT: UNIFORMEMENT FOUR REFERENCE
 SCALE: 4:1
 SHEET: 2 OF 2
 REV: M

TE Connectivity

025 TH 8 POS PLUG HOUSING

Looking for pricing, stock, or lifecycle information?

Click below to explore more details on WIN SOURCE:

 [View 1379659-2 on WIN SOURCE](#)

 [TE Connectivity](#) Information

Optimize Your Supply Chain with WIN SOURCE Solutions

-  Global Sourcing Solution
-  Obsolete Management
-  Cost Control Management
-  Shortage Management
-  Alternative Solution
-  Excess Inventory Management