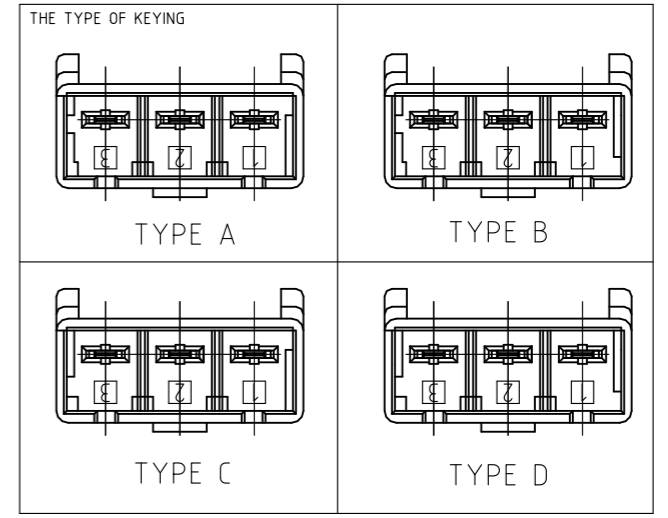
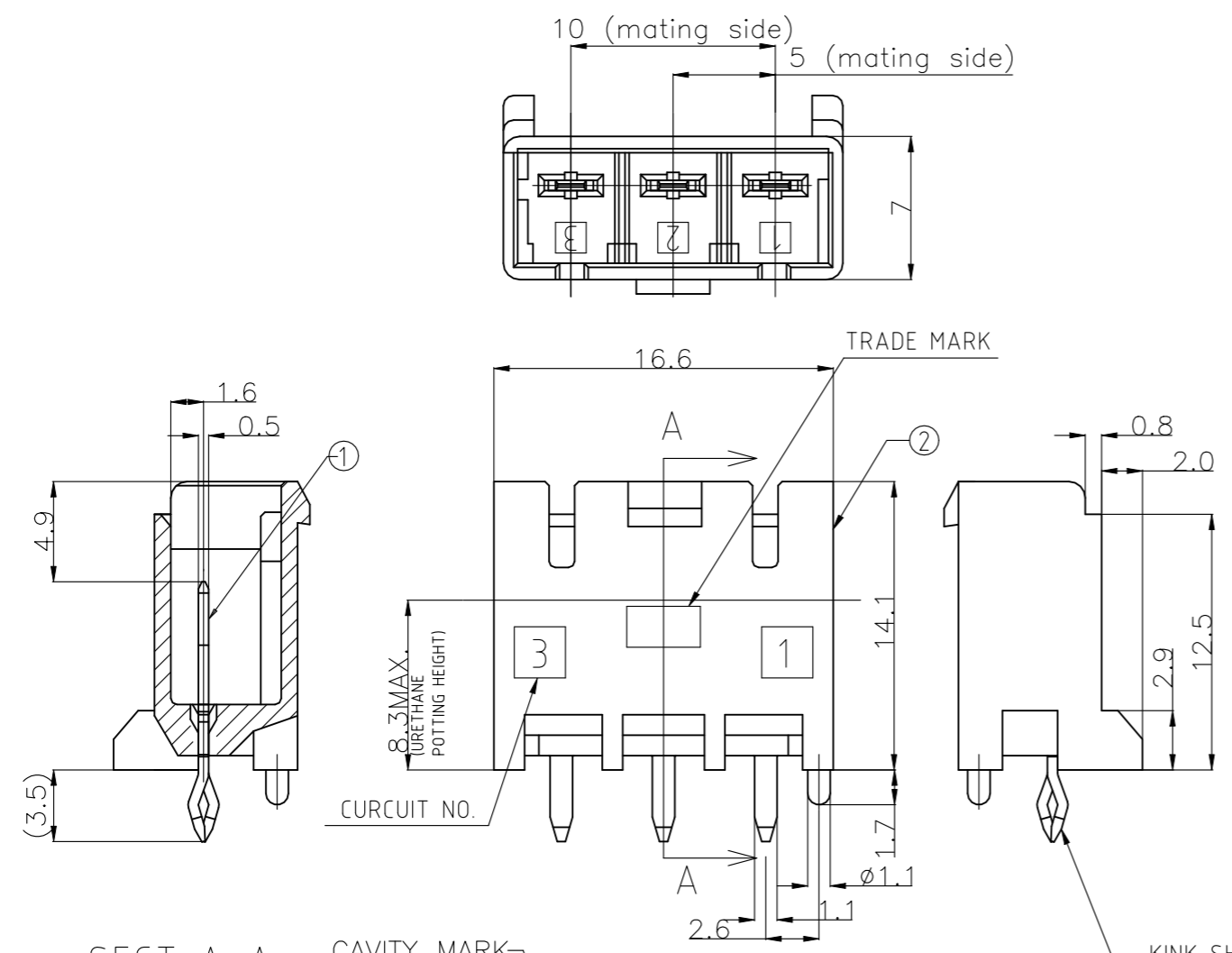
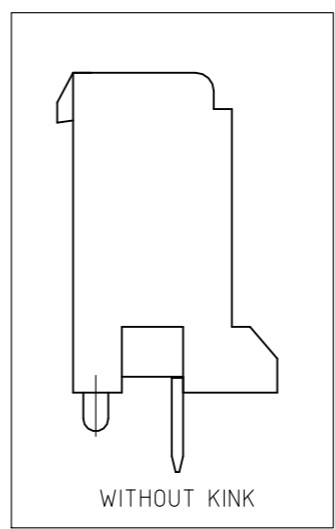


THIS DRAWING IS UNPUBLISHED. RELEASED FOR PUBLICATION
 © COPYRIGHT - Tyco Electronics JAPAN G.K. ALL RIGHTS RESERVED.

P	LTR	DESCRIPTION	DATE	DWN	APVD
	H3	REVISED PER ECR-22-126744	20JAN2022	KS	DZ

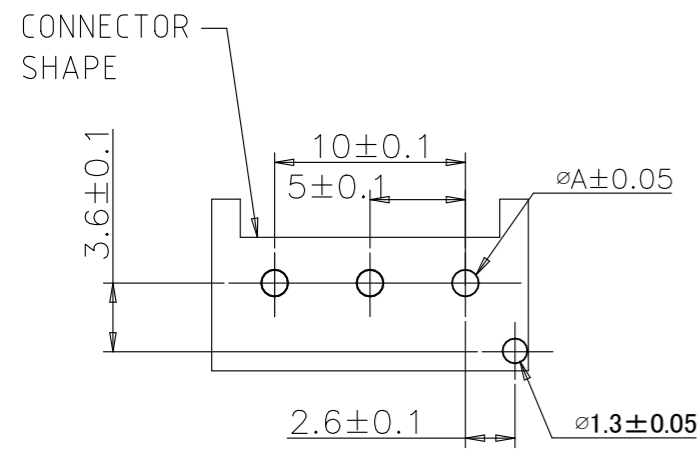
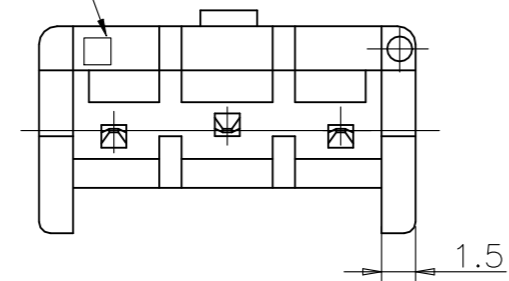


NO.	NAME	MATERIAL
②	HEADER HOISING	6/6 NYLON GRASS FILLED/ NYLON 6
①	TAB	COPPER ALLOY TIN PLATED



SECT A-A

CAVITY MARK



- ① RECOMMENDED P.C.B LAY OUT
- ② APPLICABLE P.C.B. THICKNESS:1.6
- ③ MATING CONN. P/N PLUG HOISING :SEE TABLE
- ④ PARTS COMPLY WITH GLOW WIRE REQUIREMENT FOR PARTS OF NON-METALLIC MATERIAL SUPPORTING A CURRENT-CARRYING CONNECTION DETAILED IN IEC 60335-1, SECTION 30 (GWT).
- ⑤ NYLON 6, GWT, V-2.
- ⑥ NYLON 66, GWT, V-0.
- ⑦ HIGH CURRENT RATING VERSION.

7/6	1-1376389-2	WITH KINK	TYPE B	RED	3Pos	1-1376383-6
7/6	1376389-1	WITH KINK	TYPE A	NATURAL	3Pos	1376383-6
5	1376389-5	WITH KINK	TYPE A	NATURAL	3Pos	1376383-5
6	3-1376389-4	WITHOUT KINK	TYPE D	YELLOW	3Pos	8-1376383-4
6	2-1376389-3	WITHOUT KINK	TYPE C	BLUE	3Pos	7-1376383-3
6	1-1376389-2	WITHOUT KINK	TYPE B	RED	3Pos	6-1376383-2
6	1376389-1	WITHOUT KINK	TYPE A	NATURAL	3Pos	5-1376383-1
6	3-1376389-4	WITH KINK	TYPE D	YELLOW	3Pos	3-1376383-4
6	2-1376389-3	WITH KINK	TYPE C	BLUE	3Pos	2-1376383-3
6	1-1376389-2	WITH KINK	TYPE B	RED	3Pos	1-1376383-2
6	1376389-1	WITH KINK	TYPE A	NATURAL	3Pos	1376383-1

THIS DRAWING IS A CONTROLLED DOCUMENT.

DWN A.OISHI 28AUG'00	TE Connectivity 5.0 POWER KEY CONNECTOR 3P HEADER ASSEMBLY
CHK Y.KASHIWA 28AUG'00	
APVD Y.KASHIWA 28AUG'00	
PRODUCT SPEC 108-5699	
APPLICATION SPEC 114-5292	NAME
MATERIAL SEE TABLE	FINISH -
WEIGHT -	SIZE A3
CUSTOMER DRAWING	CAGE CODE 00779
	DRAWING NO C-1376383
	RESTRICTED TO -
	SCALE 3:1
	SHEET 1 OF 1
	REV H3

PUNCHING	1.25
DRILLING	1.4
	DIM A

① RECOMMENDED PCB HOLES

Looking for pricing, stock, or lifecycle information?

Click below to explore more details on WIN SOURCE:

 [View 1376383-6 on WIN SOURCE](#)

 [TE Connectivity](#) Information

Optimize Your Supply Chain with WIN SOURCE Solutions

-  Global Sourcing Solution
-  Obsolete Management
-  Cost Control Management
-  Shortage Management
-  Alternative Solution
-  Excess Inventory Management