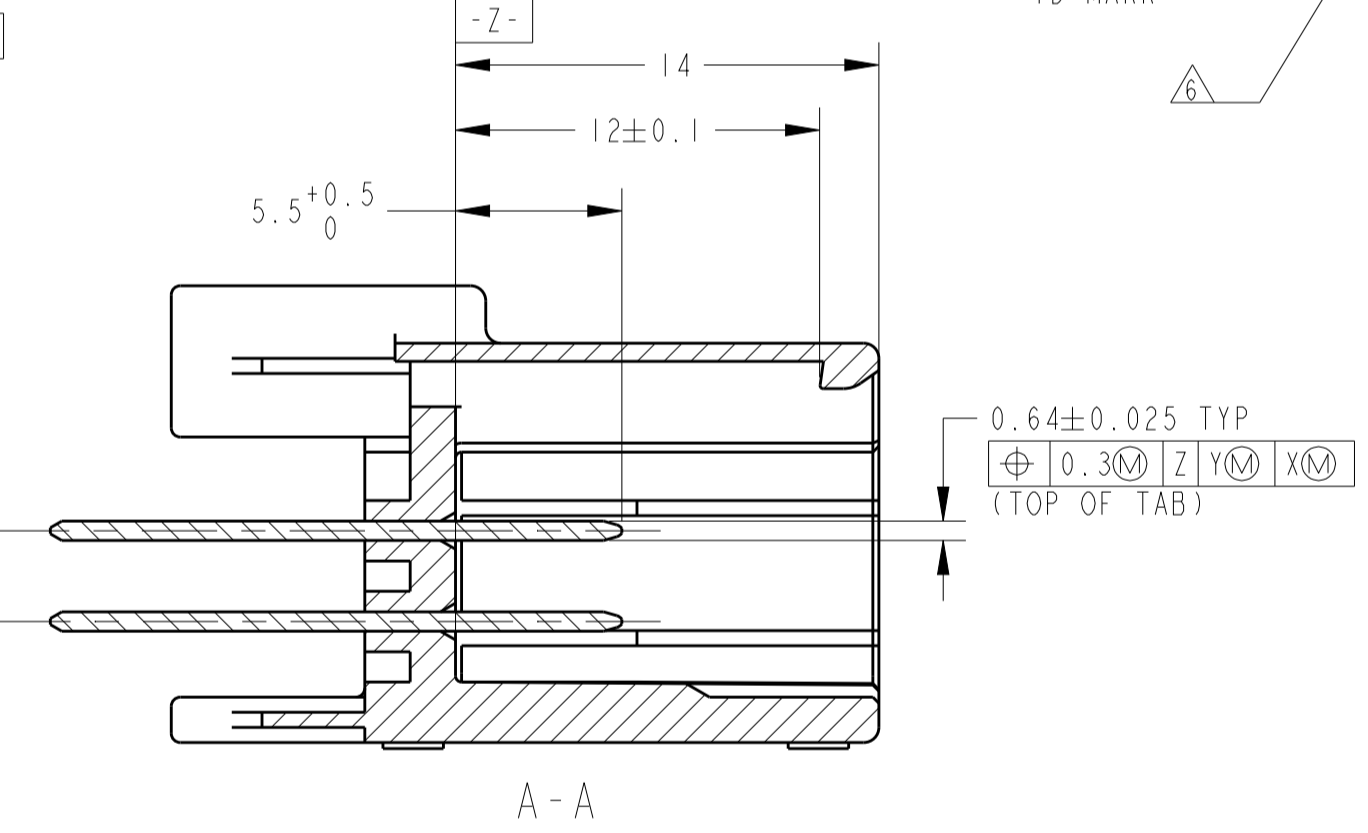
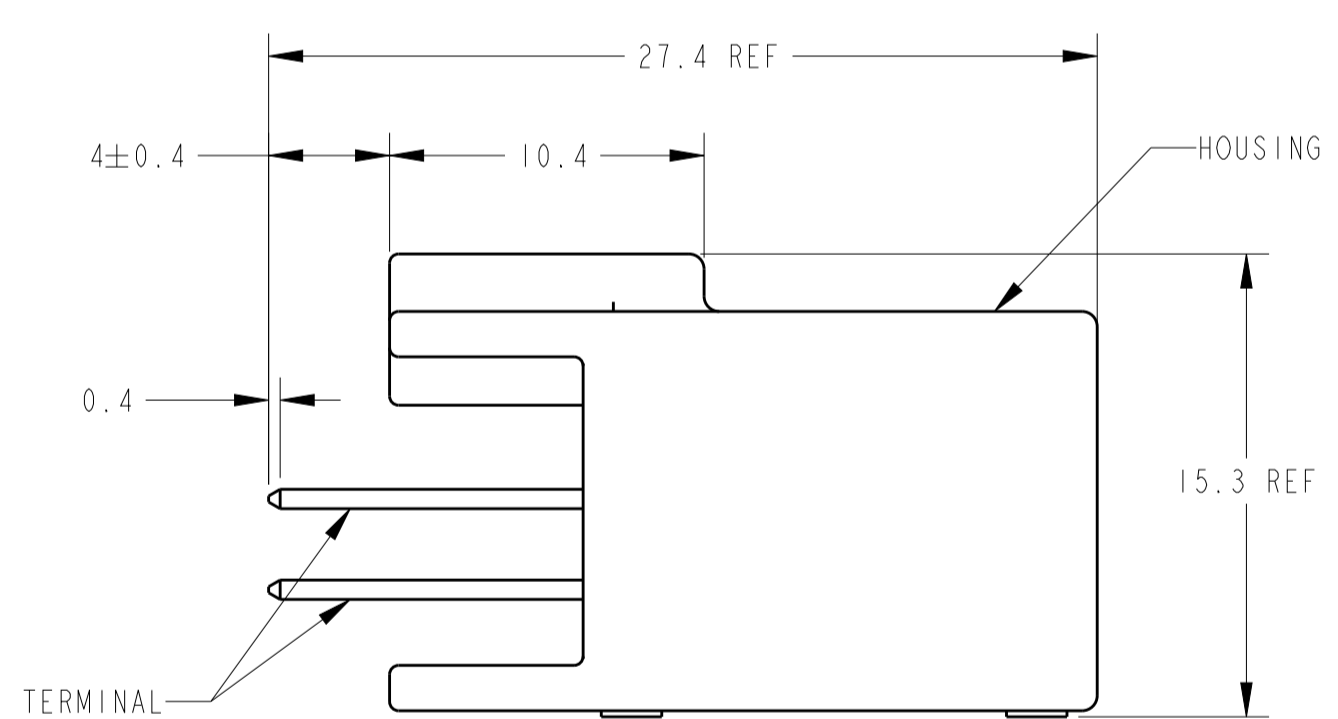
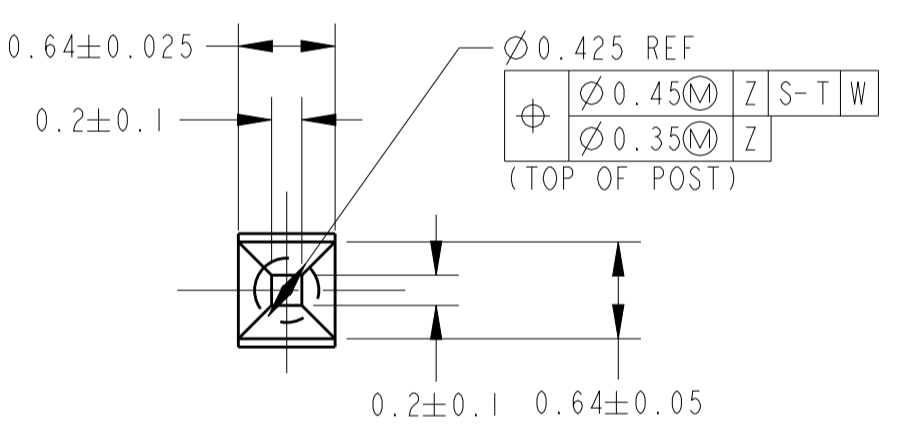
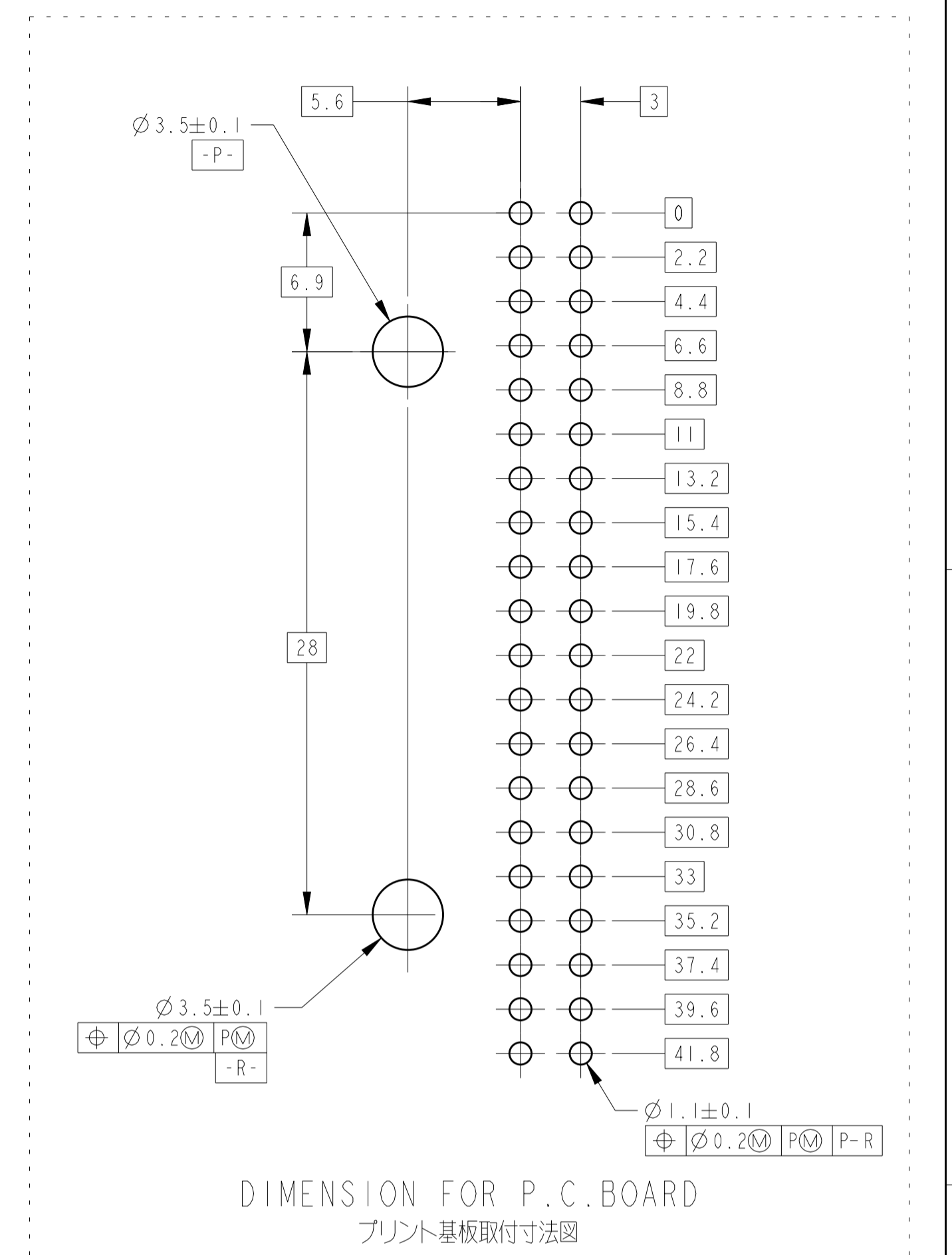
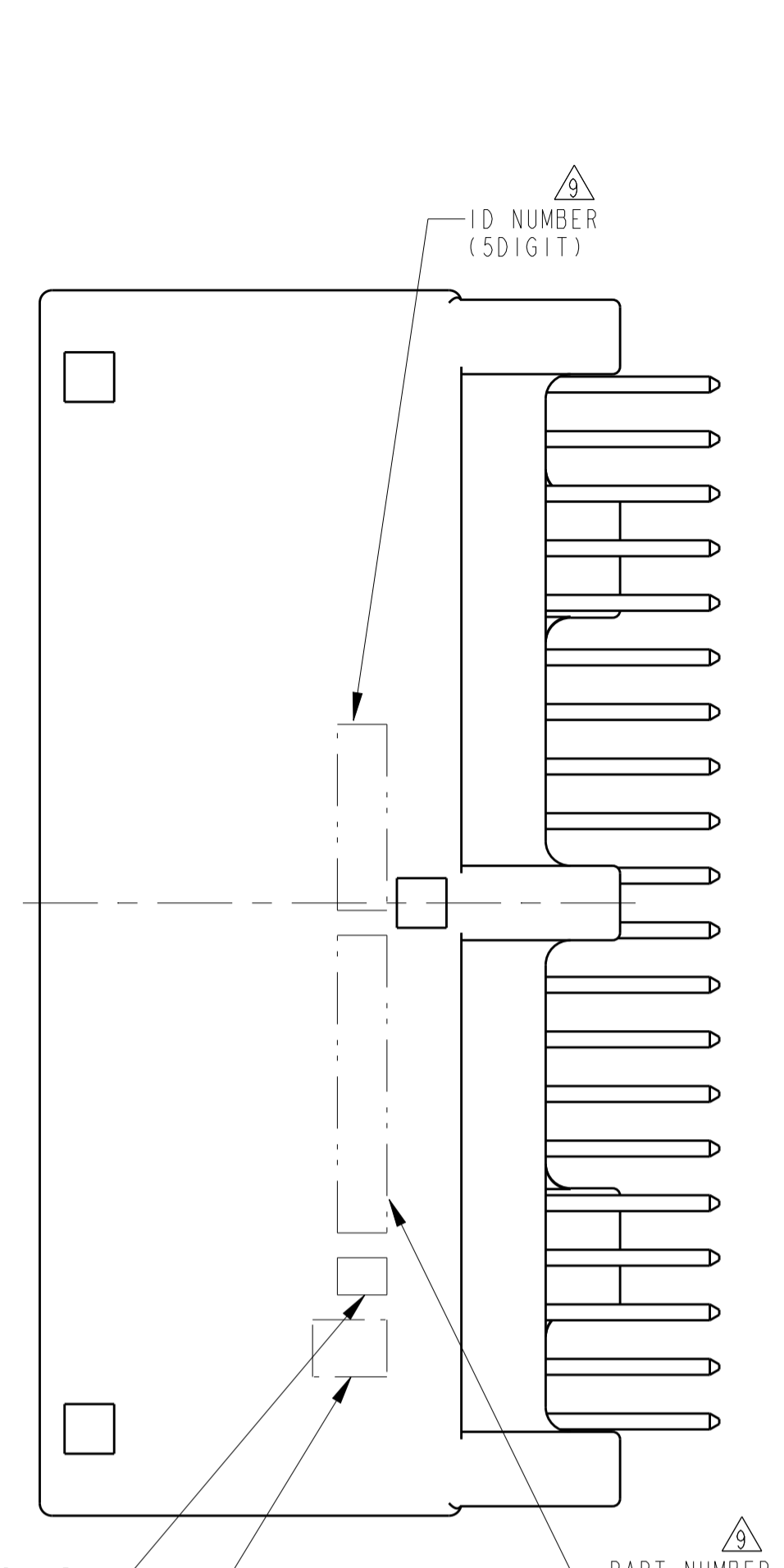
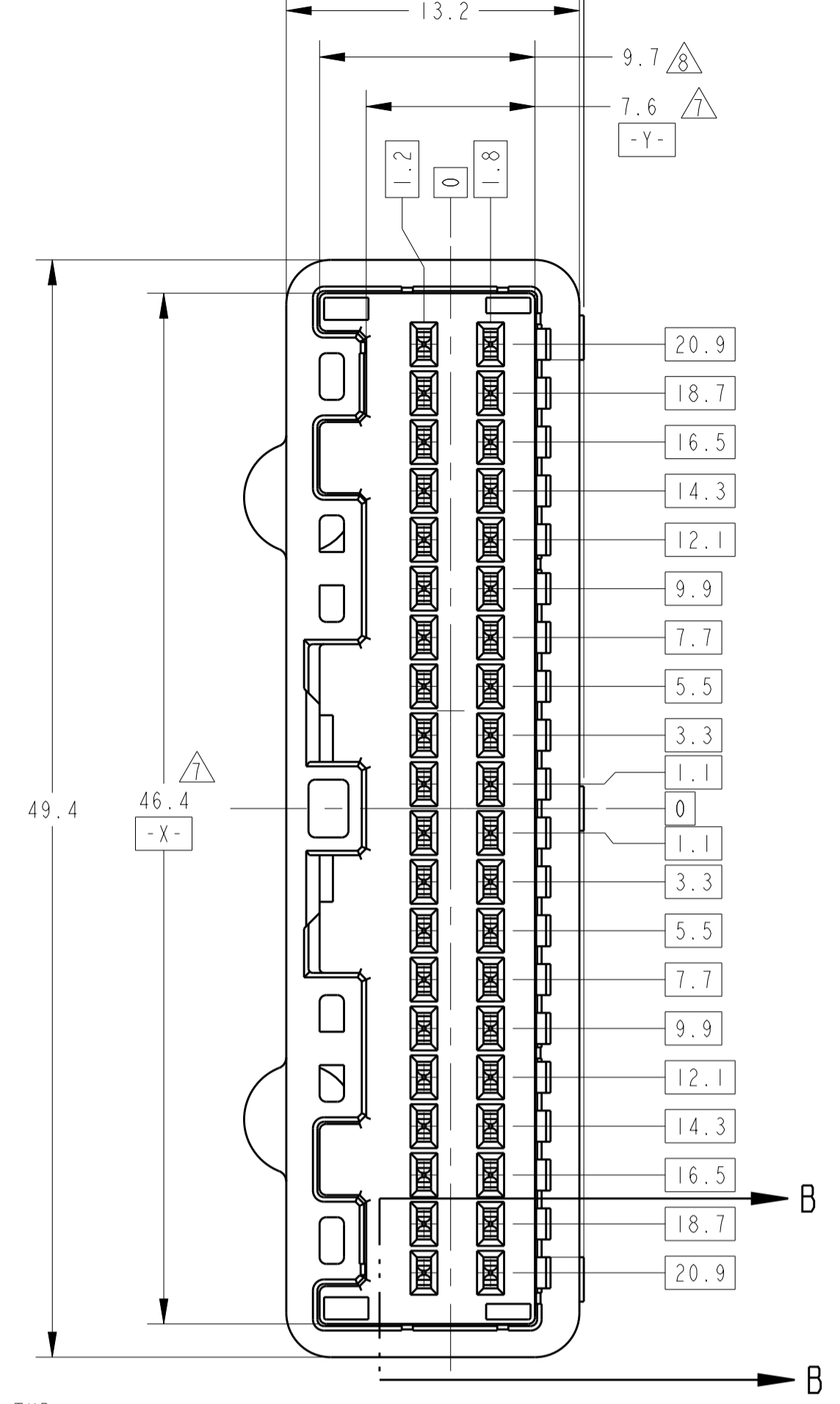
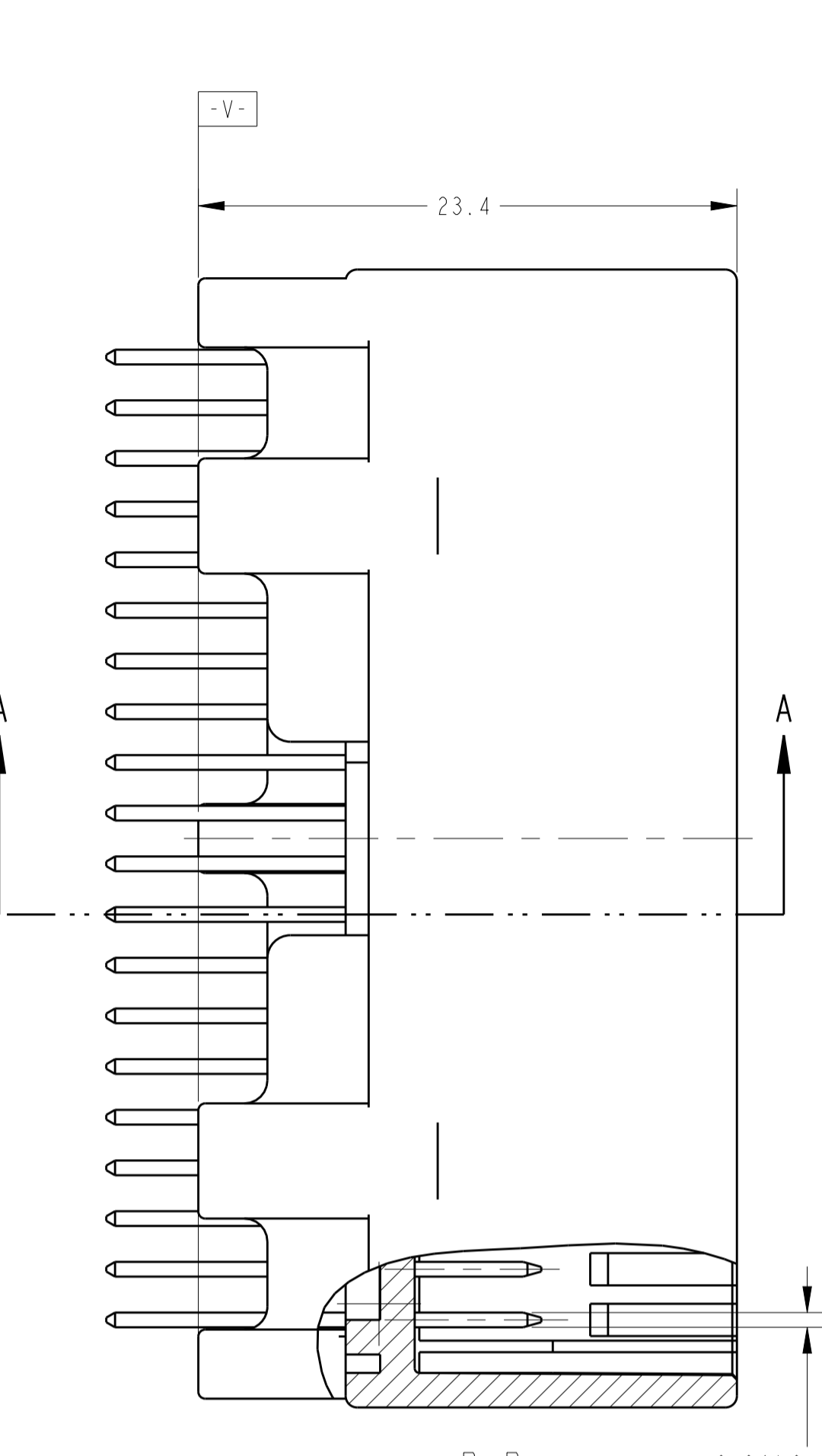
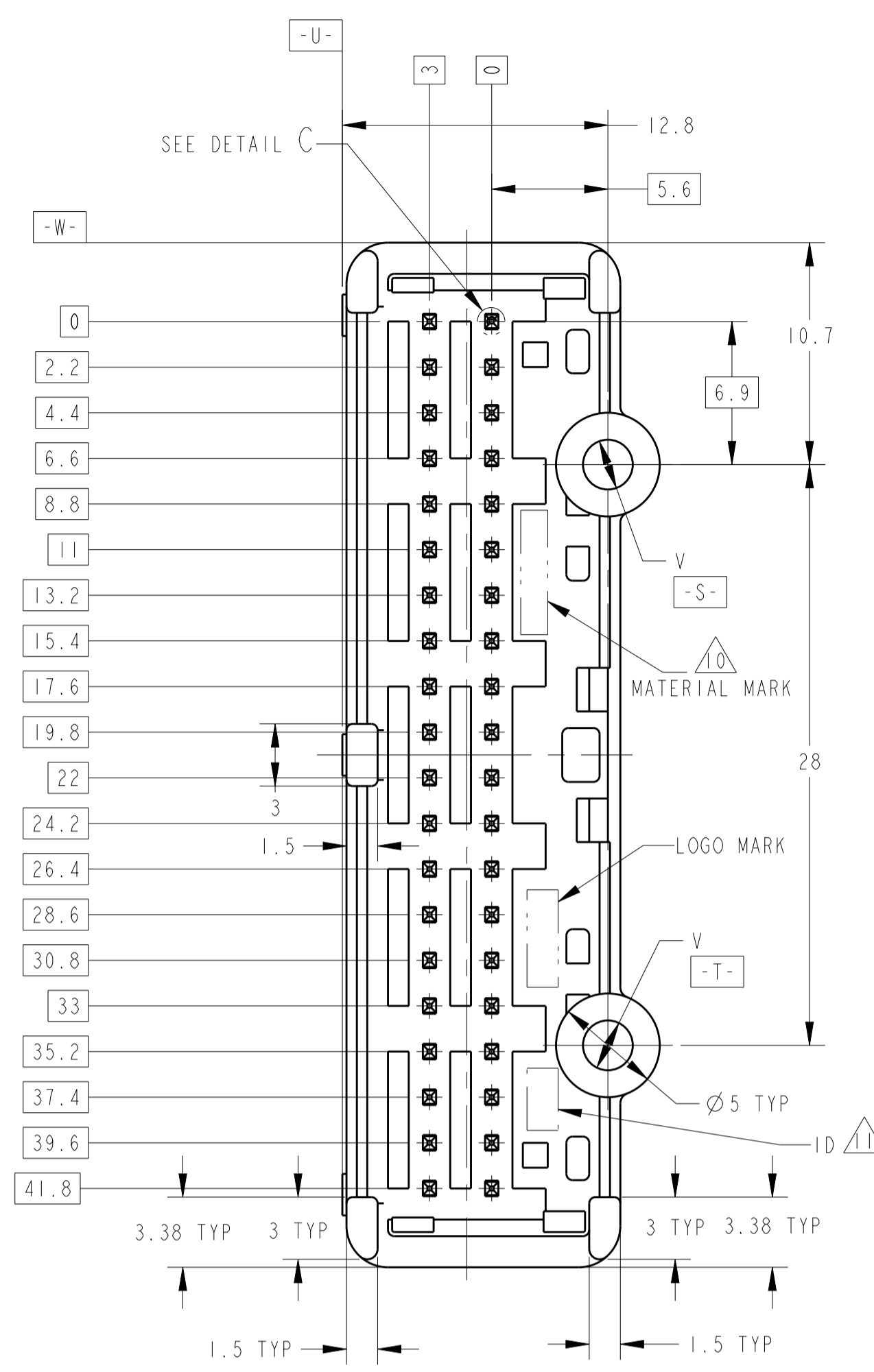




THE DATASHEET OF
1376113-5



REVISONS		DATE	OWN	APVD
C3	REVISED PER ECO-11-005140	09APR11	RK	HMR
C4	REVISED PER ECO-15-012539	25AUG15	TM	KK



1. 適合相手ハウジング番号は、TABLE-1参照。
プラグハウジングアセンブリと支障なく取合すること。
 2. 推奨取付ねじ：JIS B1115, B1122 タッピングねじ
なべ2種、厚み径3、長さ：TABLE-3 参照
 3. ねじ締めトルク：0.392N・m 最大
 4. 取扱説明書No：411-5928
 5. 適用メス線径はTABLE-2 参照
- △. コンタクト仕上識別記号：表参照。
 △. [-Z-] 面から6mmの範囲で測定。
 △. [-Z-] 面から2mmの範囲で測定。
 △. 型番1376113-8, -9, 1--1, 1--3, 1--5にのみ印字される。
 △. 材料マーク
 △. 1-1376113-3のみ
1. MATING CONNECTOR PART NUMBER; SEE TABLE-1.
TO BE MATED SMOOTHLY WITH THE PLUG HOUSING ASSEMBLY.
 2. RECOMMENDED SCREW: PAN-HEADED.
TYPE 2 TAPPING SCREW OF DIA 3mm LENGTH: SEE TABLE-3
REFER TO JIS B1115, B1122
 3. FASTENING TORQUE FOR SCREW: 0.392N
 4. INSTRUCTION SHEET NO: 411-5928
 5. APPLIED TERMINAL: SEE TABLE-2.
- △. IDENTIFICATION MARK FOR THE CONTACT FINISH: SEE TABLE.
 △. MEASURED AT 6mm FROM [-Z-]
 △. MEASURED AT 2mm FROM [-Z-]
 △. MARKED ONLY ON THE PART NUMBER 1376113-8 AND 1376113-9,
 1-1376113-1, 1-1376113-3, 1-1376113-5.
 △. MATERIAL MARK
 △. 1-1376113-3 ONLY

TABLE-1

POS. 極数	TYPE	PLUG HOUSING PART No. プラグハウジング型番
40	CRIMP	1318389
40	IDC	1318691 1318695

TABLE-2

SIGNAL	TIN	TERMINAL No. 端子型番	APPLICABLE WIRE RANGE (FEMALE) 適用電線(メス)
025		1123343-1	AVSS/CAVS/CAVUS 0.3~0.5mm ² AVSSH-f 0.3~0.5mm ²

TABLE-3

THICKNESS PF PCB (mm) フロント基板板厚 (mm)	1.2	1.6
NOMINAL LENGTH OF SCREW (mm) 固定用ネジ着下長さ (mm)	5	6

3	>SPS-GF17<	8.4	∅2.63	PAPER BOX タンボール	PLASTIC TUBE プラスチックチューブ	SELECTIVE-TIN (MATTE)	SELECTIVE-TIN (BRIGHT)	SPS GF17	BLACK	1-1376113-5
1	>PBT-GF30<	10.4	∅2.4	PAPER BOX タンボール	PLASTIC TUBE プラスチックチューブ	PRE-TIN x 40		PBT GF30	NATURAL	1-1376113-3
3	>SPS-GF17<	8.4	∅2.63	PLASTIC BOX 通い箱	PLASTIC TUBE プラスチックチューブ	SELECTIVE-TIN (MATTE)	SELECTIVE-TIN (BRIGHT)	SPS GF17	BLACK	1-1376113-1
6	>SPS-GF17<	8.4	∅2.63	PAPER BOX タンボール	PLASTIC TUBE プラスチックチューブ	SELECTIVE-TIN (MATTE)	SELECTIVE GOLD	SPS GF17	NATURAL	1376113-9
5	>PBT-GF30<	10.4	∅2.4	PAPER BOX タンボール	PLASTIC TUBE プラスチックチューブ	SELECTIVE-TIN (MATTE)	SELECTIVE-TIN (BRIGHT)	PBT GF30	NATURAL	1376113-8
SEE DWG 1376113-5										1376113-7
4	>PBT-GF30<	10.4	∅2.4	PAPER BOX タンボール	PLASTIC TUBE プラスチックチューブ	SELECTIVE-TIN (MATTE)	SELECTIVE TIN x 38 SELECTIVE GOLD x 2	PBT GF30	NATURAL	1376113-6
SEE DWG 1376113-5										1376113-5
1	>PBT-GF30<	10.4	∅2.4	PAPER BOX タンボール	PLASTIC TUBE プラスチックチューブ	PRE-TIN x 40		PBT GF30	NATURAL	1376113-2
1	>PBT-GF30<	10.4	∅2.4	PLASTIC BOX 通い箱	PLASTIC TUBE プラスチックチューブ	PRE-TIN x 40		PBT GF30	NATURAL	1376113-1
MARKING マーキング	MATERIAL MARK 材料マーク	WEIGHT (g) 質量	V	OUTER 外装	INNER 内装	SOLDERING SIDE 半田付け部	CONTACT SIDE 接点部	MATERIAL 材料	COLOR 色	PART NUMBER 製品番
				PACKING STYLE 梱包形態		CONTACT FINISH コンタクト仕上				

THIS DRAWING IS A CONTROLLED DOCUMENT. OWN: R. KOMIYAMA 22JUN00
 CHK: N. SAI 22JUN00
 APVD: N. SAI 22JUN00
 DIMENSIONS: mm
 TOLERANCES UNLESS OTHERWISE SPECIFIED:
 0-PH: ±0.3
 1-PLC: ±
 2-PLC: ±
 3-PLC: ±
 4-PLC: ±
 ANGLES: ° ±'00"
 MATERIAL: CONTACT: BRASS HOUSING: SEE TABLE
 FINISH: SEE TABLE
 WEIGHT: SEE TABLE
 CUSTOMER DRAWING

TE Connectivity
 025 SERIES 40P(PCB V-TYPE)
 CAP HSG ASSY
 SIZE: 114-5250
 CAGE CODE: 00779
 DRAWING NO: 1376113
 SHEET 1 OF 2
 REV C4

THIS DRAWING IS UNPUBLISHED.

RELEASED FOR PUBLICATION

© COPYRIGHT 2011

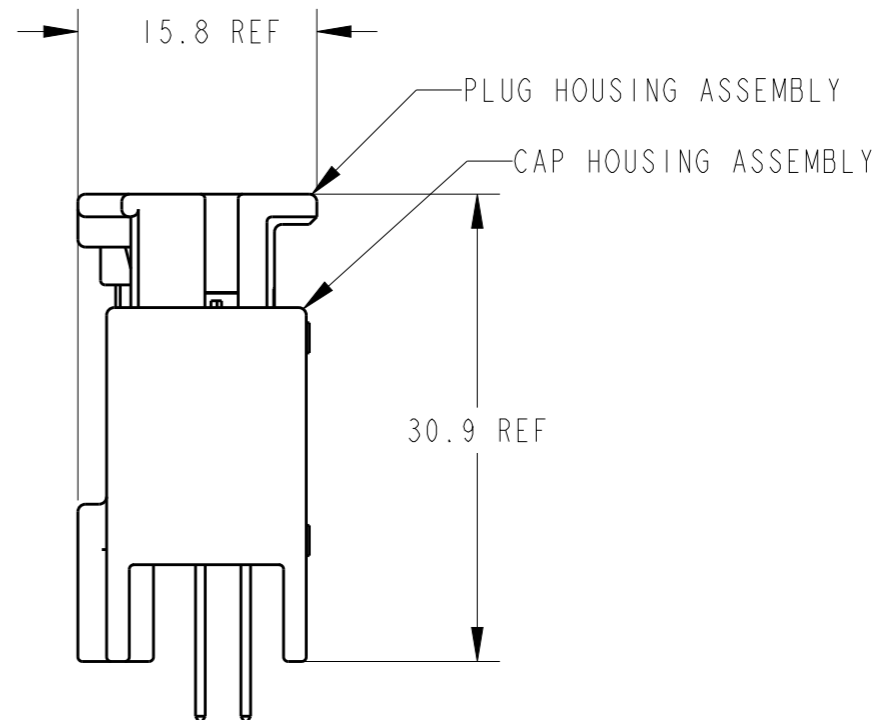
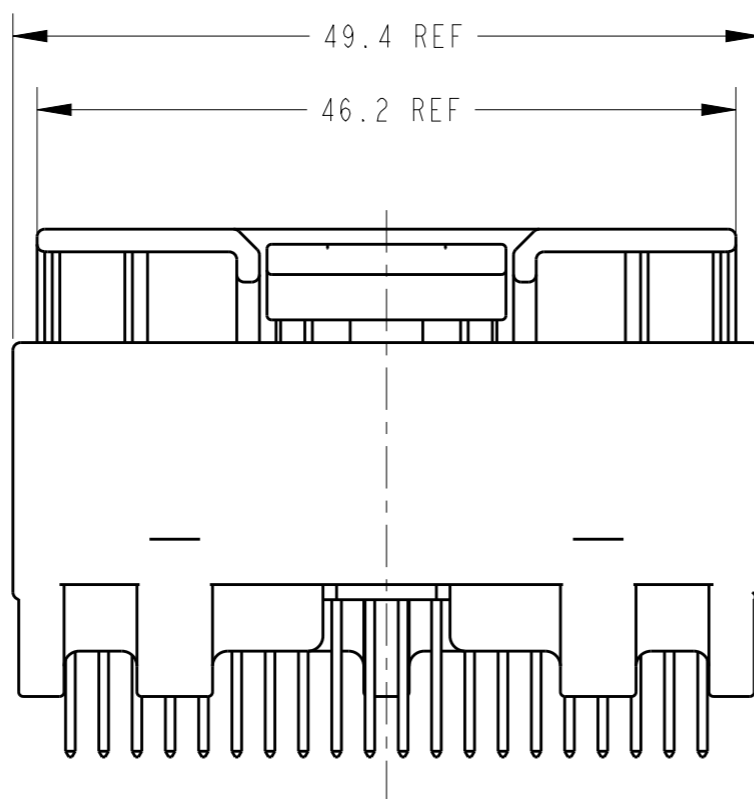
ALL RIGHTS RESERVED.

LOC
J

DIST
-

REVISIONS
変更

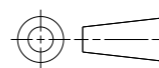
P	LTR	DESCRIPTION	DATE	DWN	APVD
-	-	SEE SHEET 1	-	-	-



CAP ASSEMBLY & PLUG ASSEMBLY ENGAGEMENT DRAWING
 キャップアッセンブリ & プラグアッセンブリ 嵌合図

THIS DRAWING IS A CONTROLLED DOCUMENT.

DIMENSIONS:
単位: 概
mm



TOLERANCES UNLESS OTHERWISE SPECIFIED:

- 一般公差
- 0 PLC ±0.1
- 1 PLC ±0.1
- 2 PLC ±0.01
- 3 PLC ±0.001
- 4 PLC ±0.000J
- ANGLES ±1.00'

MATERIAL
材料

FINISH
仕上

DWN

CHK

APVD

PRODUCT SPEC

製品規格

SEE 1 OF 2

APPLICATION SPEC

取付適用規格

SEE 1 OF 2

WEIGHT

SEE 1 OF 2

Customer Drawing



NAME
名称
025 SERIES 40P(PCB V-TYPE)
CAP HSG ASSY

SIZE CAGE CODE DRAWING NO RESTRICTED TO

A3 00779 C-1376113 -

SCALE 4:1 SHEET 2 OF 2 REV C4

Looking for pricing, stock, or lifecycle information?

Click below to explore more details on WIN SOURCE:

 [View 1376113-5 on WIN SOURCE](#)

 [TE Connectivity](#) Information

Optimize Your Supply Chain with WIN SOURCE Solutions

-  Global Sourcing Solution
-  Obsolete Management
-  Cost Control Management
-  Shortage Management
-  Alternative Solution
-  Excess Inventory Management