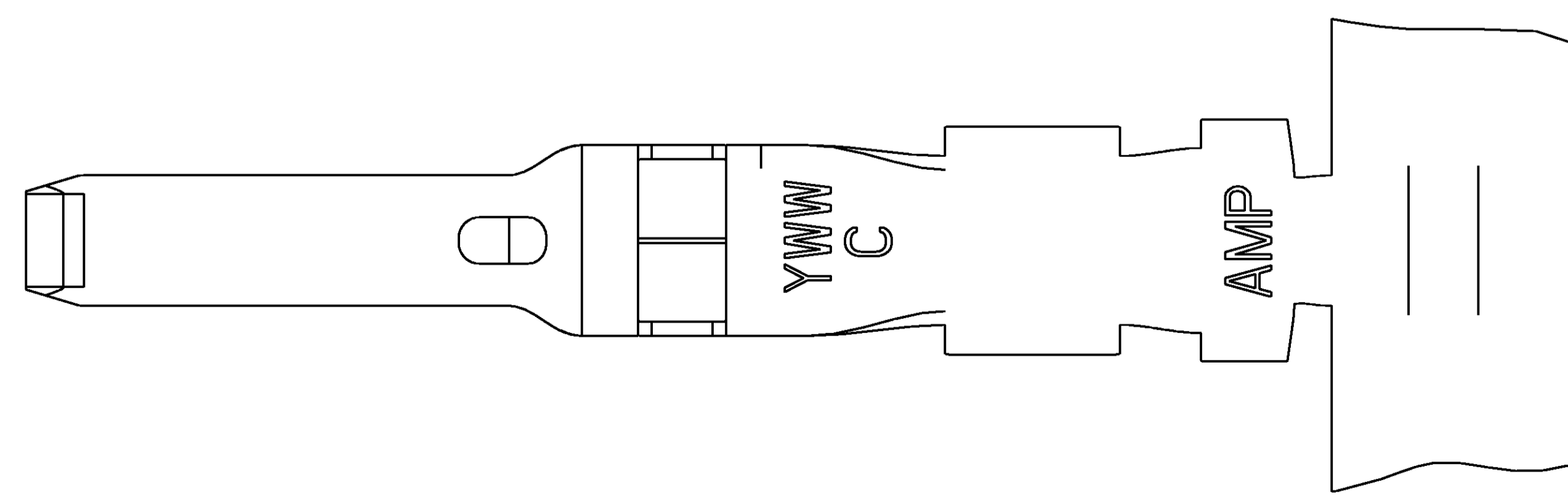
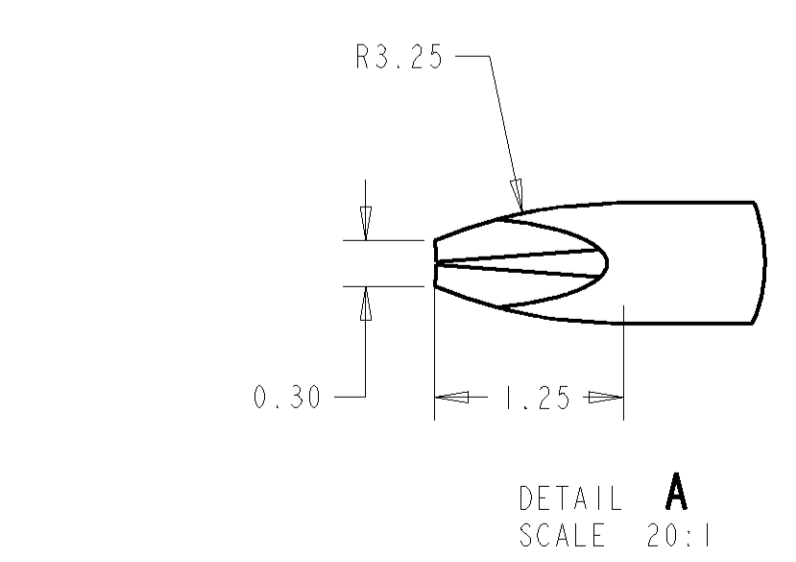
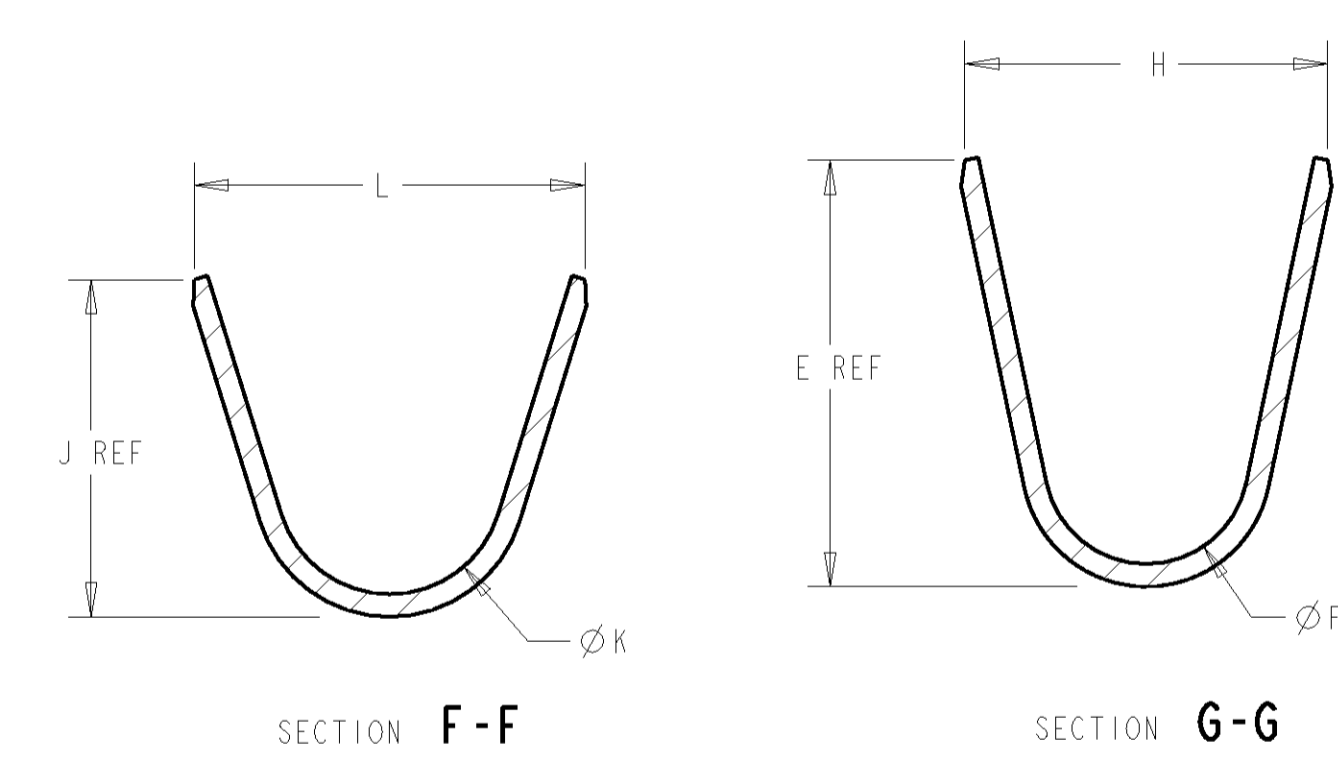
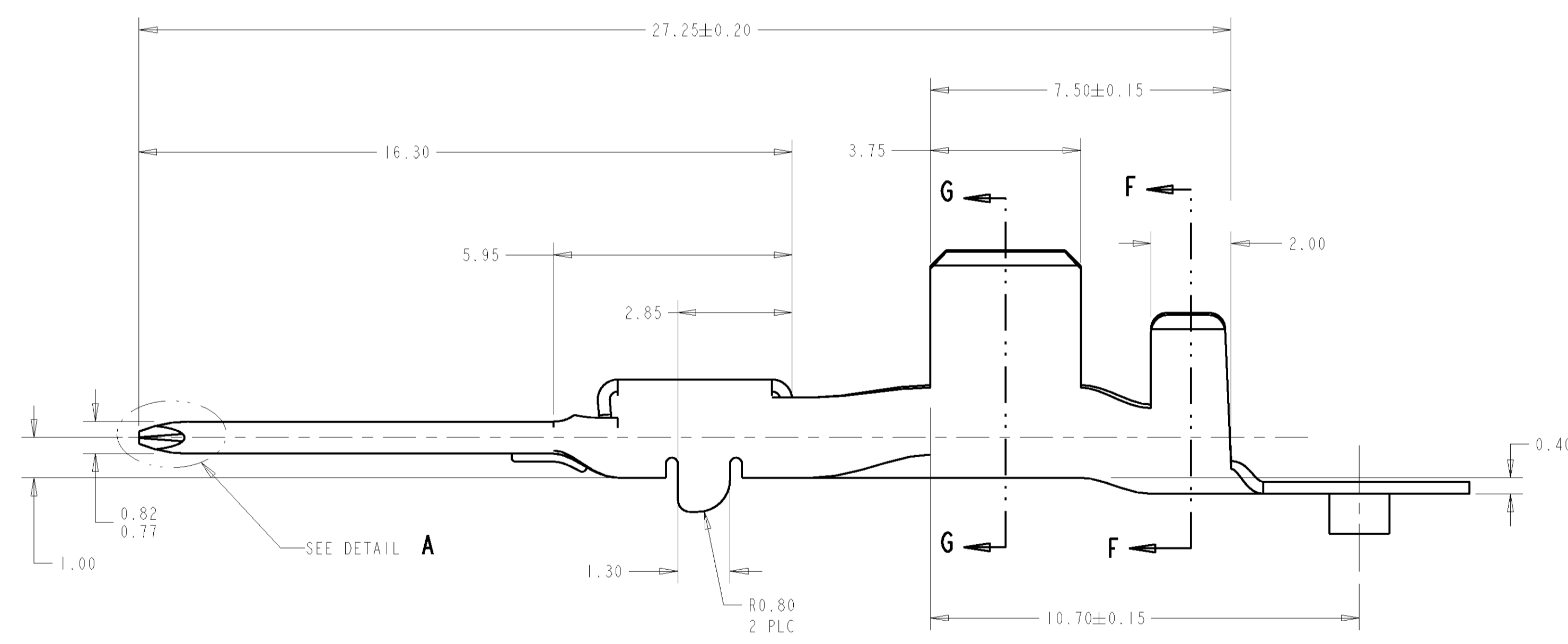
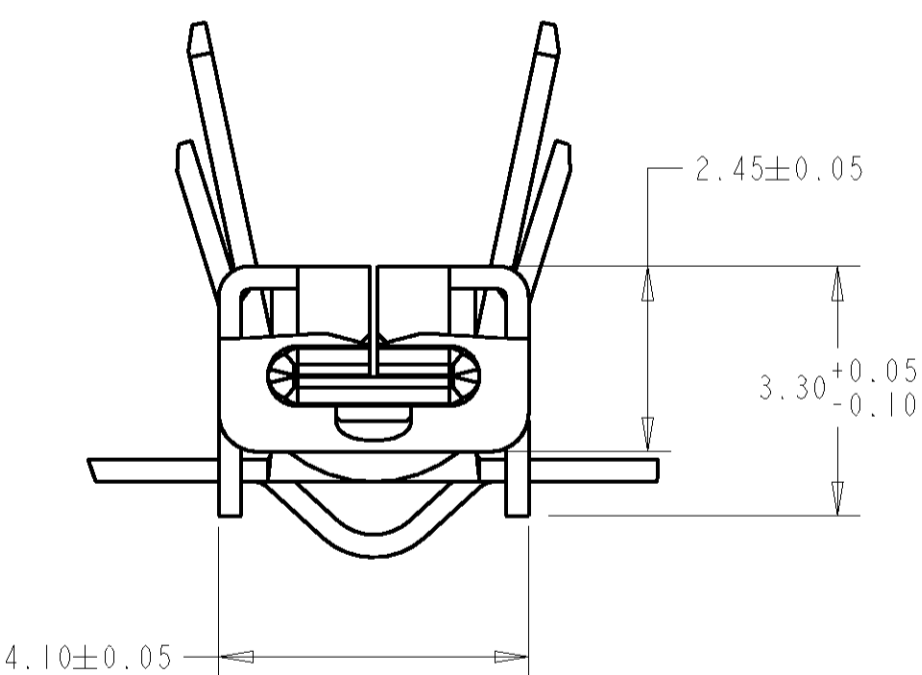
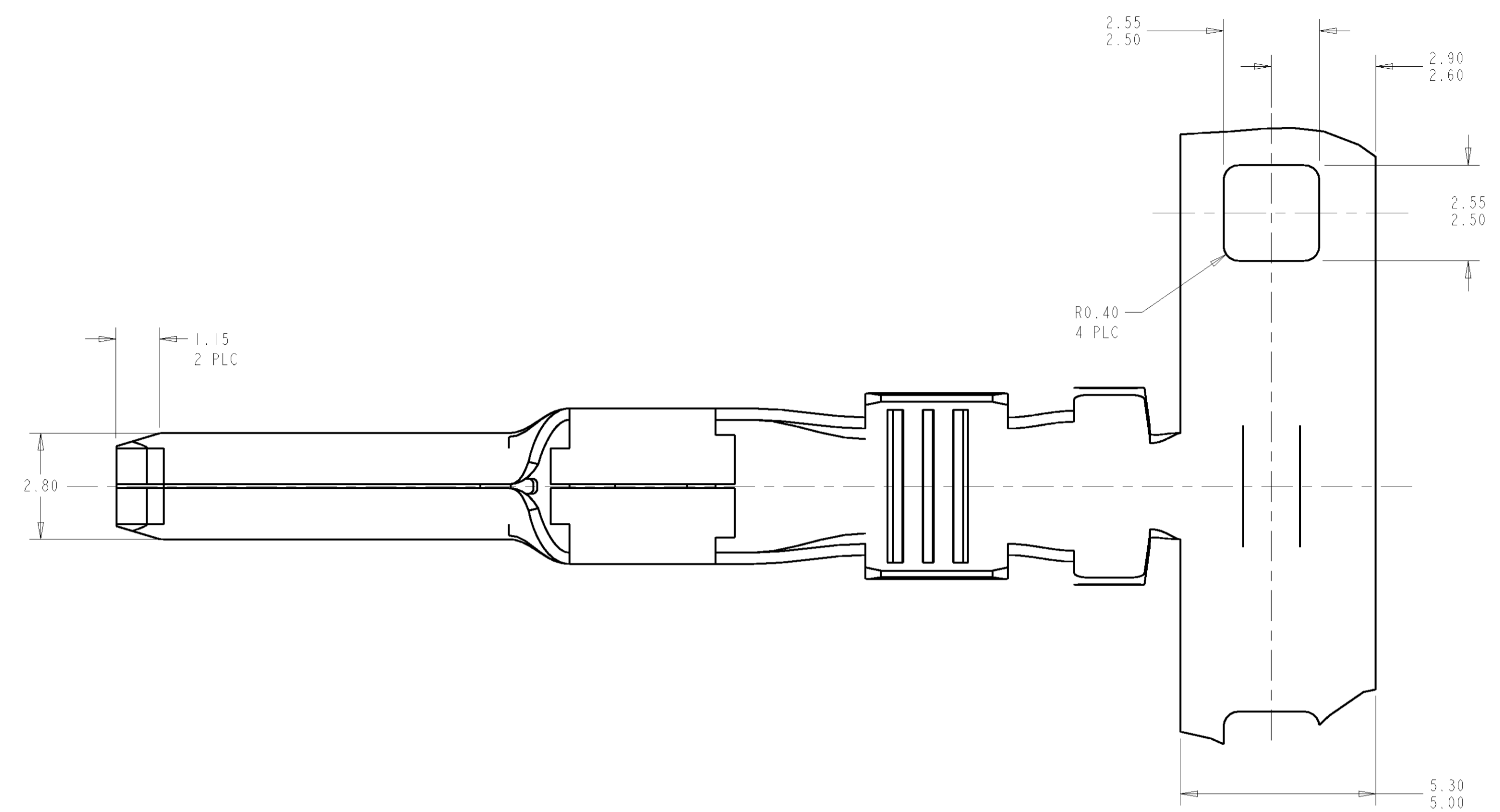




**THE DATASHEET OF**  
**1326029-3**

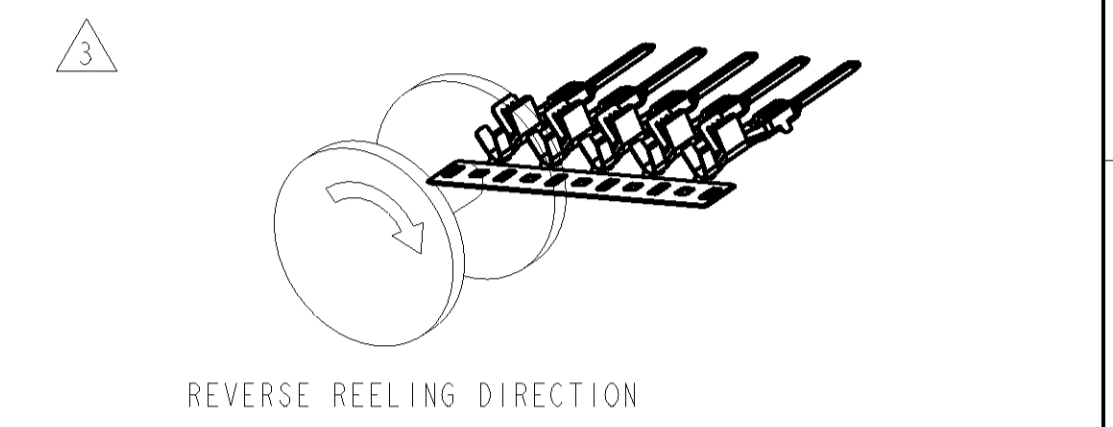
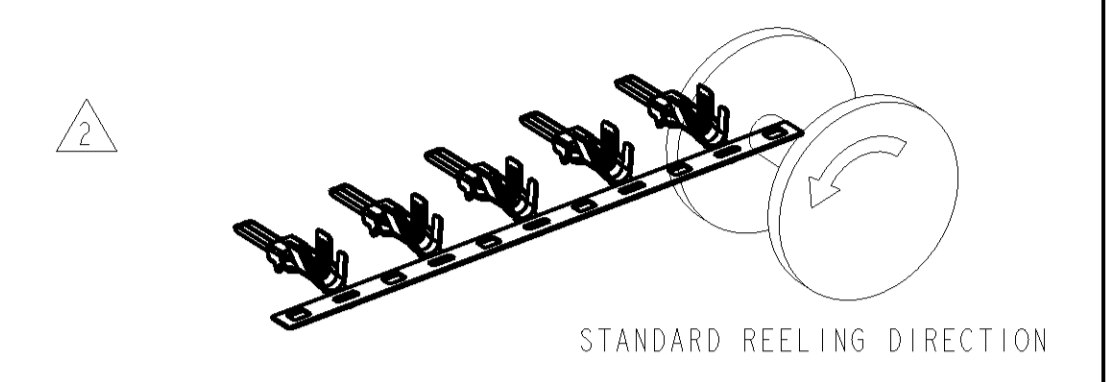


DUAL CRIMP TABLE	
PART NO	WIRE SIZE
1326029-9 AND 1-1326029-1	0.35+0.35
	0.35+0.5
	0.35+0.75
	0.35+1.0
	0.5+0.5
1-1326029-0 AND 1-1326029-2	0.5+0.75
	0.35+1.5
	0.5+1.0
1-1326029-0 AND 1-1326029-2	0.5+1.5
	0.75+0.75
	0.75+1.0
	0.75+1.5
	1.0+1.0
	1.0+1.5



LOC	DISC	REVISIONS			
		REV	DATE	BY	APPV
GE	00	G	17NOV2005	DLD	JLT
		G1	23DEC2005	DLD	JLT

△ MATERIAL: 0.30 THICK COPPER ALLOY, PREPLATED WITH 0.0008 MINIMUM THICK MATTE TIN (ELV COMPLIANT).



5. QUALIFICATION OF THE CRIMP APPLICATION TOOLING SHALL BE CONTROLLED BY THE REQUIREMENTS ESTABLISHED UNDER USCAR 21.  
 6. LOOSE END SPLICING TO BE USED.

REELING	L	ØK	J	H	ØF	E	WIRE SIZE	PART NO.	
△3	1-1326029-0 REELED FOR AMP APPLICATOR							REFERENCE DUAL CRIMP TABLE	1-1326029-2
	1326029-9 REELED FOR AMP APPLICATOR							REFERENCE DUAL CRIMP TABLE	1-1326029-1
△2	4.6	1.80	5.35	3.9	1.70	3.88	REFERENCE DUAL CRIMP TABLE	1-1326029-0	
	3.6	1.40	4.32	3.3	1.30	2.76	REFERENCE DUAL CRIMP TABLE	1326029-9	
△3	1326029-4 REELED FOR AMP APPLICATORS							12 AWG	1326029-8
	1326029-3 REELED FOR AMP APPLICATORS							14-16 AWG	1326029-7
	1326029-2 REELED FOR AMP APPLICATORS							18-20 AWG	1326029-6
	1326029-1 REELED FOR AMP APPLICATORS							22 AWG	1326029-5
△2	5.2	3.20	4.22	4.7	2.70	5.25	12 AWG	1326029-4	
	3.8	1.80	3.16	3.9	1.70	3.88	14-16 AWG	1326029-3	
	3.1	1.40	2.55	3.3	1.30	2.76	18-20 AWG	1326029-2	
	2.6	1.00	2.04	2.5	0.90	2.11	22 AWG	1326029-1	

DIMENSIONS:		TOLERANCES UNLESS OTHERWISE SPECIFIED:		DWN D. STRAUSSER 27APR99		AMP Tyco Electronics	
mm	0 PLC ±0.3	1 PLC ±0.10	3 PLC ±0.10	4 PLC ±0.10	ANGLES ±0.5°	Harrisburg, PA 17105-3608	
MATERIAL		FINISH		CHK D. BROWN 27APR99		NAME	
APVD D. BROWN 27APR99		PRODUCT SPEC SAE/USCAR-2 8/97		APVD D. BROWN 27APR99		2.8mm BLADE, UNSEALED	
APPLICATION SPEC		SIZE		CAGE CODE		DRAWING NO	
114-13013		A		00779		1326029	
WEIGHT		SCALE		SHEET		OF	
CUSTOMER DRAWING		10:1		1		REV G	

## Looking for pricing, stock, or lifecycle information?

Click below to explore more details on WIN SOURCE:

 [View 1326029-3 on WIN SOURCE](#)

 [TE Connectivity](#) Information

## Optimize Your Supply Chain with WIN SOURCE Solutions

-  Global Sourcing Solution
-  Obsolete Management
-  Cost Control Management
-  Shortage Management
-  Alternative Solution
-  Excess Inventory Management