



THE DATASHEET OF
5435802-1

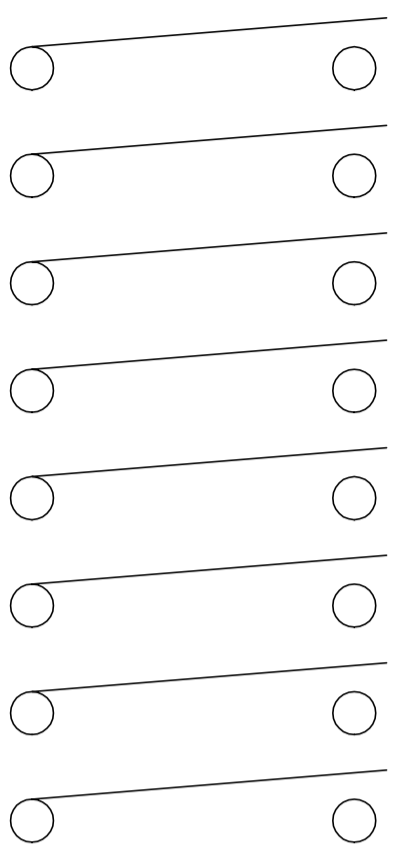
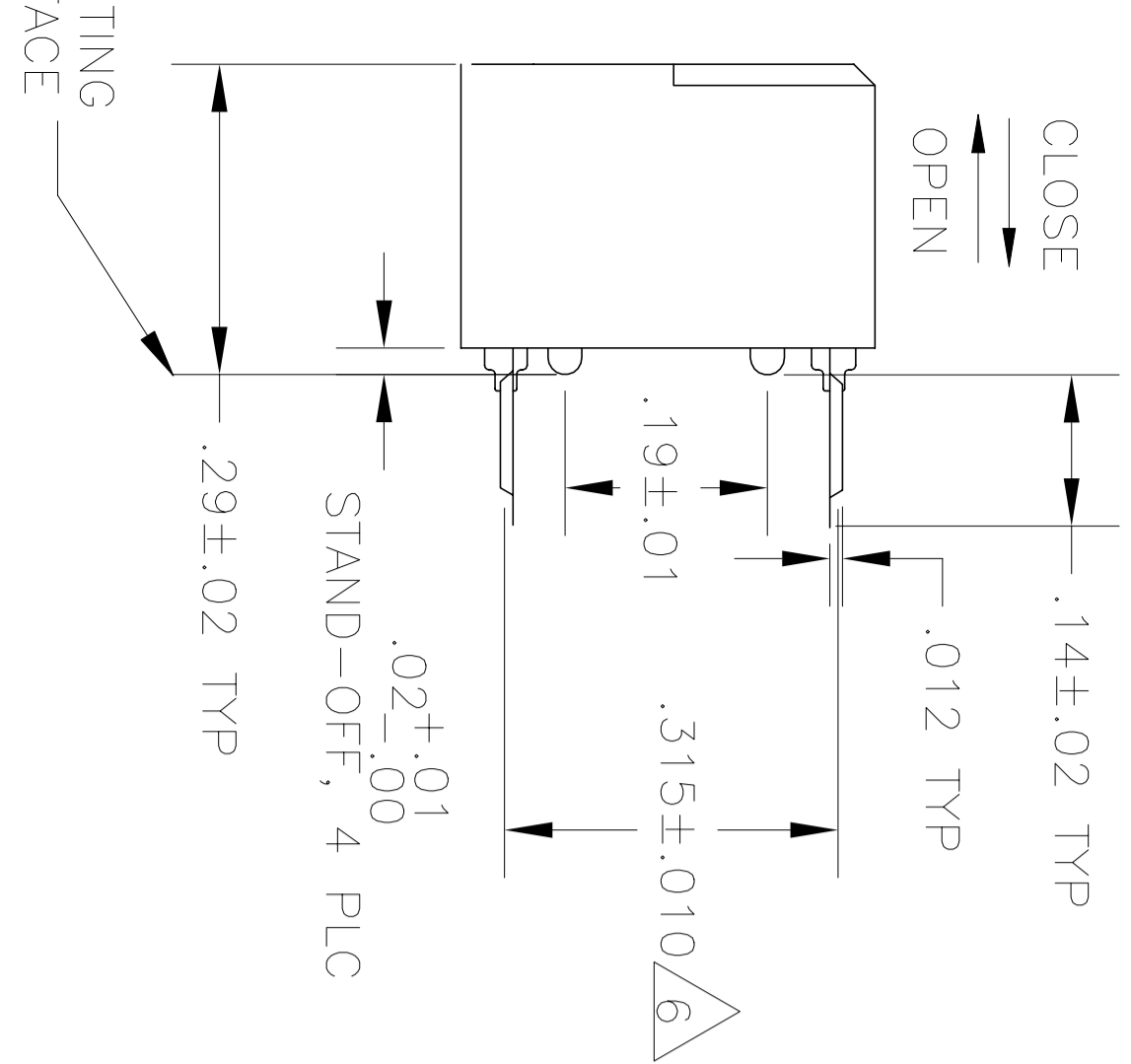


3

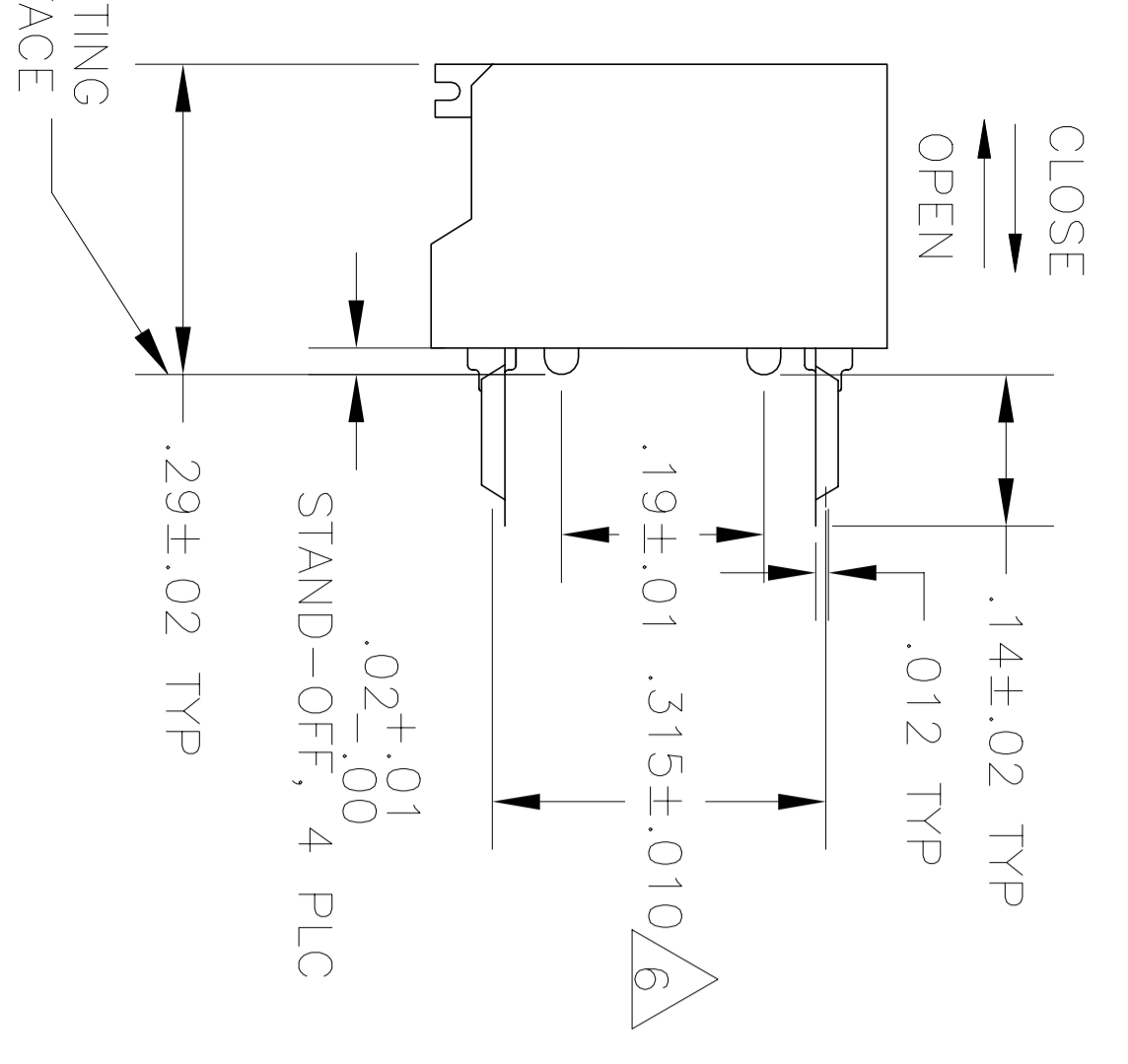
2

1

REVISIONS				
P	LR	DESCRIPTION	DATE	DWN AP'D
C		ECO-20-004897	24AUG2020	SB JB



CONTENT ARRANGEMENT



1. FOR ADDITIONAL SPECIFICATIONS SEE AMP PRODUCT SPEC 108-7519.
2. SWITCH SHOWN IN OPEN POSITION.
3. ALL CHARACTERS AND ROCKERS ARE WHITE, HOUSING IS BLACK.
4. LASER MARKING WILL VARY ON 2 AND 3 POSITION TOPS DUE TO SPACE RESTRICTIONS.
5. STRIPPABLE TRANSPARENT SEAL, SEE FIG 6.
6. .315 DIMENSION APPLIES AT TERMINAL TIPS. TERMINALS ARE .300+.010 AT MOUNTING SURFACE. NO POSITION MARKING.
- 7.
8. NO PART NO. MARKING.
9. STRIPPABLE TAPE SEAL, SEE FIGURE 8.
10. ALL MATERIALS AND FINISHES SHALL COMPLY WITH EU DIRECTIVE 2002/95/EC OF 27JAN2003 (ROHS)
11. MATERIAL: HOUSING AND ROCKERS - POLYESTER CONTACT & SOLDER LEAD - COPPER ALLOY
12. FINISH: CONTACT - GOLD OVER NICKEL SOLDER LEAD - TIN OVER NICKEL
13. OBSOLETE PARTS: OBSOLETE CIS STREAMLINING PER D.RENAUD/D.SINISI
14. MARKS WILL BE ADDED BY LASER MARK PROCESS.

FIG 2	FIG 3A& 7	—	1.08	10	6-5435802-3
FIG 1	FIG 3B	9	.88	8	3-5435802-8
FIG 2	7	8	.88	8	3-5435802-0
FIG 2	7	8	.48	4	2-5435802-9
FIG 2	—	5	1.28	12	2-5435802-2
FIG 2	—	—	1.18	11	2-5435802-1
FIG 2	—	—	1.08	10	2-5435802-0
FIG 2	—	—	.98	9	1-5435802-9
FIG 2	—	—	.78	7	1-5435802-8
FIG 2	—	—	.68	6	1-5435802-7
FIG 2	—	—	.58	5	1-5435802-6
FIG 2	—	—	.48	4	1-5435802-5
FIG 2	FIG 3A	—	1.28	12	1-5435802-2
FIG 1	8	—	.28	2	1-5435802-0
FIG 2	—	—	.88	8	5435802-9
FIG 2	—	—	1.08	10	5435802-8
FIG 2	—	—	.98	9	5435802-7
FIG 2	—	—	.78	7	5435802-6
FIG 2	—	—	.68	6	5435802-5
FIG 2	—	—	.58	5	5435802-4
FIG 2	—	—	.48	4	5435802-3
FIG 2	—	—	.38	3	5435802-2
FIG 2	—	—	.88	8	5435802-1
HOUSING	MARKING	PROTECTIVE SEAL	A	NO OF POSN	PART NO

5435802-1 SHOWN

THIS DRAWING IS A CONTROLLED DOCUMENT.

DIMENSIONS: INCHES		TOLERANCES UNLESS OTHERWISE SPECIFIED:		DWN R. TALLEY	19-9-89	NAME STE TE Connectivity Ltd.	
0 PLC	±	0 PLC	±	CHK R. MILLER	19-9-89	SIZE A2	
1 PLC	±	1 PLC	±	APP'D H. LETTER	19-9-89	CAGE CODE 00779	
2 PLC	±	2 PLC	±	PRODUCT SPEC		DRAWING NO 5435802	
3 PLC	±	3 PLC	±	APPLICATION SPEC		SCALE 4:1	
4 PLC	±	4 PLC	±	WEIGHT		SHEET 1 OF 2	
FINISH	—	FINISH	—	CUSTOMER DRAWING		REV C	
11		12				RESTRICTED TO	

A

B

C

D

3

2

1

REVISIONS				
P	LTR	DESCRIPTION	DATE	DWN AP'D
-	-	SEE SHEET 1	-	-

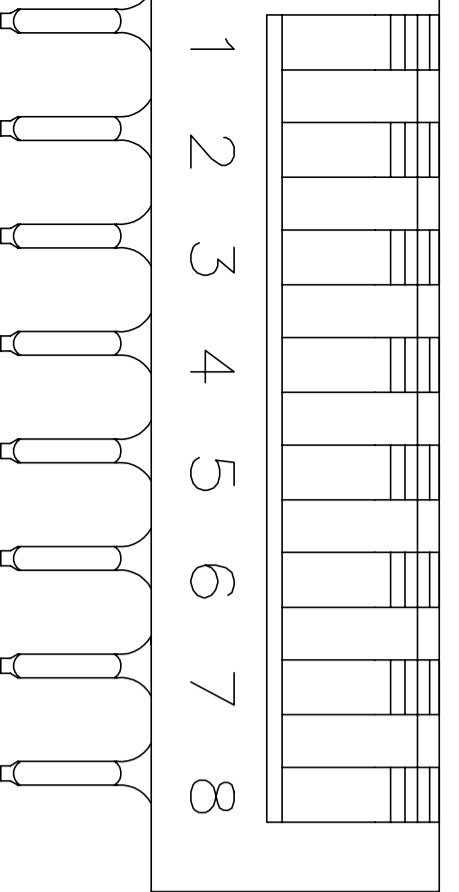


FIG 3B

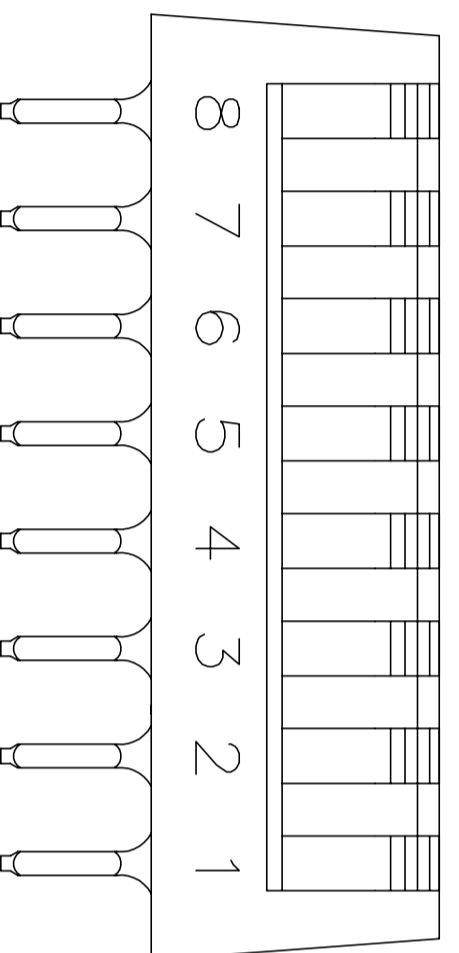


FIG 4

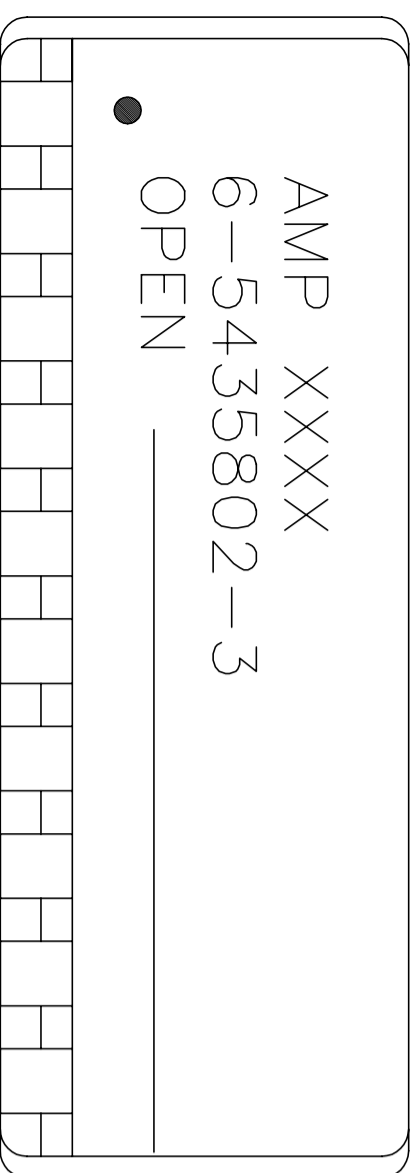
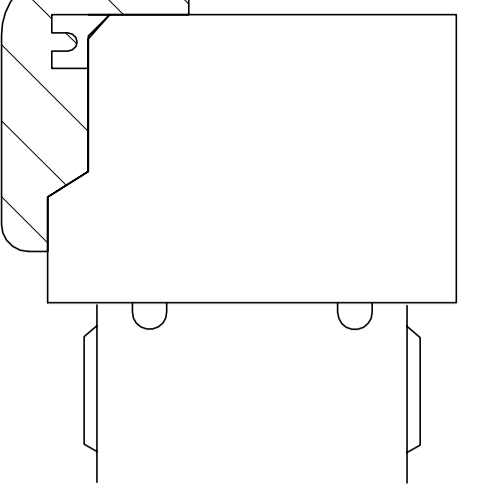


FIG 7

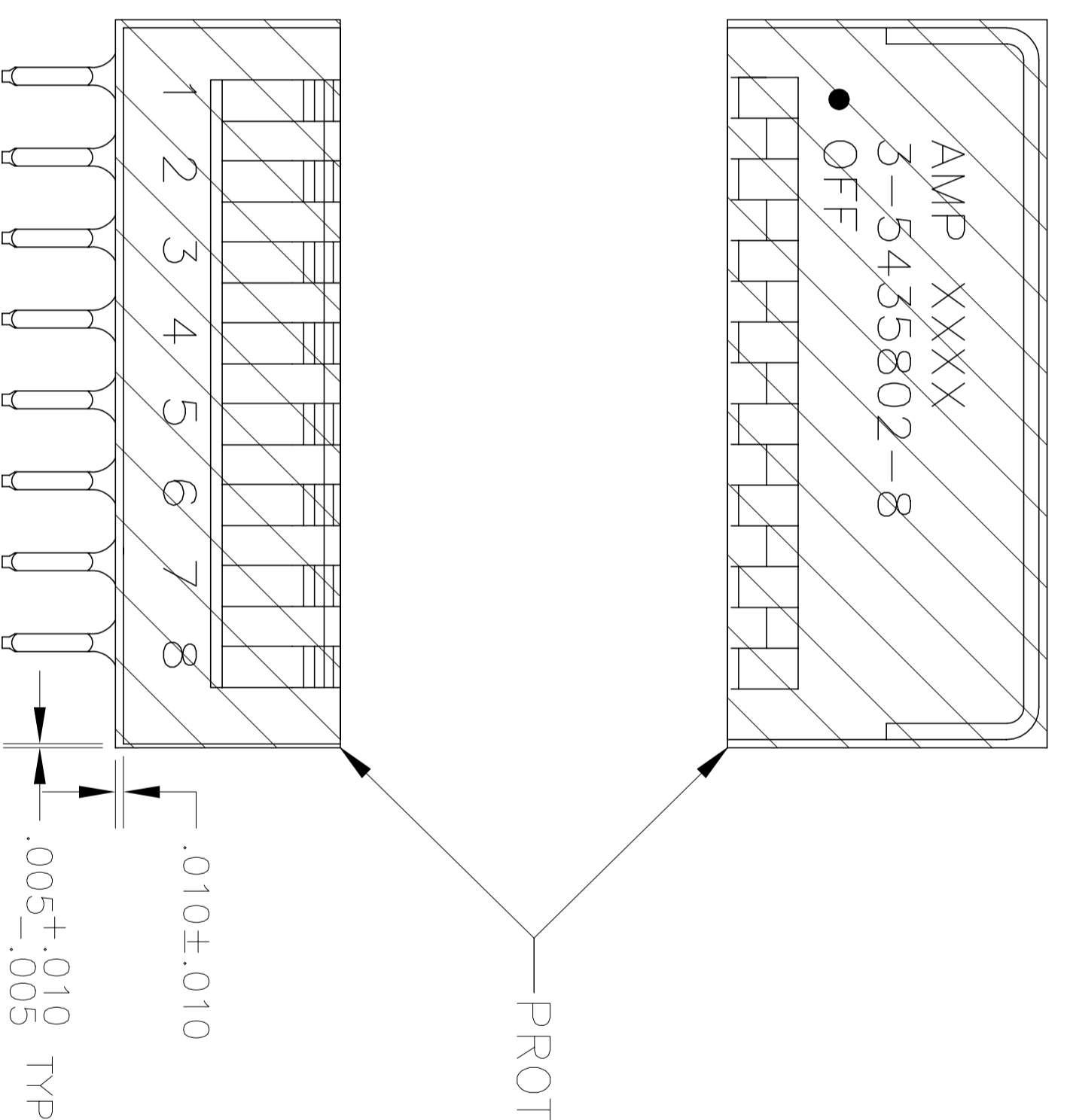
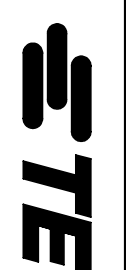


FIG 8

5435802

THIS DRAWING IS A CONTROLLED DOCUMENT.

DIMENSIONS: INCHES		TOLERANCES UNLESS OTHERWISE SPECIFIED:		DWN R. TALLEY	19-9-89	 TE Connectivity Ltd.
MATERIAL SEE SHEET 1		FINISH SEE SHEET 1		CHK R. MILLER	19-9-89	
0 Plc ± -		1 Plc ± -		APP'D H. LETTER	19-9-89	
1 Plc ± -		2 Plc ± .005		PRODUCT SPEC		
2 Plc ± -		3 Plc ± -		APPLICATION SPEC		SIZE A2
3 Plc ± -		ANGLES ± -		WEIGHT		CAGE CODE 00779
				CUSTOMER DRAWING		DRAWING NO 5435802
						SCALE 4:1
						SHEET 2 OF 2
						REV C
						RESTRICTED TO

A

B

C

D

Looking for pricing, stock, or lifecycle information?

Click below to explore more details on WIN SOURCE:

- [View 5435802-1 on WIN SOURCE](#)
- [TE Connectivity Information](#)

Optimize Your Supply Chain with WIN SOURCE Solutions

- ✓ Global Sourcing Solution
- ✓ Obsolete Management
- ✓ Cost Control Management
- ✓ Shortage Management
- ✓ Alternative Solution
- ✓ Excess Inventory Management