



**THE DATASHEET OF
QH-N2005613**



Jiangsu Everstar Electronics Co., Ltd.

Address:No.6, Xiangshan Rd, Tianmuhu Town,Liyang City,Jiangsu,213300

TEL: +86-519-87557772

FAX: +86-519-87557773

Http: www.everstarelect.com

DATA SHEET

ESL NO.. : QH-N2005613

CUS NO. :

REV : A / 0

Producer: *Eden*

Auditor: _____

Approver: *Jack*

CUSTOMER'S APPROVAL : _____

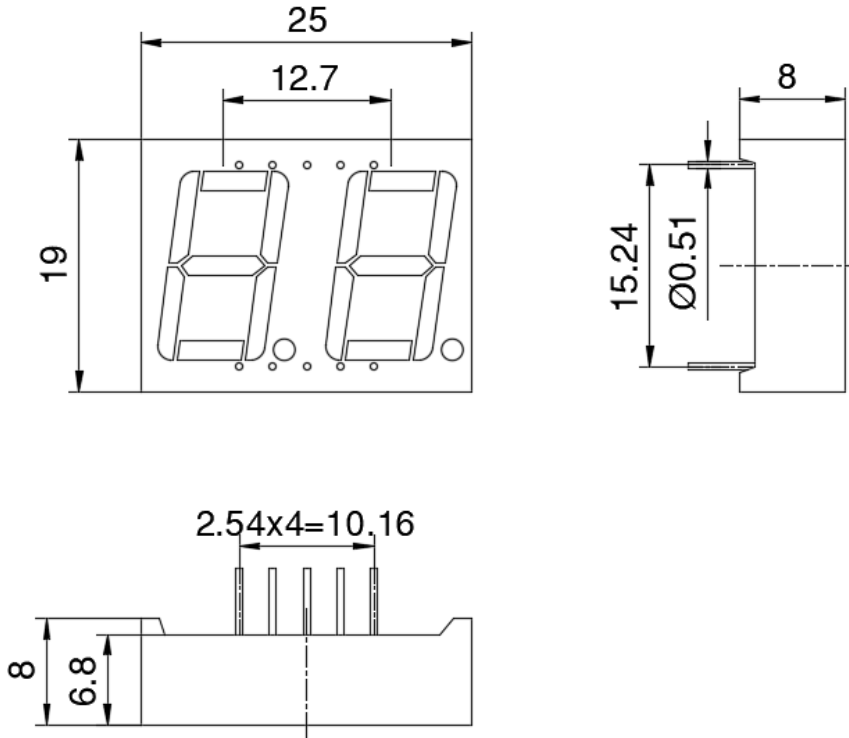
DCC : _____

0.56" Inch LED DISPLAY

QH-N2005613

REV:A / 0

■ PACKAGE DIMENSIONS



Note:

All dimensions are in millimeters (inches) tolerance are 0.25mm(0.010) unless otherwise noted

0.56" Inch LED DISPLAY

QH-N2005613

REV:A / 0

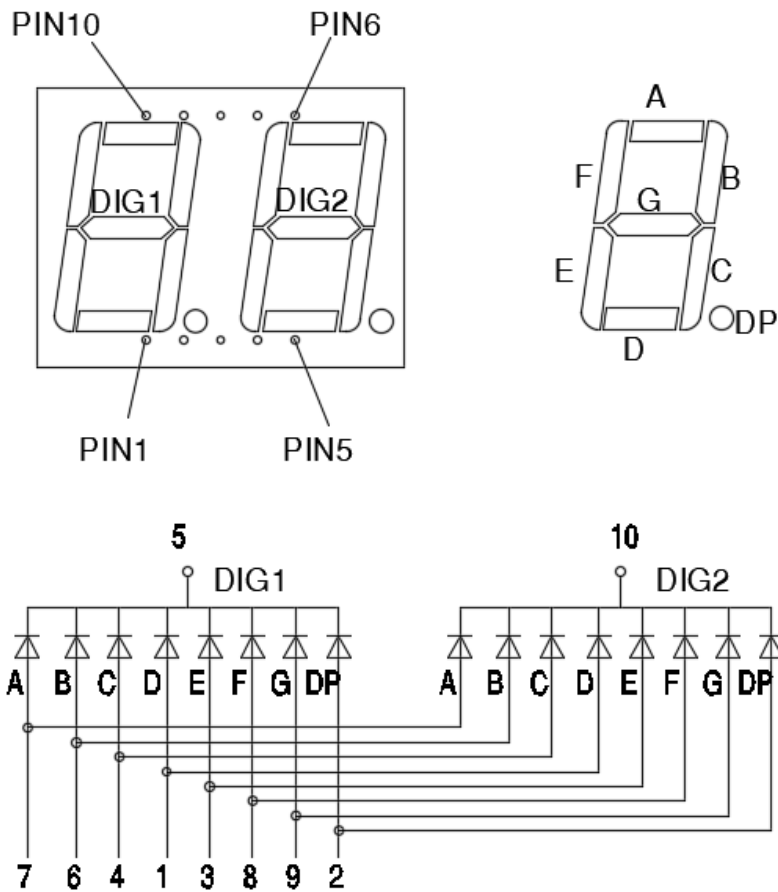
■ FEATURES:

- 0.56" Inch LED DISPLAY
- High intensity and reliability
- High quality, Low power requirement
- IC compatible , Easy assembly

■ DESCRIPTION:

- Black face, White fields
- Common Cathode Display
- Yellow Green Color(AIGaInP)
- RoHS Compliant

■ INTERNAL CIRCUIT DIAGRAM



0.56" Inch LED DISPLAY

QH-N2005613

REV:A / 0

■ ABSOLUTE MAXIMUM RATINGS AT Ta=25°C:

PARAMETER	Max.	UNIT
Power Dissipation Per Segment	55	mW
Peak Forward Current Per Segment (1/10duty cycle 0.1ms pulse width)	100	mA
Average Forward Current Per Segment	20	mA
Derating Linear From 25°C Per Segment	0.33	mA/°C
Reverse Voltage Per Segment	5	V
Operating Temperature Range	-40°C to + 105°C	
Storage Temperature Range	-40°C to + 105°C	

Lead Soldering Temperature 260°C at 1.6mm From Body for 3 seconds

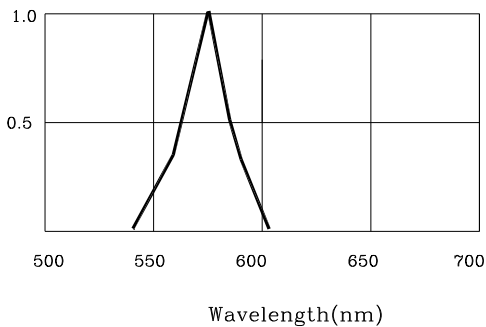
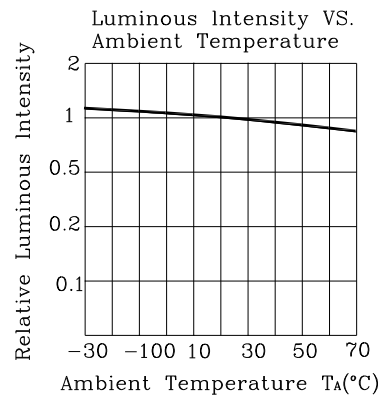
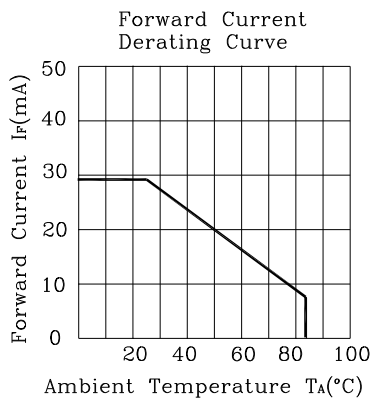
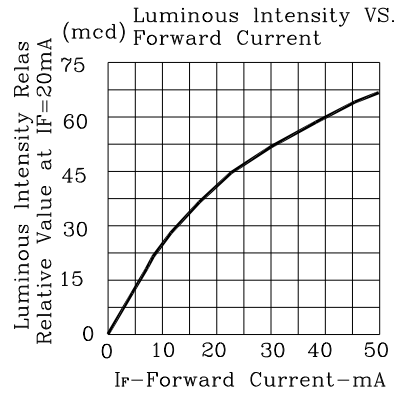
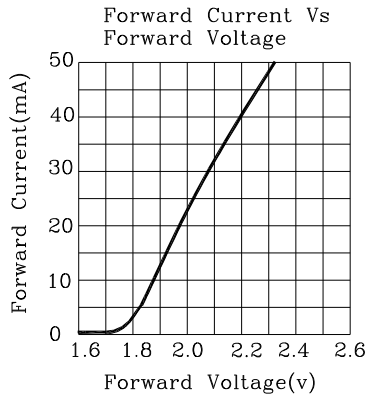
■ ELECTRICAL/OPTICAL CHARACTERISTICS AT Ta=25°C:

PARAMETER	SYMBOL	MIN.	TYP.	MAX.	UNIT	Test condition
Luminous Intensity Per Segment	I_v		44		mcd	$I_F=20mA$
Dominant Wavelength	λ_d	570		575	nm	$I_F=20mA$
Forward Voltage Per Dice	V_F	--	1.9	2.4	V	$I_F=20mA$
Reverse Current Per Dice	I_R	--	--	50	μA	$V_R=5V$

0.56" Inch LED DISPLAY

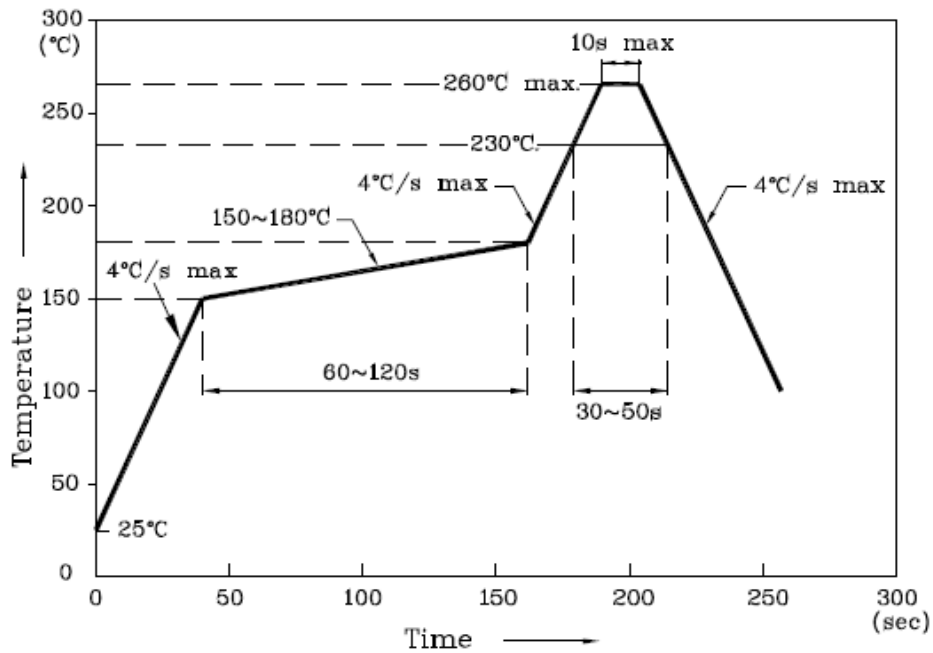
QH-N2005613

REV:A / 0



■ Recommended SMT condition:

Reflow Soldering Profile For Lead-free SMT Process.



Notes:

1. Maximum soldering temperature should not exceed 260°C.
2. Recommended reflow temperature: 145°C-260°C.
3. Do not put stress to the epoxy resin during high temperatures conditions.

Looking for pricing, stock, or lifecycle information?

Click below to explore more details on WIN SOURCE:

- [View QH-N2005613 on WIN SOURCE](#)
- [Shanghai Everstar Electronics Co., Ltd. Information](#)

Optimize Your Supply Chain with WIN SOURCE Solutions

- ✓ Global Sourcing Solution
- ✓ Obsolete Management
- ✓ Cost Control Management
- ✓ Shortage Management
- ✓ Alternative Solution
- ✓ Excess Inventory Management