



**THE DATASHEET OF
ESD-YS320561**



Jiangsu Everstar Electronics Co., Ltd.

Address:No.6, Xiangshan Rd, Tianmuhu Town,Liyang City,Jiangsu,213300

TEL: +86-519-87557772

FAX: +86-519-87557773

Http: www.everstarelect.com

DATA SHEET

ESL NO. : ESD-YS320561

Product Type. :30614009

CUS NO. :

REV : A / 0

Producer: *Eden*

Auditor: _____

Approver: *Jack*

CUSTOMER'S APPROVAL : _____

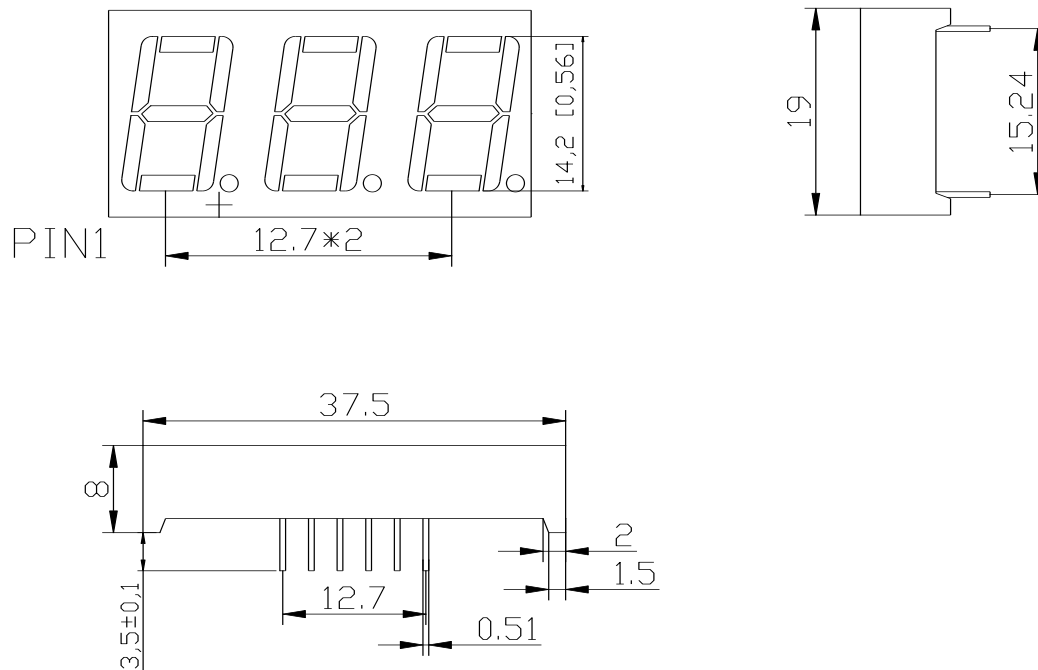
DCC : _____

0.56" Inch DIGIT LED DISPLAY

ESD-YS320561

REV:A / 0

■ PACKAGE DIMENSIONS



Note:

1. All Dimensions are in millimeters.
2. Tolerance is $\pm 0.25\text{mm}(0.010)$. Unless otherwise specified.

0.56" Inch DIGIT LED DISPLAY

ESD-YS320561

REV:A / 0

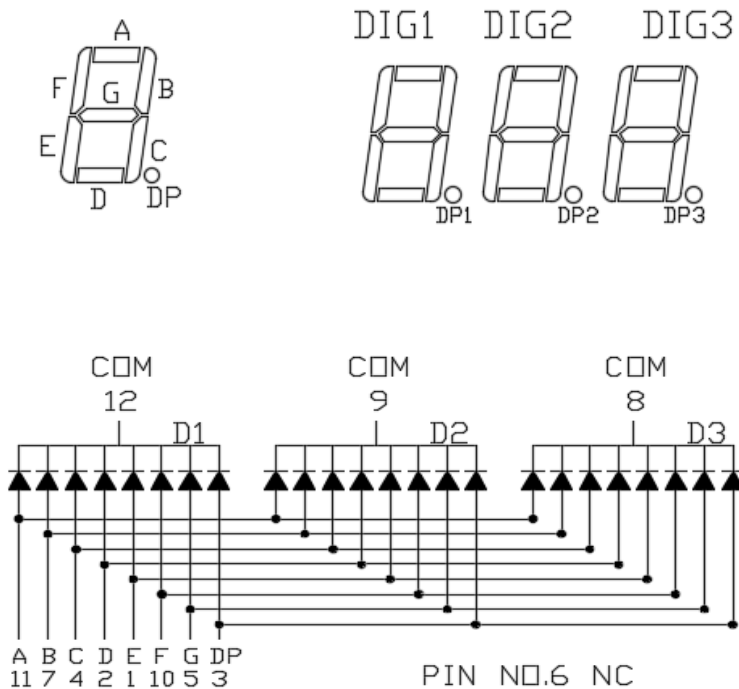
■ FEATURES:

- 0.56 " Inch Digit Led Display
- High intensity and reliability
- IC compatible , Easy assembly
- Low Current.

■ DESCRIPTION:

- Black face, white segment
- Common Cathode
- Red Color
- RoHS Compliant

■ INTERNAL CIRCUIT DIAGRAM





0.56" Inch DIGIT LED DISPLAY

ESD-YS320561

REV:A / 0

■ ABSOLUTE MAXIMUM RATINGS AT Ta=25°C:

PARAMETER	Max.	UNIT
Power Dissipation Per Segment	36	mW
Peak Forward Current Per Segment (1/10duty cycle 0.1ms pulse width)	100	mA
Average Forward Current Per Segment	20	mA
Reverse Voltage Per Segment	5	V
Operating Temperature Range	-40°C to + 85°C	
Storage Temperature Range	-40°C to + 85°C	
Lead Soldering Temperature 260°C at 1.6mm From Body for 3 seconds		

■ ELECTRICAL/OPTICAL CHARACTERISTICS AT Ta=25°C:

PARAMETER	SYMBOL	MIN.	TYP.	MAX.	UNIT	Test condition
Luminous Intensity Per Segment	I_v	8		15	mcd	$I_F=10mA$
Dominant Wavelength	λ_d		630		nm	$I_F=20mA$
Forward Voltage Per Dice	V_F		2.0	2.4	V	$I_F=20mA$
Reverse Current Per Dice	I_R	--	--	50	μA	$V_R=5V$

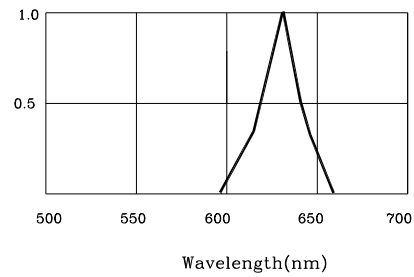
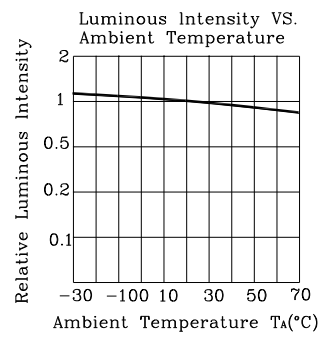
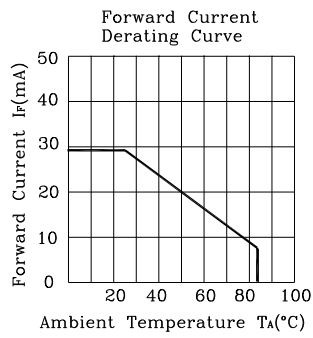
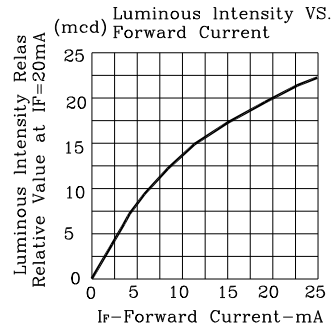
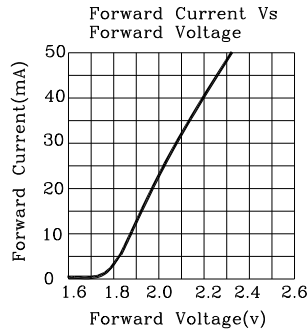


0.56" Inch DIGIT LED DISPLAY

ESD-YS320561

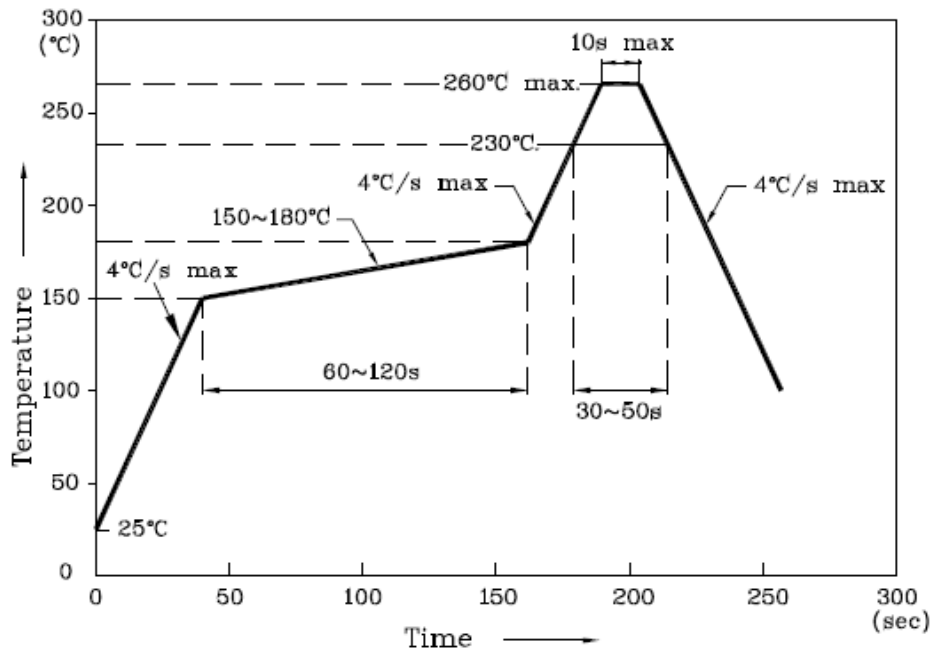
REV:A / 0

■ TECHNICAL DATA



■ Recommended SMT condition:

Reflow Soldering Profile For Lead-free SMT Process.





Notes:

1. Maximum soldering temperature should not exceed 260°C.
2. Recommended reflow temperature: 145°C-260°C.
3. Do not put stress to the epoxy resin during high temperatures conditions.

Looking for pricing, stock, or lifecycle information?

Click below to explore more details on WIN SOURCE:

-  [View ESD-YS320561 on WIN SOURCE](#)
-  [Shanghai Everstar Electronics Co., Ltd. Information](#)

Optimize Your Supply Chain with WIN SOURCE Solutions

-  Global Sourcing Solution
-  Obsolete Management
-  Cost Control Management
-  Shortage Management
-  Alternative Solution
-  Excess Inventory Management