



**THE DATASHEET OF
ESD-GS4020AW-B**





Jiangsu Everstar Electronics Co., Ltd.

Address:No.6, Xiangshan Rd, Tianmuhu Town,Liyang City,Jiangsu,213300

TEL: +86-519-87557772

FAX: +86-519-87557773

Http: www.everstarelect.com

DATA SHEET

ESL NO.. : ESD-GS4020AW-B

CUS NO. :

REV : A / 0

Producer: Eden

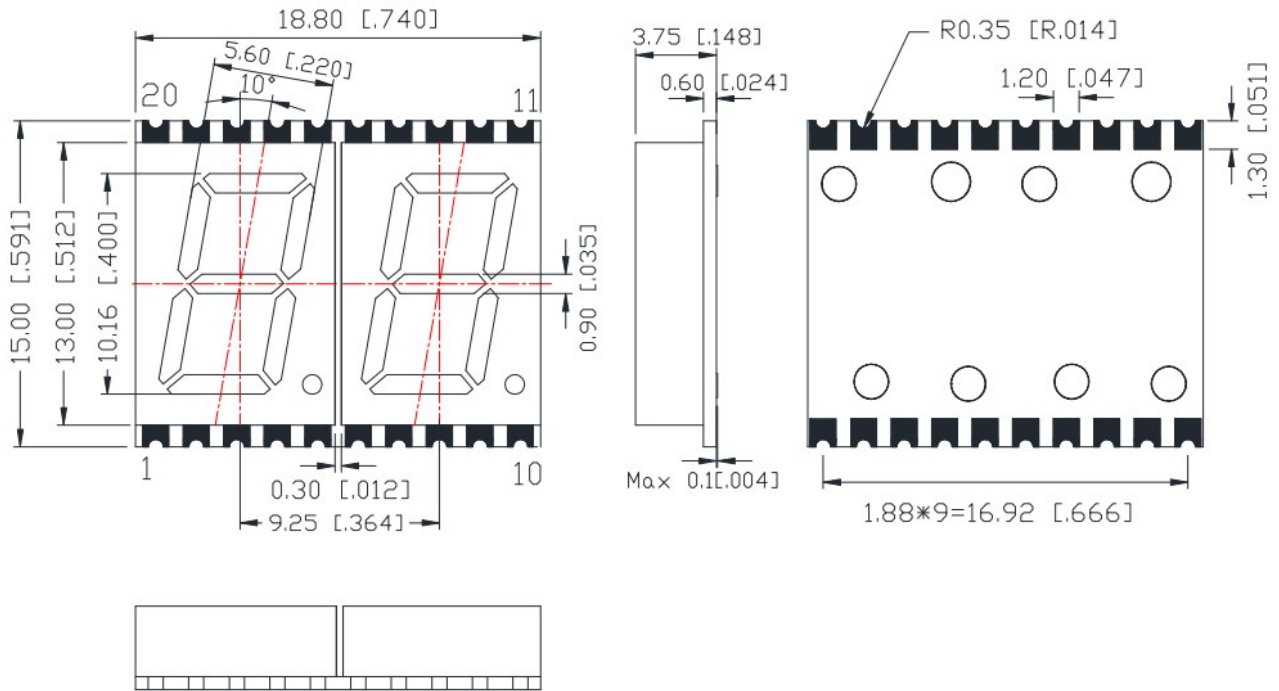
Auditor: _____

Approver: Jack

CUSTOMER'S APPROVAL : _____

DCC : _____

■ PACKAGE DIMENSIONS



Note:

All dimensions are in millimeters (inches) tolerance are 0.25mm(0.010) unless otherwise noted

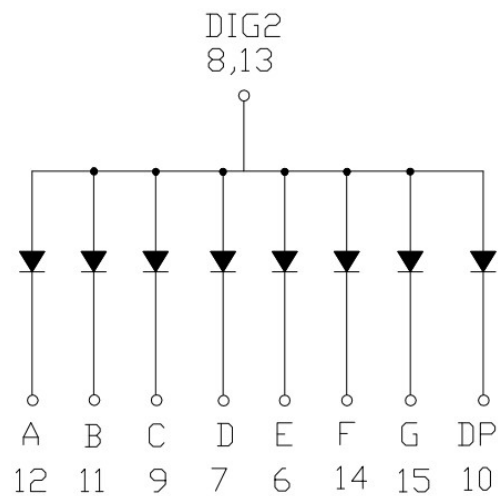
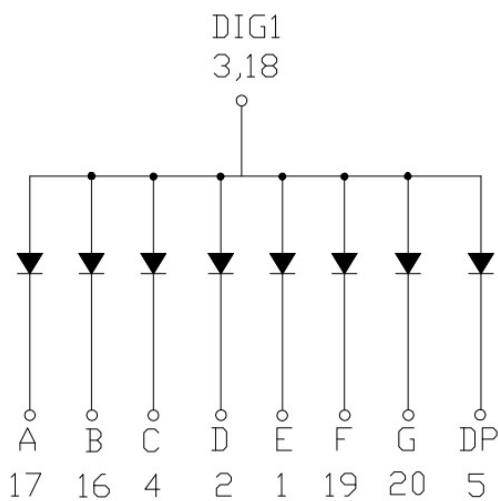
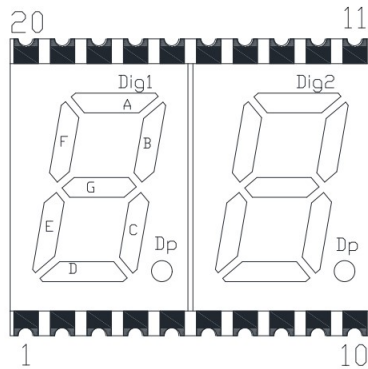
■ FEATURES:

- LED DISPLAY
- High intensity and reliability
- High quality, Low power requirement
- IC compatible , Easy assembly

■ DESCRIPTION:

- Black face , White fields
- Common Anode Display
- White Color(InGaN)
- RoHS Compliant

■ INTERNAL CIRCUIT DIAGRAM





LED DISPLAY

ESD-GS4020AW-B

REV:A / 0

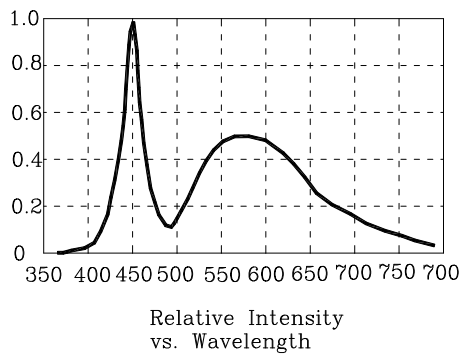
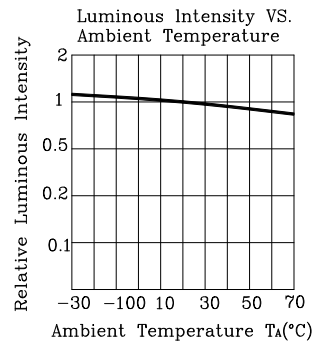
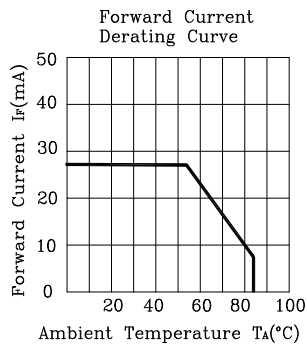
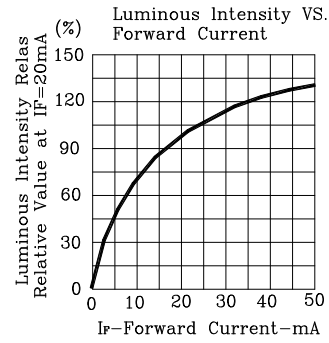
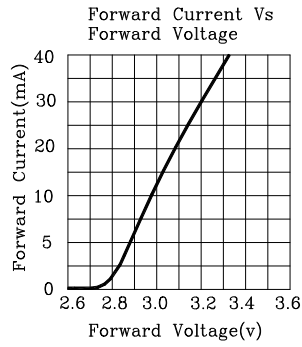
■ ABSOLUTE MAXIMUM RATINGS AT Ta=25°C :

PARAMETER	Max.	UNIT
Power Dissipation Per Segment	80	mW
Peak Forward Current Per Segment (1/10duty cycle 0.1ms pulse width)	100	mA
Average Forward Current Per Segment	20	mA
Derating Linear From 25°C Per Segment	0.33	mA/°C
Reverse Voltage Per Segment	5	V
Operating Temperature Range	-35°C to + 85°C	
Storage Temperature Range	-35°C to + 85°C	

Lead Soldering Temperature 260°C at 1.6mm From Body for 3 seconds

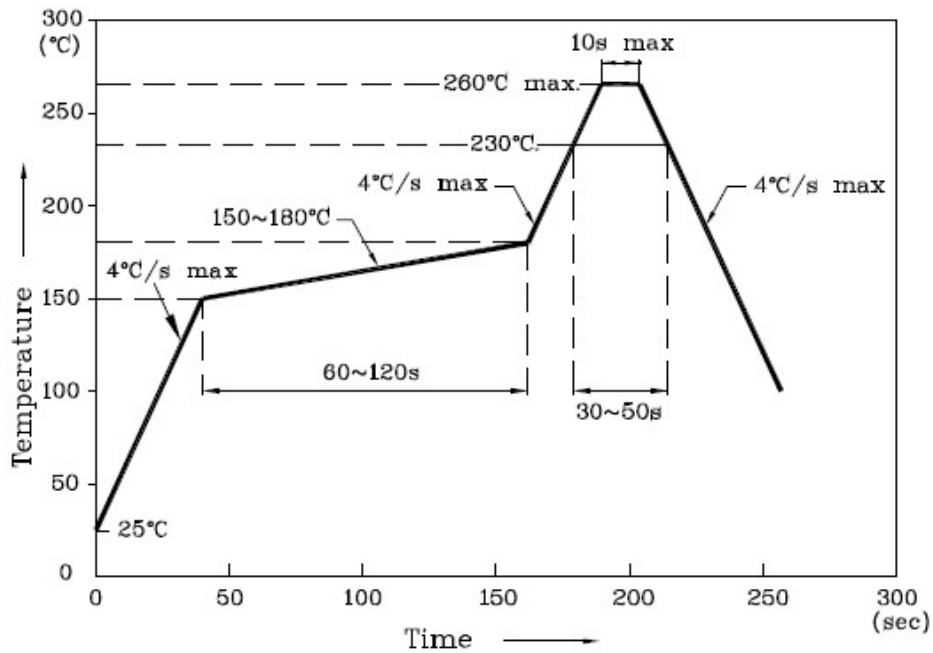
■ ELECTRICAL/OPTICAL CHARACTERISTICS AT Ta=25°C :

PARAMETER	SYMBOL	MIN.	TYP.	MAX.	UNIT	Test condition
Luminous Intensity Per Segment	I _v		40		mcd	I _F =10mA
Chromaticity Coordinate	x		0.27			I _F =10mA
	y		0.25			I _F =10mA
Forward Voltage Per Dice	V _F	2.7		3.2	V	I _F =10mA
Reverse Current Per Dice	I _R	--	--	50	μ A	V _R =5V



■ Recommended SMT condition:

Reflow Soldering Profile For Lead-free SMT Process.





Notes:

1. Maximum soldering temperature should not exceed 260°C.
2. Recommended reflow temperature: 145°C-260°C.
3. Do not put stress to the epoxy resin during high temperatures conditions.

Looking for pricing, stock, or lifecycle information?

Click below to explore more details on WIN SOURCE:

-  [View ESD-GS4020AW-B on WIN SOURCE](#)
-  [Shanghai Everstar Electronics Co., Ltd. Information](#)

Optimize Your Supply Chain with WIN SOURCE Solutions

-  Global Sourcing Solution
-  Obsolete Management
-  Cost Control Management
-  Shortage Management
-  Alternative Solution
-  Excess Inventory Management