



# THE DATASHEET OF ESS-2835UB





Jiangsu Everstar Electronics Co., Ltd.  
Address: No.111 Tianmu Rd, Tianmuhu Town, Liyang City, Jiangsu Province, China  
TEL: +86-519-87557772 FAX: +86-519-87557773  
Http: [www.everstarelect.com](http://www.everstarelect.com)

# DATA SHEET

ESL NO.. : ESS-2835UB

CUS NO. :

REV : A / 1

Producer: Eden

Auditor: \_\_\_\_\_

Approver: Jack

CUSTOMER'S APPROVAL : \_\_\_\_\_

DCC : \_\_\_\_\_



2835 SMD LED

ESS-2835UB

REV:A / 1

※ **Features:**

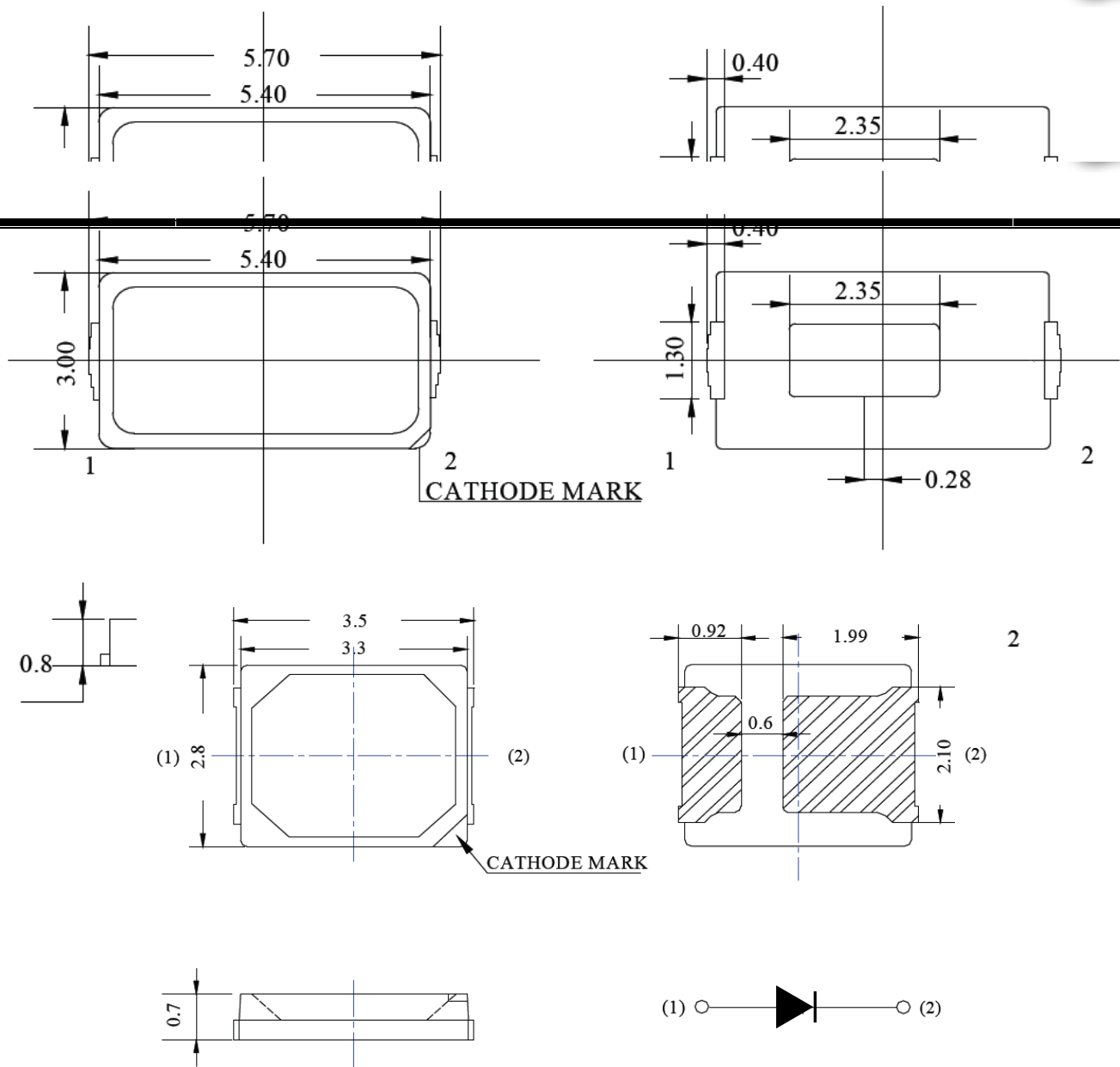
1. PLCC-2 package.
2. Silicone resin.
3. High luminous Intensity and high efficiency.
4. High Color rendering index.
5. Low Color Tolerance Adjustment.
6. 120° wide viewing angle.
7. Compatible with automatic placement equipment.
8. Compatible with reflow solder process.
9. Suitable for all SMT assembly methods.
10. Doesn' t contain restriction Substance, comply ROHS standard.

※ **Applications:**

1. Indoor Displays.
2. Backlighting (illuminated advertising, general lighting).
3. Substitution of fluorescent lamps.
4. Interior Automotive Lighting.
5. Signal and Symbol Luminaire.

※ **Chip Material:**

1. Dice Materia:InGaN
2. Light Color:Blue
3. Lens Color ;Water Clear



Unit: mm

Figure: 0.2W medium power thin series circuit diagram

Tolerance:  $\pm 0.2\text{mm}$  unless otherwise noted

Electrodes: Ag Plating Copper Alloy

Encapsulating Resin: Silicon Resin

Package: Heat-Resistant Polymer



# 2835 SMD LED

## ESS-2835UB

REV:A / 1

### ※ Absolute Maximum Ratings(Ta=25°C)

Parameter	Symbol	Rating	Unit
Power Dissipation	Pd	200	mW
Pulse Forward Current*	I <sub>FP</sub>	100	mA
DC Forward Current	I <sub>F</sub>	60	mA
Reverse Voltage	V <sub>R</sub>	5	V
Operating Temperature	T <sub>opr</sub>	-30°C~85°C	°C
Storage Temperature	T <sub>stg</sub>	-40°C~100°C	°C

I<sub>FP</sub> condition: pulse width ≤0.1ms, duty cycle ≤1/10.

### ※ Electrical-optical characteristics(Ta=25°C)

ELECTRO-OPTICAL CHARACTERISTICS : ( Ta = 25°C )

SYMBOL	PARAMETER	TEST CONDITION	MIN.	TYP.	MAX.	UNIT
V <sub>F</sub>	Forward Voltage	I <sub>F</sub> = 60mA	2.8	/	3.2	V
I <sub>R</sub>	Reverse Current	V <sub>R</sub> = 5V	/	/	10	μA
λ <sub>D</sub>	Dominant Wavelength	I <sub>F</sub> = 60mA	450	/	465	nm
2θ <sub>1/2</sub>	Half Intensity Angle	I <sub>F</sub> = 60mA	/	120	/	deg
I <sub>V</sub>	Luminous Intensity	I <sub>F</sub> = 60mA	800	/	2000	mcd

Note: 1. Tolerance of Luminous Intensity ±10%.

2. Tolerance of Forward voltage ±0.05V.

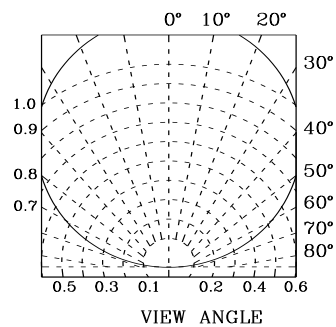
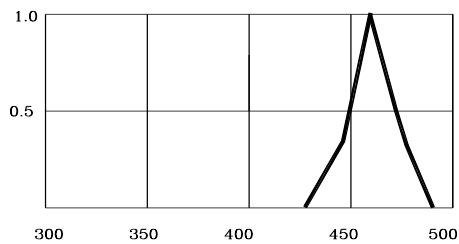
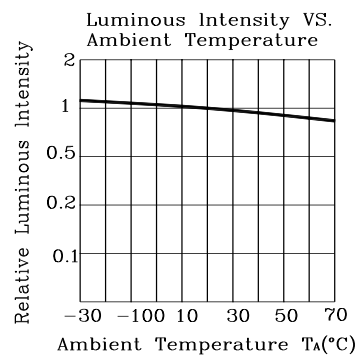
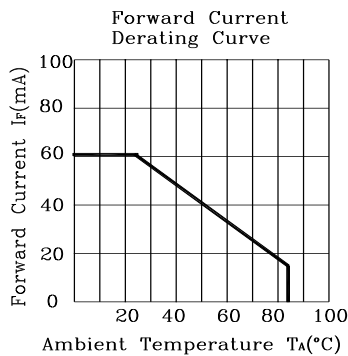
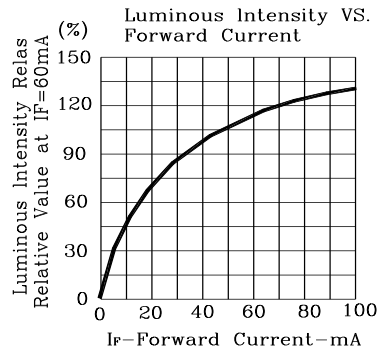
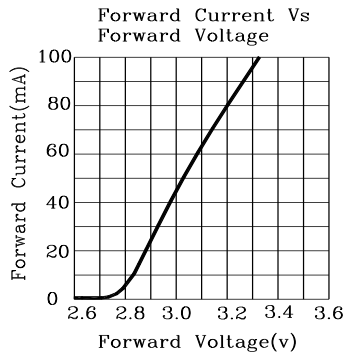


# 2835 SMD LED

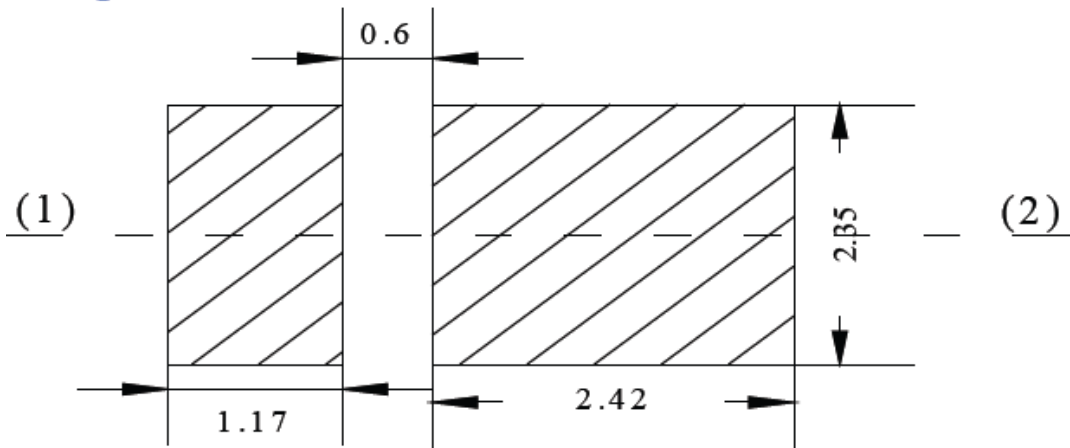
## ESS-2835UB

REV:A / 1

### ※Typical Electro-Optical Characteristics Curves

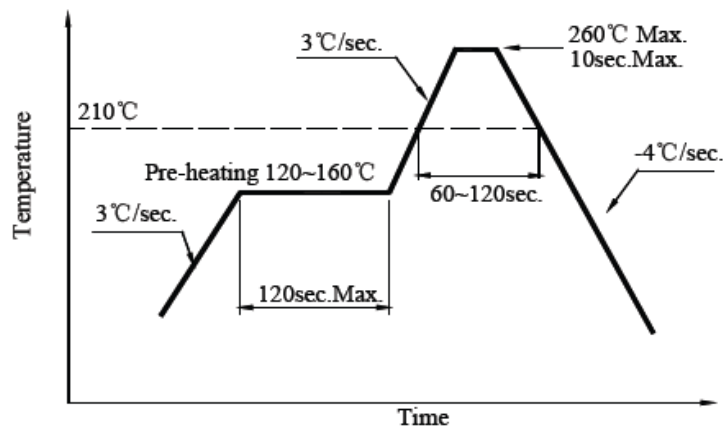


※ Soldering Pad Dimensions



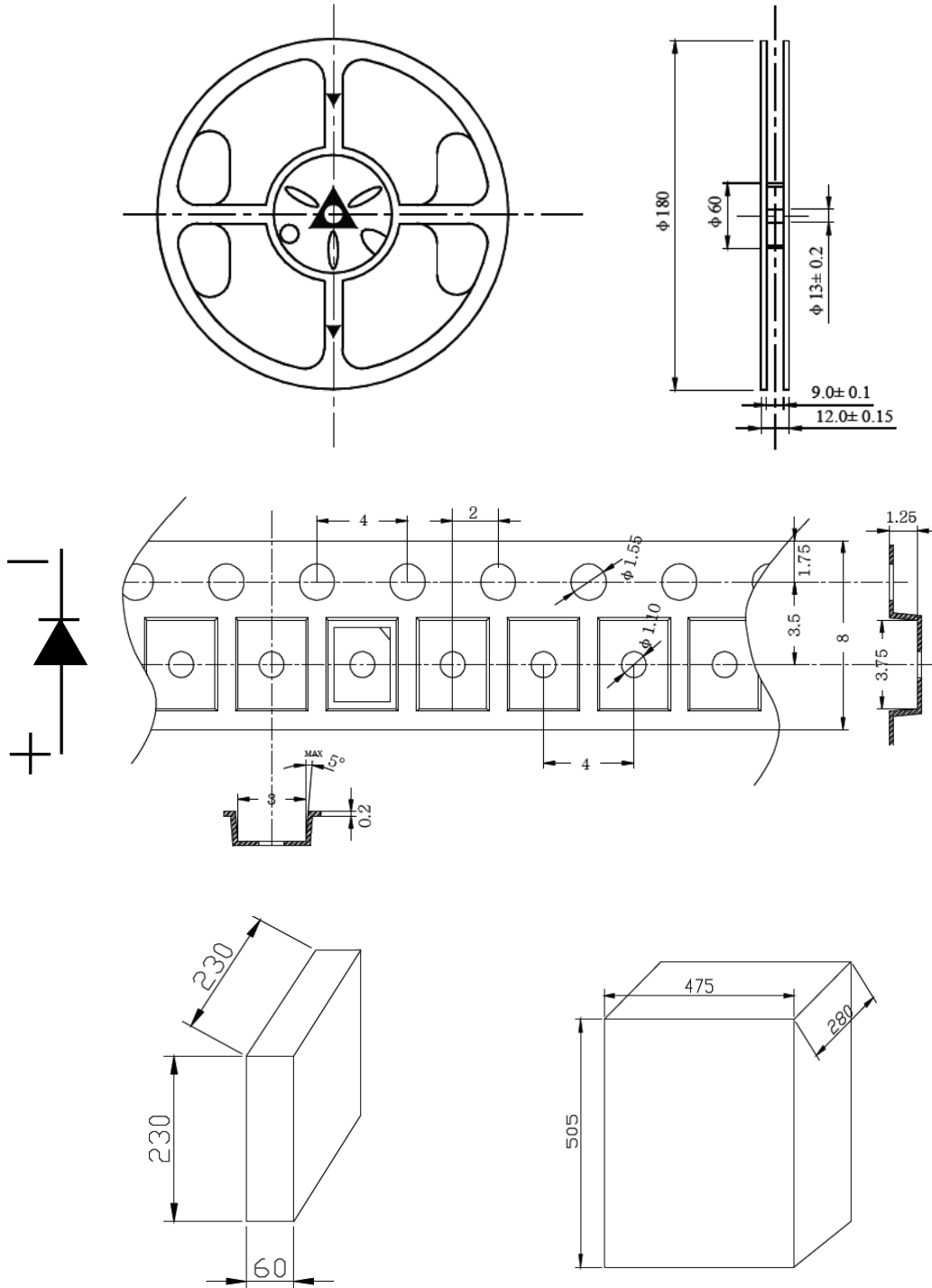
※ Soldering Conditions (Maximum allowable soldering conditions)

Reflow soldering profile  
<Pb-free solder>



- Reflow soldering should not be done more than two times.
- Do not stress its resin while soldering.
- After soldering, do not warp the circuit board.
- Pay attention to electrostatic (ESD).

※ Package Tape Specifications: (4000 pcs/Reel)



5 Reels in one Box

16 Boxes in one Carton

## Looking for pricing, stock, or lifecycle information?

Click below to explore more details on WIN SOURCE:

- [View ESS-2835UB on WIN SOURCE](#)
- [Shanghai Everstar Electronics Co., Ltd. Information](#)

## Optimize Your Supply Chain with WIN SOURCE Solutions

- ✓ Global Sourcing Solution
- ✓ Obsolete Management
- ✓ Cost Control Management
- ✓ Shortage Management
- ✓ Alternative Solution
- ✓ Excess Inventory Management