



THE DATASHEET OF ESS-JC150YGKT-C



Jiangsu Everstar Electronics Co., Ltd.

Address:No.6 Xiangshan Rd, Tianmuhu Industry Park, Liyang City, Jiangsu Province, China

TEL: +86-519-87557772

FAX: +86-519-87557773

Http: www.everstarelect.com

DATA SHEET

ESL NO.. : ESS-JC150YGKT-C

CUS NO. :

REV : A / 0

Producer: *Eden*

Auditor _____

Approver: *Jack*

CUSTOMER'S APPROVAL : _____

DCC : _____

1204 SMD LED

ESS-JC150YGKT-C

REV:A / 0

※ **Features:**

1. 1204 package
2. Top view LED
3. Compatible with infrared and vapor phase reflow solder process.
4. Wide viewing angle
5. Pb-free
6. RoHS compliant

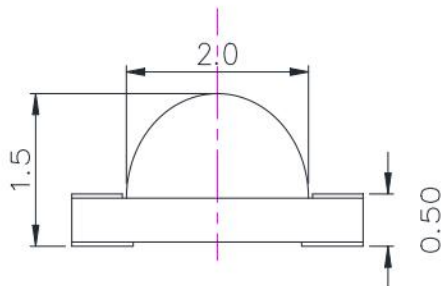
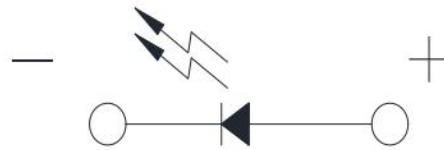
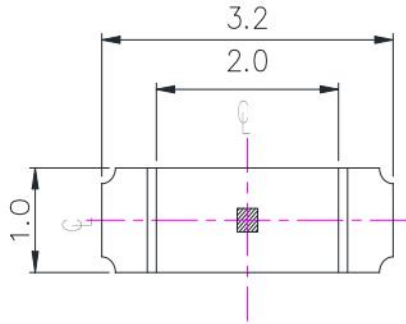
※ **Applications:**

1. General lighting
2. Decorative and Entertainment lighting
3. Status indicators
4. Automotive Telecommunication & Switch lights

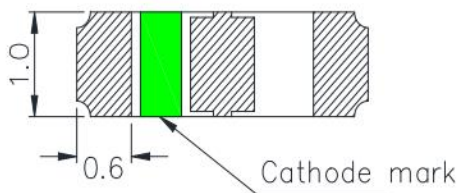
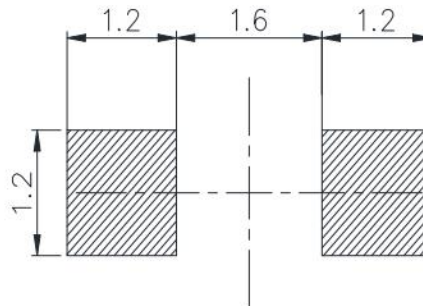
※ **Color**

- * Chip Material : InGaN
- * Light Color : Yellow Green
- * Lens Color : Water Clear

※ Package Outline Dimension:



Recommended Solder Pad



NOTES:

1. All dimensions are in millimeters (inches).
2. Tolerance is $\pm 0.10\text{mm}$ unless otherwise specified.
3. Specifications are subject to change without notice.

1204 SMD LED

ESS-JC150YGKT-C

REV:A / 0

※ Absolute Maximum Ratings(Ta=25°C)

| Parameter | Symbol | Rating | Unit |
|-------------------------|------------------|----------------------|------|
| Power Dissipation | Pd | 80 | mW |
| Pulse Forward Current * | I _{FP} | 100 | mA |
| Forward current | I _F | 20 | mA |
| Soldering Temperature | T _{sol} | 260 (for 10 seconds) | °C |
| Operating Temperature | T _{opr} | -40°C~85°C | - |
| Storage Temperature | T _{stg} | -40°C~100°C | - |
| Reverse Voltage | V _R | 5 | V |

Note:

The products are sensitive to static electricity and must be carefully taken when handling products.

※ Electrical-optical characteristics(Ta=25°C)

| Parameter | Symbol | Min. | Typ. | Max. | Unit | Condition |
|--------------------|-------------------|------|------|------|------|----------------------|
| Forward Voltage | V _f | 1.8 | | 2.4 | V | I _F =20mA |
| Luminous Intensity | I _v | 28 | | 70 | mcd | |
| Viewing Angle | 2θ _{1/2} | - | 120 | | deg | |
| Reverse Current | I _R | | - | 10 | μA | V _R =5V |
| Wavelength | λ | 565 | / | 575 | nm | I _F =20mA |

Note: 1. Tolerance of luminous intensity is ±10%

2. Tolerance of forward voltage is ±0.05V

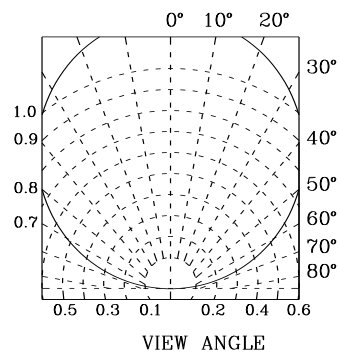
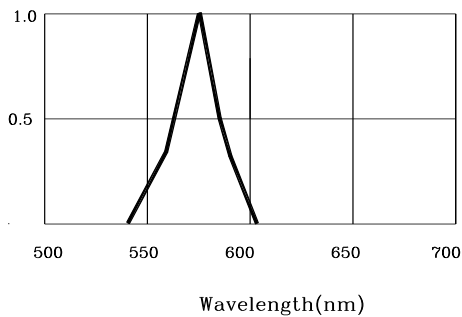
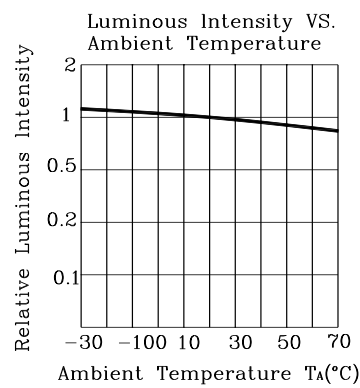
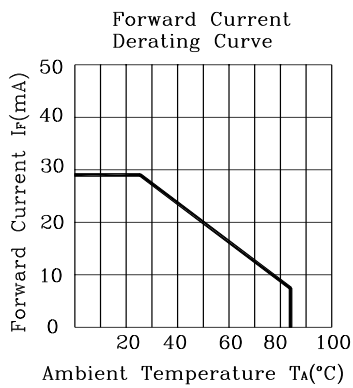
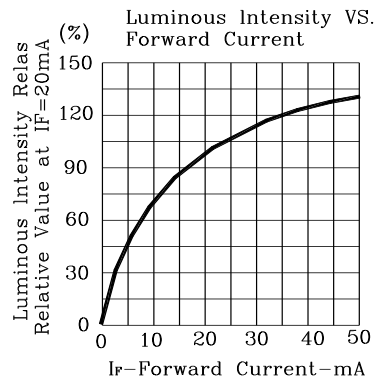
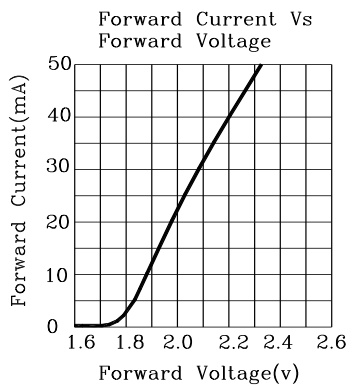
2. Tolerance of Dominant Wavelength is ±0.1nm

1204 SMD LED

ESS-JC150YGKT-C

REV:A /0

※ Typical Electro-Optical Characteristics Curves

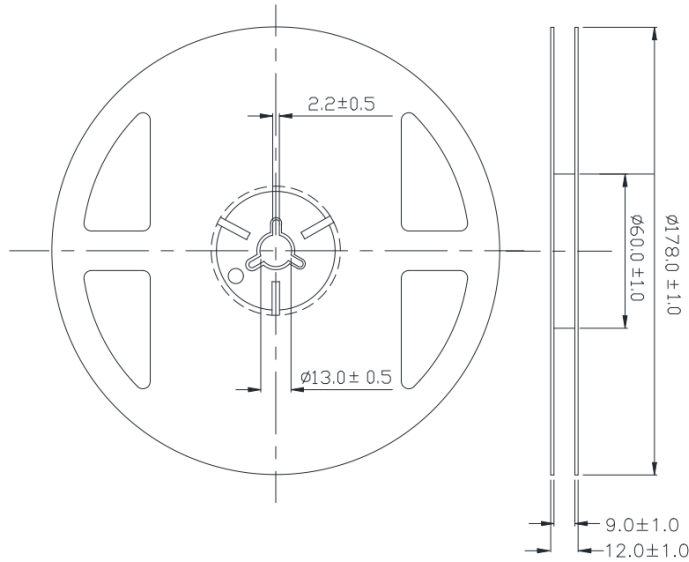


1204 SMD LED

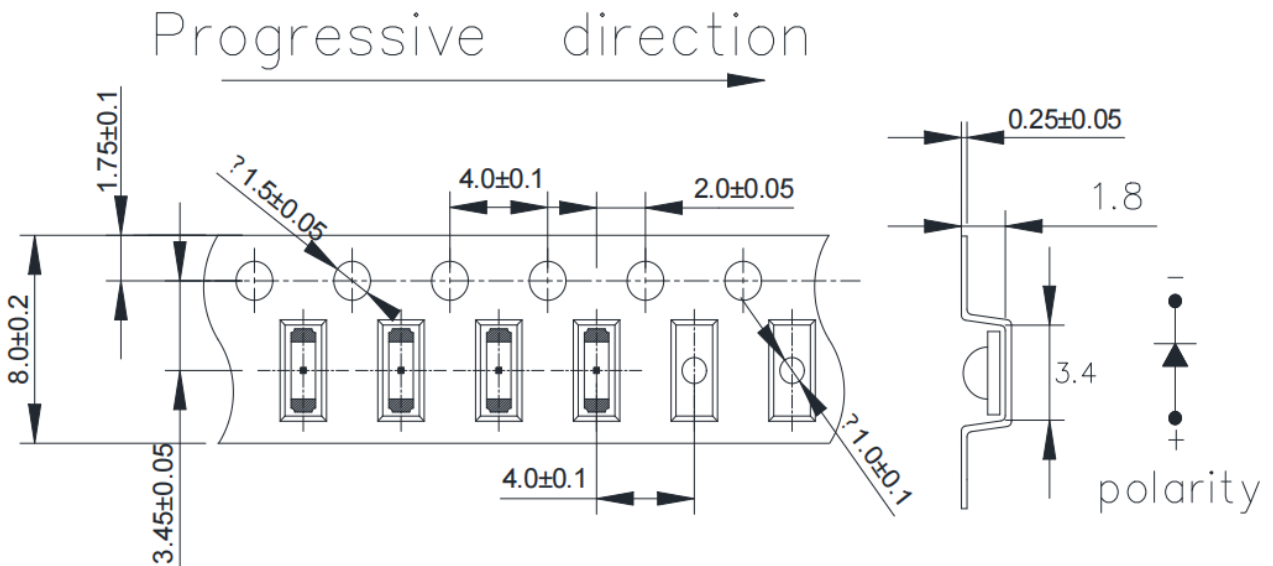
ESS-JC150YGKT-C

REV:A / 0

※ Package Tape Specifications: (3000 pcs/Reel)



Note:
Tolerances unless mentioned $\pm 0.1\text{mm}$, Unit = mm.



1204 SMD LED

ESS-JC150YGKT-C

REV:A / 0

※ Precautions for use :

1. Customer must apply the current limiting resistor in the circuit so as to drive the LEDs within the rated current. Otherwise slight voltage shift maybe will cause big current change and burn out will happen.
2. Also, caution should be taken not to overload the LEDs with instantaneous high voltage at the turning ON and OFF of the circuit.
3. Storage:

3.1 Don't open the moisture proof bag before ready to use the LEDs.

3.2 The LEDs should be kept at 30°C or less and 60%RH or less before opening the package.

The max. storage period before opening the package is 1 year.

3.3 After opening the package, the LEDs should be kept at 30°C/35%RH or less, and it should

be used within 7 days.

3.4 If the LEDs be kept over the conditions of 3.4, baking is required before mounting.

Baking

condition as below: 60±5°C for 12 hrs.

4. Soldering condition:

4.1 Manual of soldering:

The temp. of the iron should be lower than 260°C and soldering within 3sec per solder-pad is to be observed.

4.2 Pb-free solder temp. -time profile

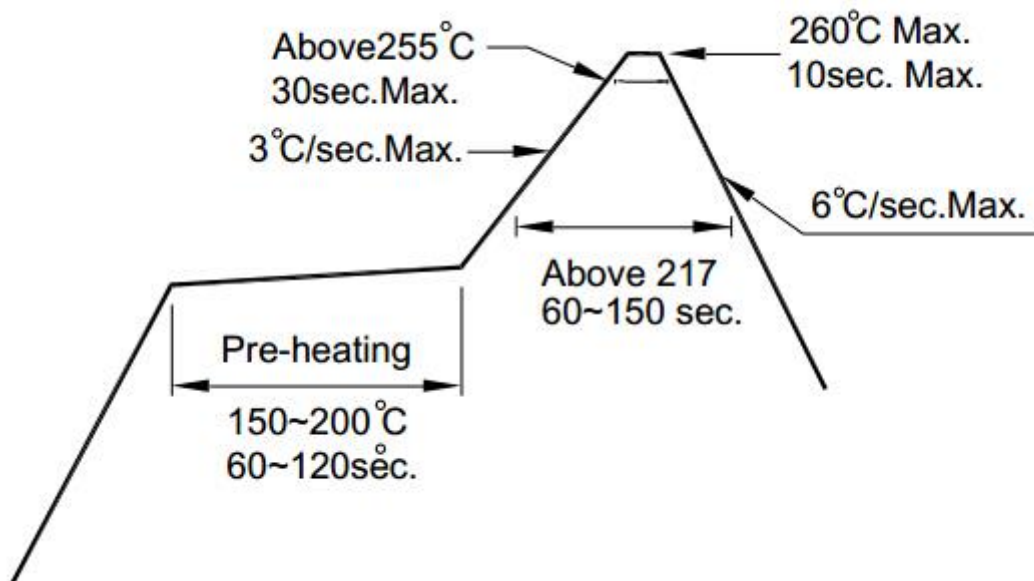
4.3 DIP soldering (Wave Soldering) temp. -time profile:

Note:

a) Reflow soldering should not be done more than two times.

b) Don't put stress on the LEDs when soldering.

c) Don't warp the circuit board before it have been returned to normal ambient conditions after soldering.



Looking for pricing, stock, or lifecycle information?

Click below to explore more details on WIN SOURCE:

- [View ESS-JC150YGKT-C on WIN SOURCE](#)
- [Shanghai Everstar Electronics Co., Ltd. Information](#)

Optimize Your Supply Chain with WIN SOURCE Solutions

- ✓ Global Sourcing Solution
- ✓ Obsolete Management
- ✓ Cost Control Management
- ✓ Shortage Management
- ✓ Alternative Solution
- ✓ Excess Inventory Management