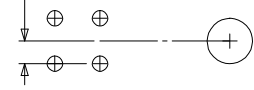
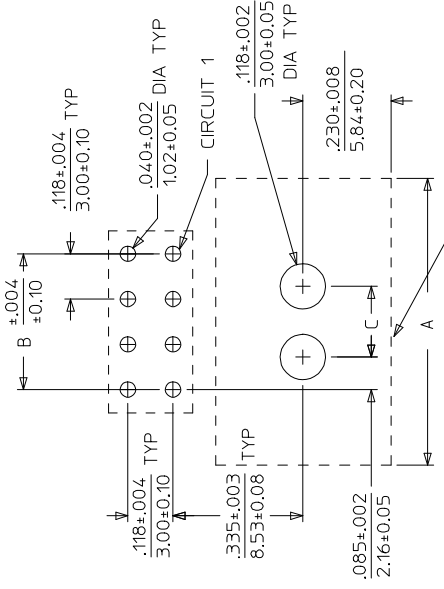
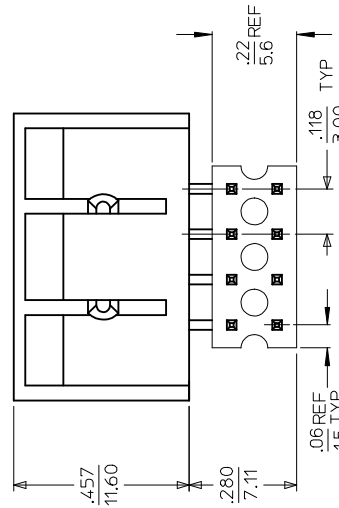
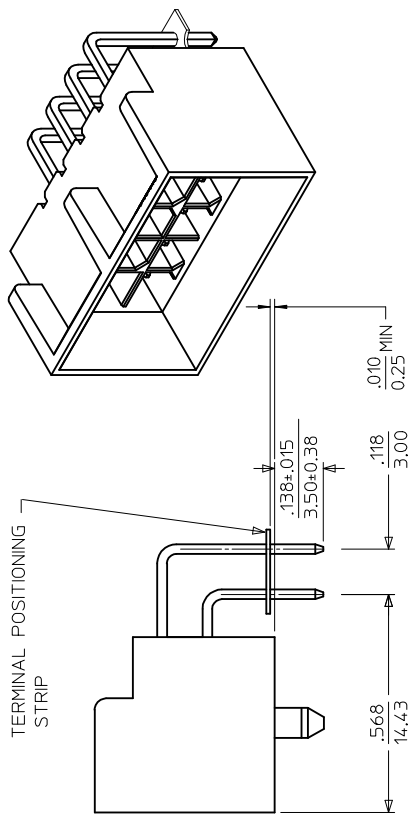
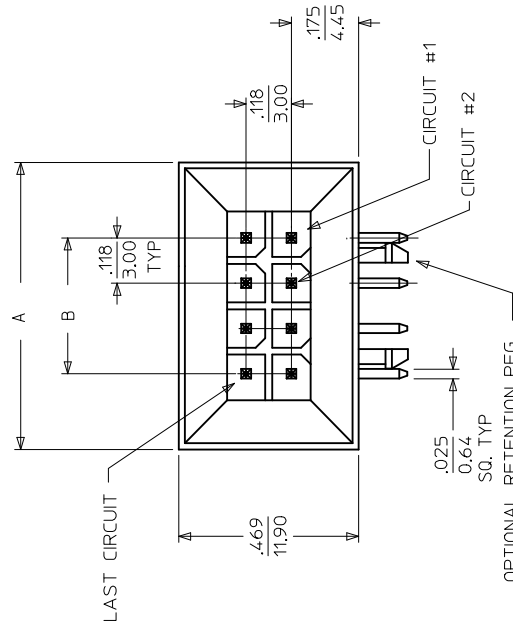




THE DATASHEET OF
0444281001





NOTES :

1. MATERIALS -
HOUSING : NYLON , GLASS-FILLED, UL94V-0 COLOR - BLACK
TERMINAL : BRASS ALLOY
TERMINAL POSITIONING STRIP : HIGH TEMPERATURE PET LAMINATE,
COLOR - NATURAL
2. FINISH:
A = .000200/(0.00508) MIN. BRIGHT TIN OVER .000050/(0.00127) MIN. NICKEL.
B = .000015/(0.00038) MIN. SELECT GOLD IN CONTACT AREA.
.000700/(0.00254) MIN. MATTE TIN ON SOLDER TAILS,
BOTH OVER .000050/(0.00127) MIN. NICKEL.
C = .000030/(0.00076) MIN. SELECT GOLD IN CONTACT AREA.
.000700/(0.00254) MIN. MATTE TIN ON SOLDER TAILS,
BOTH OVER .000050/(0.00127) MIN. NICKEL.
D = .000700/(0.00254) MIN MATTE TIN OVER .000050/(0.00127) MIN NICKEL.
3. PRODUCT SPECIFICATION : PS-44300-001
4. PACKAGING SPECIFICATION : PK-44428-001
5. THIS ASSEMBLY MATES WITH MOLEX BMI PANEL MOUNT RECEPTACLE (SEE DRAWING SD-44133-001) WITH FEMALE CRIMP TERMINAL (SEE DRAWING SD-43030-****) AND BMI RECEPTACLE HEADERS (SEE DRAWING SD-44764-001 OR SD-44769-001).
6. THIS PART CONFORMS TO CLASS 'B' REQUIREMENTS OF COSMETIC SPECIFICATION PS-45499-002.

PCB LAYOUT: COMPONENT SIDE
RECOMMENDED PCB THICKNESS .062/1.57

8 THRU 24 CIRCUITS

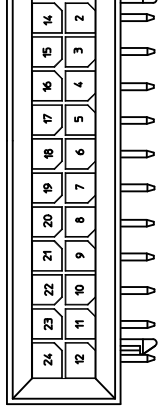
PCB LAYOUT: COMPONENT SIDE
4 CIRCUIT ON

QUALITY SYMBOLS	GENERAL TOLERANCES (UNLESS SPECIFIED)	DIMENSION STYLE IN/MM
= 0	4 PLACES ± --- INCH	DRAWN BY DATE MUELLER 1999/11/29
= 0	3 PLACES ± --- ± .010	CHECKED BY DATE MUELLER 1999/11/29
= 0	2 PLACES ± 0.25 ± .015	APPROVED BY DATE FSMITH 2016/02/15
= 0	1 PLACE ± 0.38 ± ---	MATERIAL NO.
= 0	0 PLACE ± --- ± ---	SEE CHART
DRAFT WHERE APPLICABLE MUST REMAIN WITHIN DIMENSIONS		SIZE THIS DRAWING CONTAINS INCORPORATED AND ST

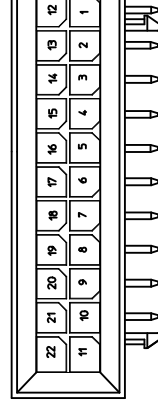
REV	DESCRIPTION
H5	POSITION STRIP MATL
	FC NO: UCR2016-2887
	DRW/CSLAFTER
	CHKD:JDFOX
	APP:FSMITH
	2016/01/20
	2016/02/15

13	12	11	10	9	8	7	6	5	4
MATERIAL NUMBER	NUMBER OF CIRCUITS	FINISH OPTION	RETENTION PEG OPTION	MATERIAL NUMBER	NUMBER OF CIRCUITS	FINISH OPTION	RETENTION PEG OPTION		
44428-0401	04	A	YES	44428-1601	16	A	YES		
44428-0402	04	B	YES	44428-1602	16	B	YES		
44428-0403	04	C	YES	44428-1603	16	C	YES		
44428-0404	04	A	NO	44428-1604	16	A	NO		
44428-0405	04	B	NO	44428-1605	16	B	NO		
44428-0406	04	C	NO	44428-1606	16	C	NO		
44428-0407	04	D	YES	44428-1607	16	D	YES		
44428-0601	06	A	YES	44428-1801	18	A	YES		
44428-0602	06	B	YES	44428-1802	18	B	YES		
44428-0603	06	C	YES	44428-1803	18	C	YES		
44428-0604	06	A	NO	44428-1804	18	A	NO		
44428-0605	06	B	NO	44428-1805	18	B	NO		
44428-0606	06	C	NO	44428-1806	18	C	NO		
44428-0607	06	D	YES	44428-1807	18	D	YES		
44428-0801	08	A	YES	44428-2001	20	A	YES		
44428-0802	08	B	YES	44428-2002	20	B	YES		
44428-0803	08	C	YES	44428-2003	20	C	YES		
44428-0804	08	A	NO	44428-2004	20	A	NO		
44428-0805	08	B	NO	44428-2005	20	B	NO		
44428-0806	08	C	NO	44428-2006	20	C	NO		
44428-0807	08	D	YES	44428-2007	20	D	YES		
44428-1001	10	A	YES	44428-2201	22	A	YES		
44428-1002	10	B	YES	44428-2202	22	B	YES		
44428-1003	10	C	YES	44428-2203	22	C	YES		
44428-1004	10	A	NO	44428-2204	22	A	NO		
44428-1005	10	B	NO	44428-2205	22	B	NO		
44428-1006	10	C	NO	44428-2206	22	C	NO		
44428-1007	10	D	YES	44428-2207	22	D	YES		
44428-1201	12	A	YES	44428-2401	24	A	YES		
44428-1202	12	B	YES	44428-2402	24	B	YES		
44428-1203	12	C	YES	44428-2403	24	C	YES		
44428-1204	12	A	NO	44428-2404	24	A	NO		
44428-1205	12	B	NO	44428-2405	24	B	NO		
44428-1206	12	C	NO	44428-2406	24	C	NO		
44428-1207	12	D	YES	44428-2407	24	D	YES		
44428-1401	14	A	YES						
44428-1402	14	B	YES						
44428-1403	14	C	YES						
44428-1404	14	A	NO						
44428-1405	14	B	NO						
44428-1406	14	C	NO						
44428-1407	14	D	YES						

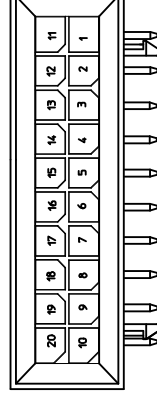
POLARIZATION LAYOUT
4-24 CIRCUITS



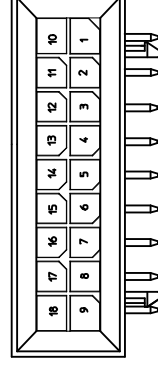
24 CIRCUIT



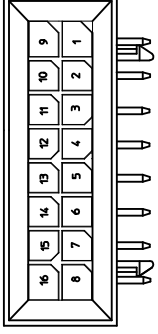
22 CIRCUIT



20 CIRCUIT



18 CIRCUIT



16 CIRCUIT

QUALITY SYMBOLS	= 0	GENERAL TOLERANCES (UNLESS SPECIFIED)	DIMENSION STYLE	DATE
	= 0	4 PLACES ± ---	IN/MM	1999/11/29
	= 0	3 PLACES ± ---	DRAWN BY	MUELLER
	= 0	2 PLACES ± 0.25	CHECKED BY	MUELLER
		1 PLACE ± 0.38	APPROVED BY	FSMITH
		0 PLACE ± ---	MATERIAL NO.	2016/02/15
		ANGULAR ±1/2°	SEE CHART	
		DRAFT WHERE APPLICABLE MUST REMAIN WITHIN DIMENSIONS	THIS DRAWING CONTAINS INCORPORATED AND S	

Looking for pricing, stock, or lifecycle information?

Click below to explore more details on WIN SOURCE:

 [View 0444281001 on WIN SOURCE](#)

 [Molex, LLC Information](#)

Optimize Your Supply Chain with WIN SOURCE Solutions

-  Global Sourcing Solution
-  Obsolete Management
-  Cost Control Management
-  Shortage Management
-  Alternative Solution
-  Excess Inventory Management