



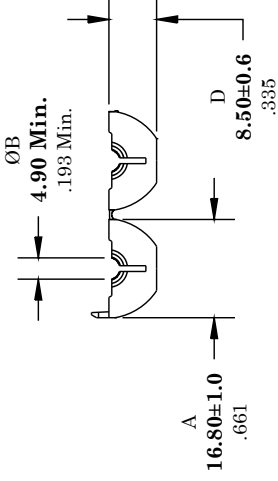
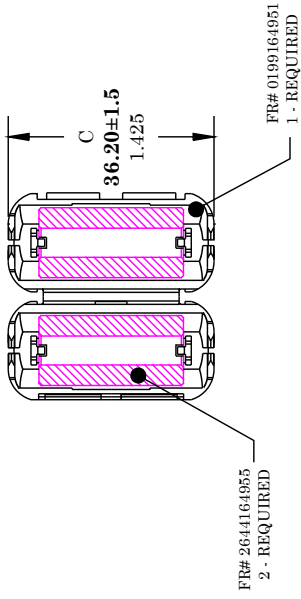
THE DATASHEET OF
0444164951



** Not all features are shown in this drawing. For more detailed information, please contact your Fair-Rite representative.

UNCONTROLLED ~CATALOG~ DRAWING

SIZE
B



DIMENSIONS
BOLD NUMBERS ARE IN MILLIMETERS
LIGHT NUMBERS ARE IN INCHES

NOTES:

- 1 - CASE MATERIAL: POLYPROPYLENE -- V0.
- 2 - CORE MATERIAL: FAIR-RITE PRODUCTS CORP. FR# 44.
- 3 - IMPEDANCE MEASURED ON AN E4991A USING A 16092A TEST FIXTURE.

ELECTRICAL S

Impedance	
25 MHz	
108 Min.	
N=1, #22 AWG	

FAIR-RITE	TITLE		ROUND
	DRAWN BY D. FOOTE	DATE 7/8/2020	SIZE B
	CHKD BY		
	APPRD BY		SCALE

Looking for pricing, stock, or lifecycle information?

Click below to explore more details on WIN SOURCE:

 [View 0444164951 on WIN SOURCE](#)

 [FAIR-RITE PRODUCTS](#) Information

Optimize Your Supply Chain with WIN SOURCE Solutions

-  Global Sourcing Solution
-  Obsolete Management
-  Cost Control Management
-  Shortage Management
-  Alternative Solution
-  Excess Inventory Management