



**THE DATASHEET OF**  
**089107.5NXS**



# LOW PROFILE MINI® Series

## Blade Fuses – Rated 58V



### Description

The Low Profile MINI® fuse has similar performance characteristics as the standard MINI® fuse. The lower overall height allows for more space and weight savings. The Low Profile MINI® fuse is designed to mate with tuning-fork terminals, which provides additional weight and material savings in fuse box designs by eliminating the need for female box terminals.

### Features & Benefits

- High-contrast ampere stamps on housings aid identification
- Offers additional material savings by reducing the need for sockets
- Color coding shows the amperage rating for each fuse
- See-through housings make it easier to see when fuses blow
- Checkpoints on top make it possible to measure resistance without removing the fuse
- Simple to install and remove
- Comply with ISO 8820-9

### Applications

- Cars / SUVs
- Trucks
- Offroad vehicles
- Buses
- Watercraft as approved by Littelfuse®

[See Disclaimer Notice](#)

### Agency Approvals

Agency	Agency File Number	Current Rating (A)
	20130320-E71611	2 – 30

### Additional Information



Resources



Samples

### Specifications

<b>Voltage Rating:</b>	58 V DC
<b>Interrupting Rating:</b>	1000 A @ 58 V DC
<b>Recommended Environmental Temperature:</b>	-40 °C to +125 °C
<b>Terminals Material:</b>	Silver plated zinc
<b>Housing Material:</b>	PA66 (U.L. 94 Flammability rating – HB)
<b>Typical Weight per Fuse:</b>	0.4 g
<b>Comply With:</b>	ISO 8820-9

\*Note: Silver plating allows up to 150 °C at the terminal interface.

### Ordering Information

Part Number	Current Rating (A)	Package Size
0891xxx.NXS	2 – 30	5000
0891xxx.U	2 – 30	500
0891xxx.H	2 – 30	100

# LOW PROFILE MINI® Series

## Blade Fuses – Rated 58V

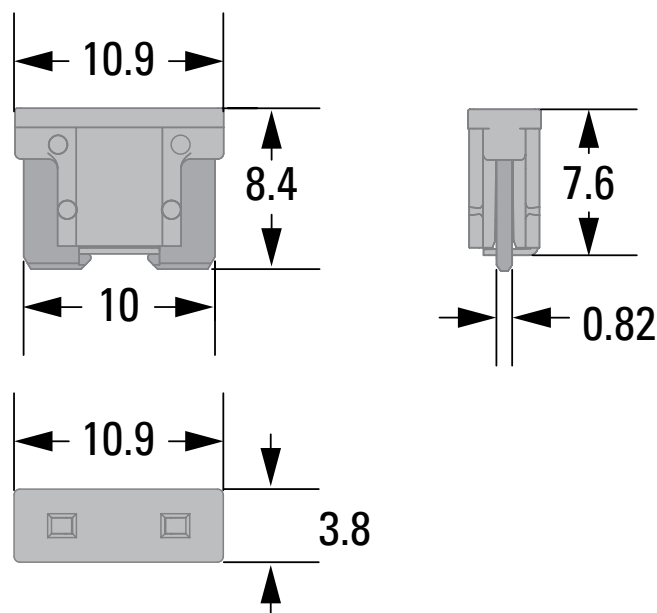
### Ratings

Part Number	Current Rating (A)	Housing Material Color	Test Cable Size (mm <sup>2</sup> )	Typ. Voltage Drop (mV)	Typ. Cold Resistance (mΩ)	Typ. I <sup>2</sup> t (A <sup>2</sup> s)
0891002_	2	Grey	0.5	151	54.2	3
0891005_	5	Orange	0.5	114	17.21	22
0891075_	7.5	Brown	0.75	105	10.65	53
0891010_	10	Red	1	97	7.59	102
0891015_	15	Blue	1.5	75	4.70	198
0891020_	20	Yellow	2.5	99	3.35	420
0891025_	25	White	2.5	96	2.56	613
0891030_	30	Green	4	96	2.06	1100

**Note:** The typical I<sup>2</sup>t is an average value calculated from the breaking capacity tests by using the melting time before the arcing occurs.

### Dimensions

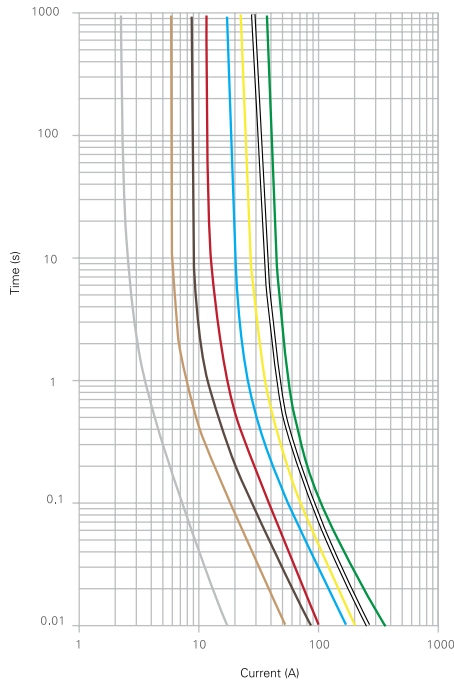
Dimensions in mm. Please refer to the outline drawing for dimensions and tolerances.



# LOW PROFILE MINI® Series

## Blade Fuses – Rated 58V

### Time-Current Characteristic



% of Rating	Opening Time Min. / Max. (s)
110	360 000 / -
135	0.75 / 120
200	0.15 / 5
350	0.08 / 0.25
600	0.03 / 0.1

- 2 A      — 15 A
- 5 A      — 20 A
- 7.5 A    — 25 A
- 10 A     — 30 A

**Note:** Current recommendation may be impacted by the final condition of the application (terminals characteristics, wire size etc..). Please contact Littelfuse® for more information.

**Disclaimer Notice** - Information furnished is believed to be accurate and reliable. However, users should independently evaluate the suitability of and test each product selected for their own applications. Littelfuse products are not designed for, and may not be used in, all applications. Read complete Disclaimer Notice at <https://www.littelfuse.com/legal/disclaimers/product-disclaimer.aspx>

## Looking for pricing, stock, or lifecycle information?

Click below to explore more details on WIN SOURCE:

 [View 089107.5NXS on WIN SOURCE](#)

 [Littelfuse Inc. Information](#)

## Optimize Your Supply Chain with WIN SOURCE Solutions

-  Global Sourcing Solution
-  Obsolete Management
-  Cost Control Management
-  Shortage Management
-  Alternative Solution
-  Excess Inventory Management