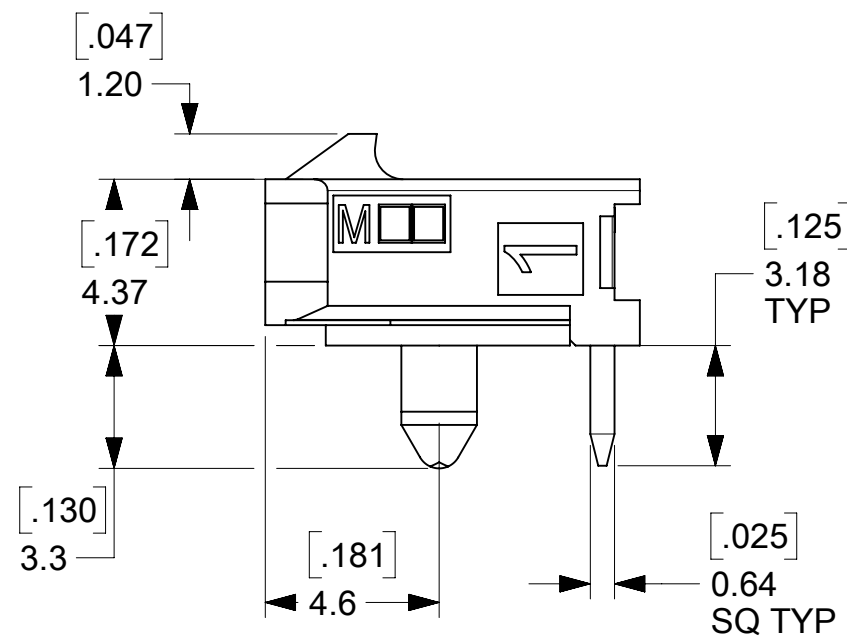
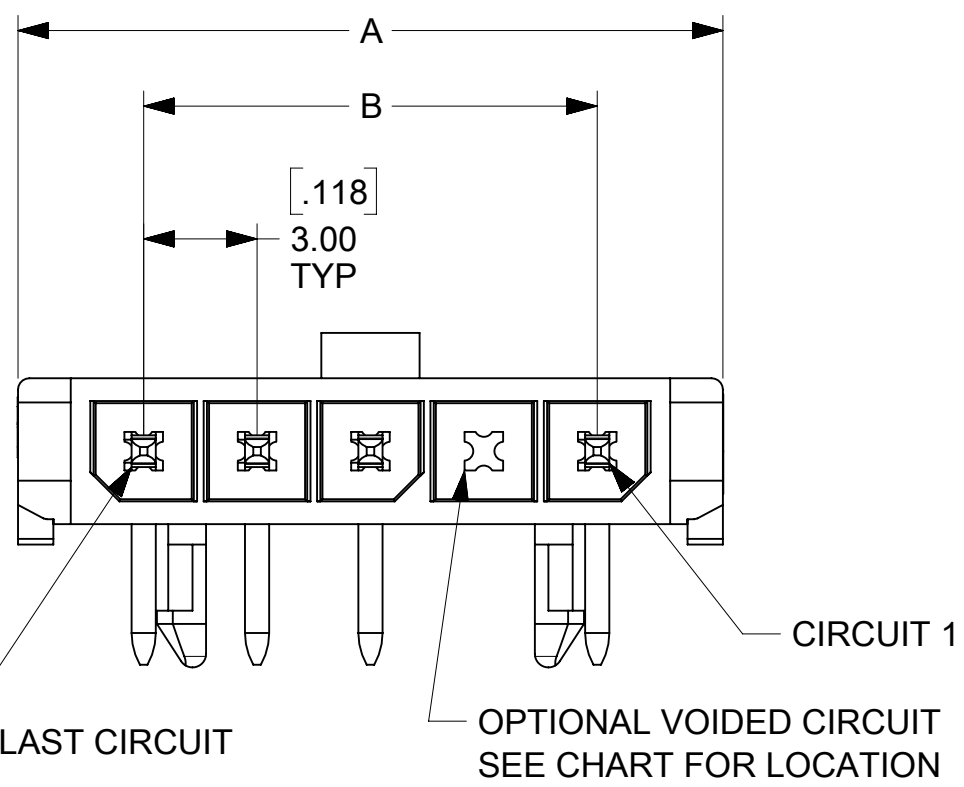
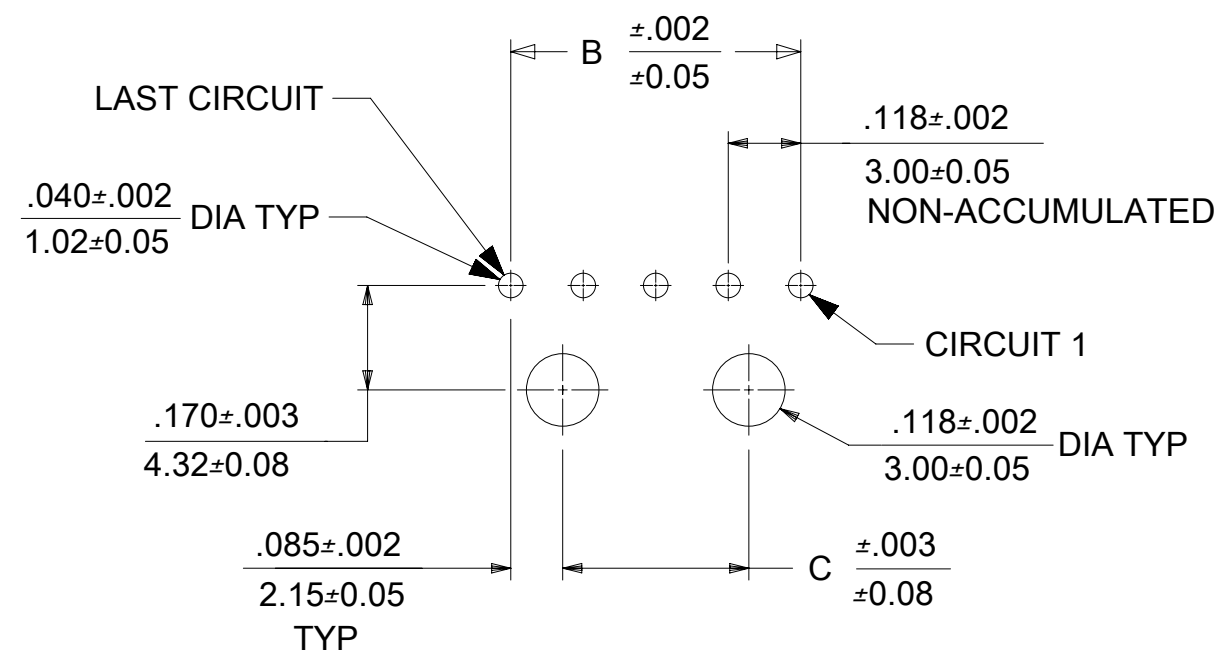
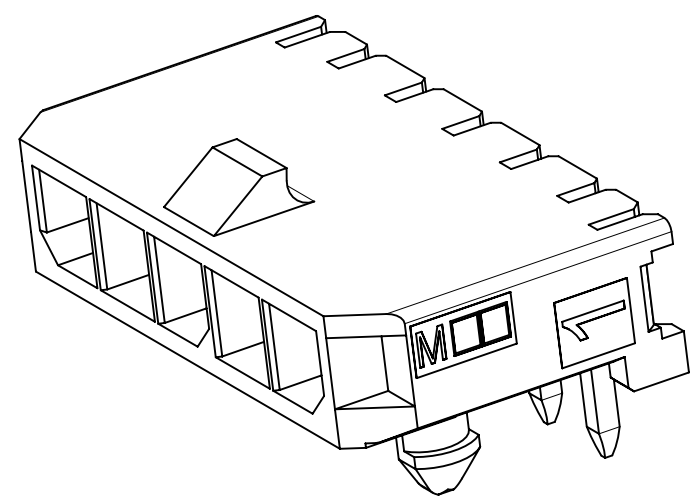
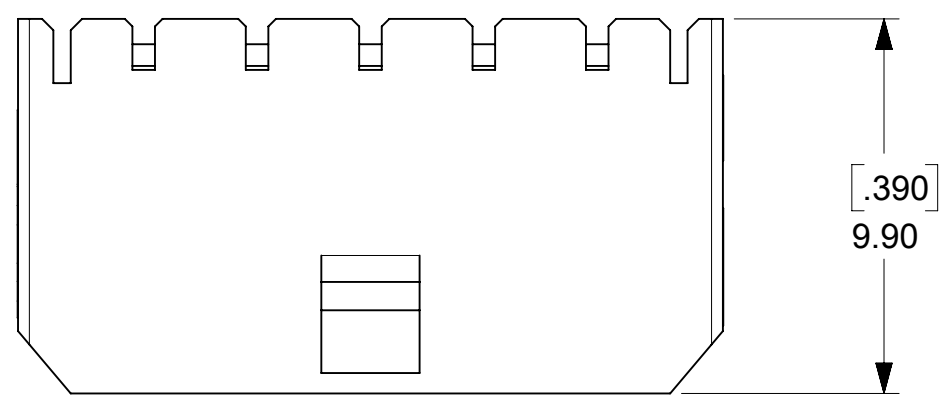


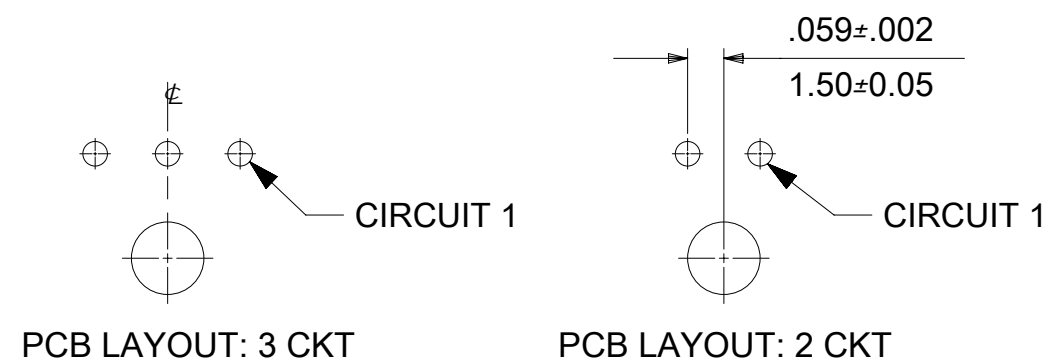


THE DATASHEET OF
0436500400



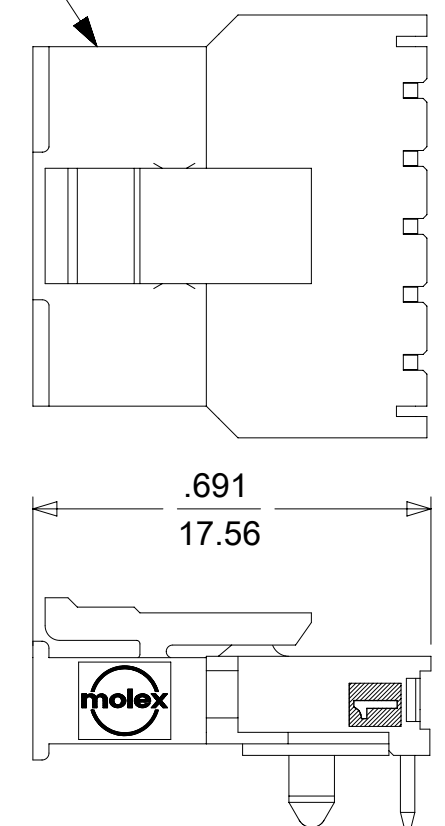


PCB LAYOUT: COMPONENT SIDE
RECOMMENDED PCB THICKNESS: .062/1.57
4-12 CIRCUIT HEADERS

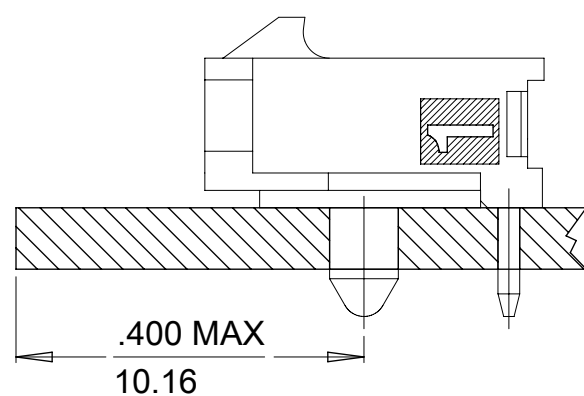


CKTS	A	B	C
2	.380 / 9.65	.118 / 3.00	N/A
3	.498 / 12.65	.236 / 6.00	N/A
4	.616 / 15.65	.354 / 9.00	.185 / 4.70
5	.734 / 18.64	.472 / 12.00	.303 / 7.70
6	.852 / 21.64	.591 / 15.00	.421 / 10.70
7	.970 / 24.64	.709 / 18.00	.539 / 13.70
8	1.088 / 27.64	.827 / 21.00	.657 / 16.70
9	12.06 / 30.63	.945 / 24.00	.776 / 19.70
10	1.325 / 33.66	1.063 / 27.00	.894 / 22.70
11	1.443 / 36.65	1.181 / 30.00	1.012 / 25.70
12	1.561 / 39.65	1.299 / 33.00	1.130 / 28.70

RECEPTACLE #43645



MATED MICRO FIT CONNECTOR



LOCATION DETAIL (SEE NOTE 6)

NOTES:

1. HOUSING MATERIAL: LIQUID CRYSTAL POLYMER, GLASS FILLED. UL94V-0, COLOR - BLACK

TERMINAL MATERIAL: BRASS ALLOY

2. FINISH:

A = .000060/(0.00152) MIN. REFLOWED MATTE TIN OVER
.000050/(0.00127) MIN. NICKEL
(FINISH IS BRIGHT IN APPEARANCE, THICKNESS AS APPLIED PRIOR TO REFLOW)

B = .000015/(0.00038) MIN. SELECT GOLD IN CONTACT AREA
.000100/(0.00254) MIN. SELECT MATTE TIN ON SOLDER TAILS BOTH OVER
.000050/(0.00127) NICKEL OVERALL

C = .000030/(0.00076) MIN. SELECT GOLD IN CONTACT AREA
.000100/(0.00254) MIN. SELECT MATTE TIN ON SOLDER TAILS BOTH OVER
.000050/(0.00127) NICKEL OVERALL

D = .000100/(0.00254) MIN. MATTE TIN OVER
.000050/(0.00127) MIN. NICKEL

- PRODUCT SPECIFICATION: PS-43650
- TRAY PACKAGED : SEE MOLEX DRAWING PK-70873-0321
- MATES WITH MICRO FIT (3.0) RECEPTACLE SERIES 43645
- TO AVOID INTERFERENCE BETWEEN RECEPTACLE AND PCB, HEADER MUST BE PLACED WITHIN .400/(10.16) MAX. FROM EDGE OF PCB, AS SHOWN IN LOCATION DETAIL.
- PARTS CONFORM TO CLASS 'B' REQUIREMENTS OF COSMETIC SPECIFICATION PS-45499-002
- TEXT ON PART IS FOR REFERENCE ONLY. TEXT AND TEXT LOCATION MAY VARY DEPENDING ON PART NUMBER AND/OR TOOL.

CKTS	FINISH A		VOID CKT #	FINISH B		VOID CKT #	FINISH C		VOID CKT #	FINISH D	
	MATERIAL NUMBER			MATERIAL NUMBER			MATERIAL NUMBER			MATERIAL NUMBER	
02	43650-0200		N/A	43650-0201		N/A	43650-0202		N/A	43650-0237	
03	43650-0300		N/A	43650-0301		N/A	43650-0302		N/A		
04	43650-0400		N/A	43650-0401		N/A	43650-0402		N/A		
05	43650-0500		N/A	43650-0501		N/A	43650-0502		N/A		
06	43650-0600		N/A	43650-0601		N/A	43650-0602		N/A		
07	43650-0700		N/A	43650-0701		N/A	43650-0702		N/A		
08	43650-0800		N/A	43650-0801		N/A	43650-0802		N/A		
09	43650-0900		N/A	43650-0901		N/A	43650-0902		N/A		
10	43650-1000		N/A	43650-1001		N/A	43650-1002		N/A		
11	43650-1100		N/A	43650-1101		N/A	43650-1102		N/A		
12	43650-1200		N/A	43650-1201		N/A	43650-1202		N/A		
03	43650-1300		2				43650-1502		2,3,4		
09	43650-1900		2,4,5	43650-1901		2,4,6,8					
10							43650-2002		2,3,5,6,8,9		
10							43650-3002		2,4,6,8,9		

THIS DRAWING CONTAINS INFORMATION THAT IS PROPRIETARY TO MOLEX ELECTRONIC TECHNOLOGIES, LLC AND SHOULD NOT BE USED WITHOUT WRITTEN PERMISSION

DIMENSION UNITS	SCALE	CURRENT REV DESC:	molex
mm	NTS		
GENERAL TOLERANCES (UNLESS SPECIFIED)		EC NO: 801794 DRWN: ZIXUAQ CHK'D: XQZHANG APPR: XQZHANG	MICROFIT(3.0) RIGHT ANGLE THRU HOLE PEGS SINGLE ROW - TRAY
4 PLACES	±		
3 PLACES	±	2024/11/05	PRODUCT CUSTOMER DRAWING
2 PLACES	± 0.25 ± 0.014	2024/11/05	
1 PLACE	± 0.35 ±	INITIAL REVISION:	DOCUMENT NUMBER
0 PLACES	±	DRWN: KSAMIEC APPR: FSMITH	
ANGULAR TOL	± 0.5 °	2000/07/07 2016/03/18	SD-43650-001
DRAFT WHERE APPLICABLE MUST REMAIN WITHIN DIMENSIONS	THIRD ANGLE PROJECTION	DRAWING	DOC TYPE
		C-SIZE	PSD
		SERIES	DOC PART
		43650	000
		SEE CHART	REVISION
		GENERAL MARKET	D8
		SHEET NUMBER	
		1 OF 1	

Looking for pricing, stock, or lifecycle information?

Click below to explore more details on WIN SOURCE:

 [View 0436500400 on WIN SOURCE](#)

 [Molex, LLC Information](#)

Optimize Your Supply Chain with WIN SOURCE Solutions

-  Global Sourcing Solution
-  Obsolete Management
-  Cost Control Management
-  Shortage Management
-  Alternative Solution
-  Excess Inventory Management