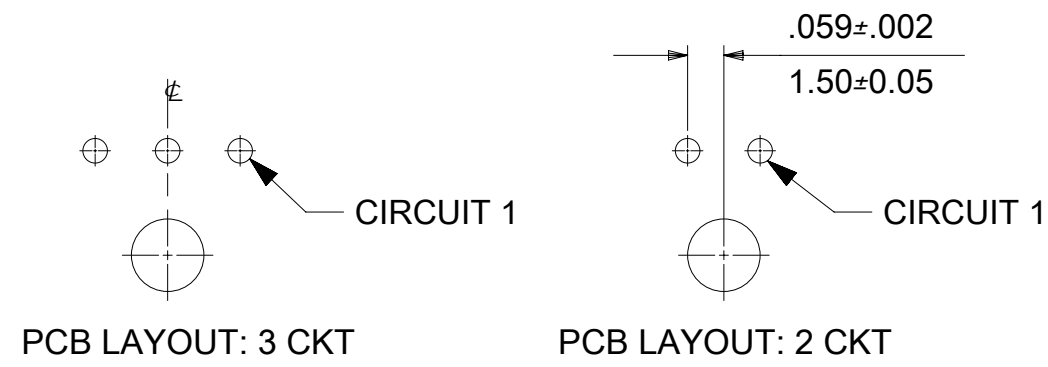
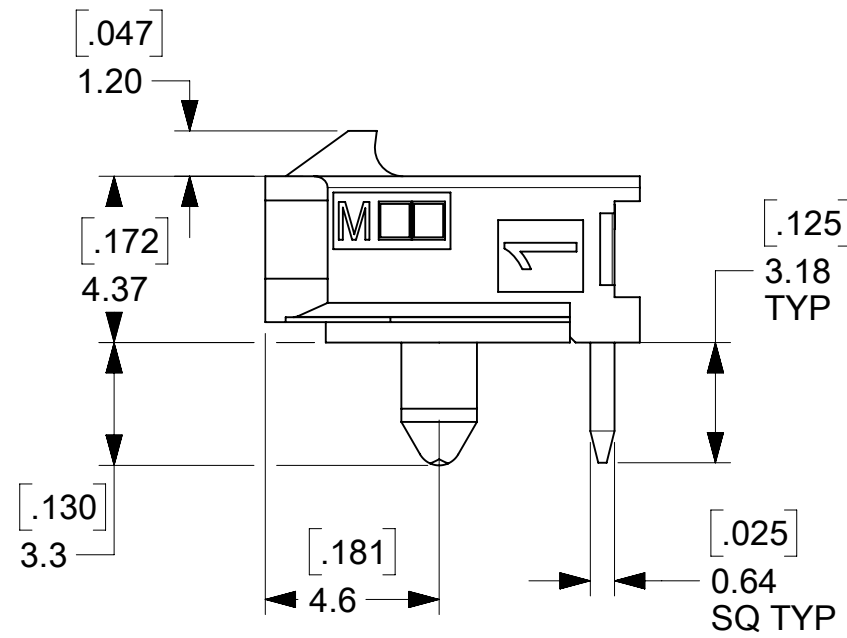
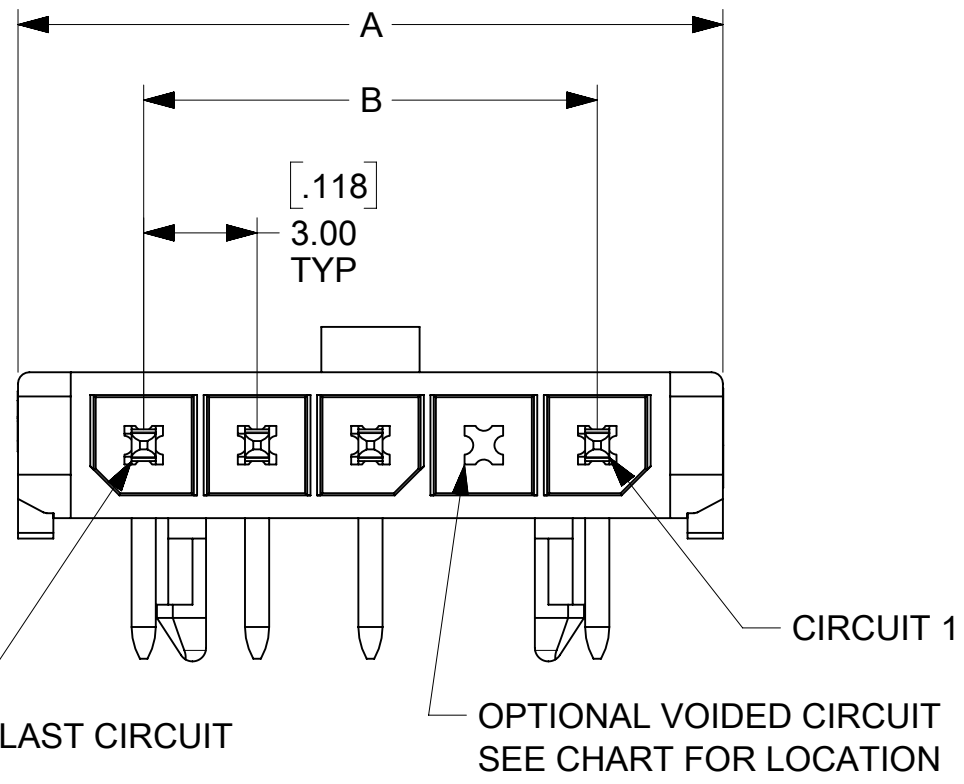


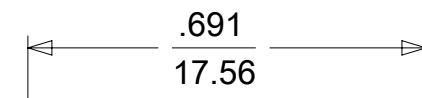
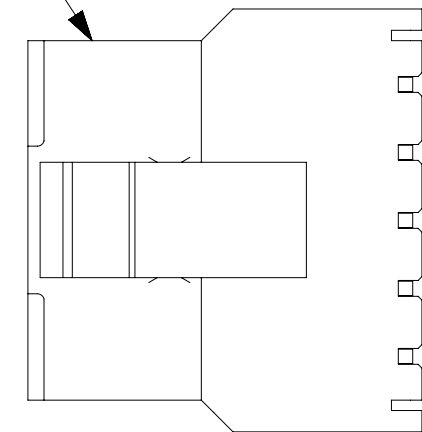
PCB LAYOUT: COMPONENT SIDE
RECOMMENDED PCB THICKNESS: .062/1.57
4-12 CIRCUIT HEADERS



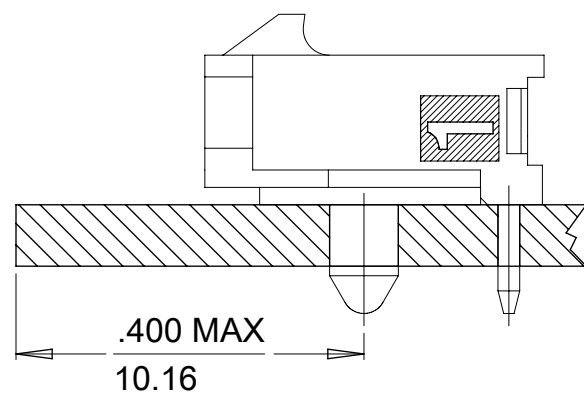
CKTS	A	B	C
2	.380 / 9.65	.118 / 3.00	N/A
3	.498 / 12.65	.236 / 6.00	N/A
4	.616 / 15.65	.354 / 9.00	.185 / 4.70
5	.734 / 18.64	.472 / 12.00	.303 / 7.70
6	.852 / 21.64	.591 / 15.00	.421 / 10.70
7	.970 / 24.64	.709 / 18.00	.539 / 13.70
8	1.088 / 27.64	.827 / 21.00	.657 / 16.70
9	12.06 / 30.63	.945 / 24.00	.776 / 19.70
10	1.325 / 33.66	1.063 / 27.00	.894 / 22.70
11	1.443 / 36.65	1.181 / 30.00	1.012 / 25.70
12	1.561 / 39.65	1.299 / 33.00	1.130 / 28.70



RECEPTACLE #43645



MATED MICRO FIT CONNECTOR



LOCATION DETAIL (SEE NOTE 6)

NOTES:

1. HOUSING MATERIAL: LIQUID CRYSTAL POLYMER, GLASS FILLED. UL94V-0, COLOR - BLACK

TERMINAL MATERIAL: BRASS ALLOY

2. FINISH:

A = .000060/(0.00152) MIN. REFLOWED MATTE TIN OVER
.000050/(0.00127) MIN. NICKEL
(FINISH IS BRIGHT IN APPEARANCE, THICKNESS AS APPLIED PRIOR TO REFLOW)

B = .000015/(0.00038) MIN. SELECT GOLD IN CONTACT AREA
.000100/(0.00254) MIN. SELECT MATTE TIN ON SOLDER TAILS BOTH OVER
.000050/(0.00127) NICKEL OVERALL

C = .000030/(0.00076) MIN. SELECT GOLD IN CONTACT AREA
.000100/(0.00254) MIN. SELECT MATTE TIN ON SOLDER TAILS BOTH OVER
.000050/(0.00127) NICKEL OVERALL

D = .000100/(0.00254) MIN. MATTE TIN OVER
.000050/(0.00127) MIN. NICKEL

- PRODUCT SPECIFICATION: PS-43650
- TRAY PACKAGED : SEE MOLEX DRAWING PK-70873-0321
- MATES WITH MICRO FIT (3.0) RECEPTACLE SERIES 43645
- TO AVOID INTERFERENCE BETWEEN RECEPTACLE AND PCB, HEADER MUST BE PLACED WITHIN .400/(10.16) MAX. FROM EDGE OF PCB, AS SHOWN IN LOCATION DETAIL.
- PARTS CONFORM TO CLASS 'B' REQUIREMENTS OF COSMETIC SPECIFICATION PS-45499-002
- TEXT ON PART IS FOR REFERENCE ONLY. TEXT AND TEXT LOCATION MAY VARY DEPENDING ON PART NUMBER AND/OR TOOL.

CKTS	FINISH A	VOID CKT #	FINISH B	VOID CKT #	FINISH C	VOID CKT #	FINISH D
	MATERIAL NUMBER		MATERIAL NUMBER		MATERIAL NUMBER		MATERIAL NUMBER
02	43650-0200	N/A	43650-0201	N/A	43650-0202	N/A	43650-0237
03	43650-0300	N/A	43650-0301	N/A	43650-0302	N/A	
04	43650-0400	N/A	43650-0401	N/A	43650-0402	N/A	
05	43650-0500	N/A	43650-0501	N/A	43650-0502	N/A	
06	43650-0600	N/A	43650-0601	N/A	43650-0602	N/A	
07	43650-0700	N/A	43650-0701	N/A	43650-0702	N/A	
08	43650-0800	N/A	43650-0801	N/A	43650-0802	N/A	
09	43650-0900	N/A	43650-0901	N/A	43650-0902	N/A	
10	43650-1000	N/A	43650-1001	N/A	43650-1002	N/A	
11	43650-1100	N/A	43650-1101	N/A	43650-1102	N/A	
12	43650-1200	N/A	43650-1201	N/A	43650-1202	N/A	
03	43650-1300	2			43650-1502	2,3,4	
09	43650-1900	2,4,5	43650-1901	2,4,6,8			
10					43650-2002	2,3,5,6,8,9	
10					43650-3002	2,4,6,8,9	

THIS DRAWING CONTAINS INFORMATION THAT IS PROPRIETARY TO MOLEX ELECTRONIC TECHNOLOGIES, LLC AND SHOULD NOT BE USED WITHOUT WRITTEN PERMISSION

DIMENSION UNITS	SCALE	CURRENT REV DESC:	molex		
mm	NTS				
GENERAL TOLERANCES (UNLESS SPECIFIED)			MICROFIT(3.0) RIGHT ANGLE THRU HOLE PEGS SINGLE ROW - TRAY		
	MM	INCH			
4 PLACES	±	±	PRODUCT CUSTOMER DRAWING		
3 PLACES	±	± 0.01			
2 PLACES	± 0.25	± 0.014	DOCUMENT NUMBER		
1 PLACE	± 0.35	±			
0 PLACES	±	±	SD-43650-001		
ANGULAR TOL	± 0.5 °				
DRAFT WHERE APPLICABLE MUST REMAIN WITHIN DIMENSIONS			SHEET NUMBER		
THIRD ANGLE PROJECTION			1 OF 1		
DRAWING			SERIES		
C-SIZE			43650		
MATERIAL NUMBER			CUSTOMER		
SEE CHART			GENERAL MARKET		
DOC TYPE			DOC PART		
PSD			000		
REVISION			D8		

DOCUMENT STATUS	P1	RELEASE DATE	2024/11/05	02:42:29
-----------------	----	--------------	------------	----------




Looking for pricing, stock, or lifecycle information?

Click below to explore more details on WIN SOURCE:

 [View 0436500200 on WIN SOURCE](#)

 [Molex, LLC Information](#)

Optimize Your Supply Chain with WIN SOURCE Solutions

-  Global Sourcing Solution
-  Obsolete Management
-  Cost Control Management
-  Shortage Management
-  Alternative Solution
-  Excess Inventory Management