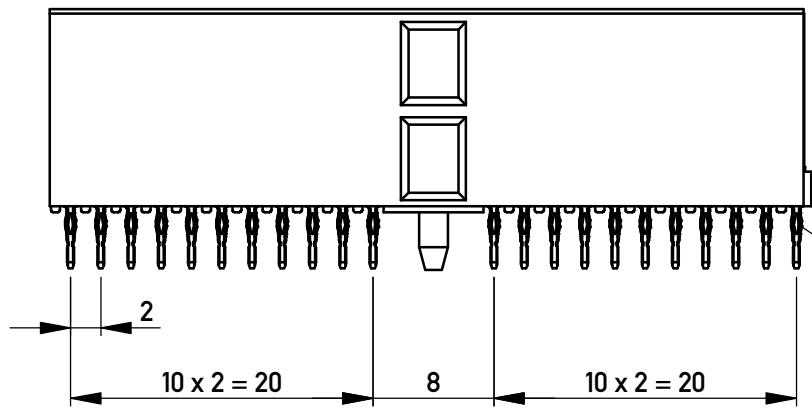


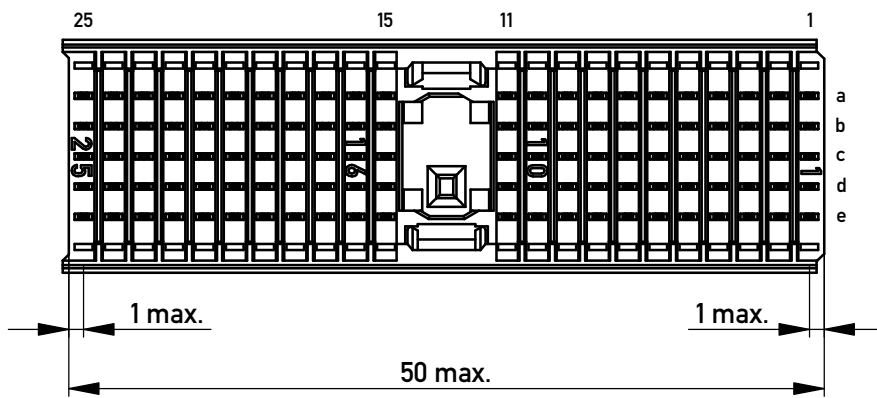
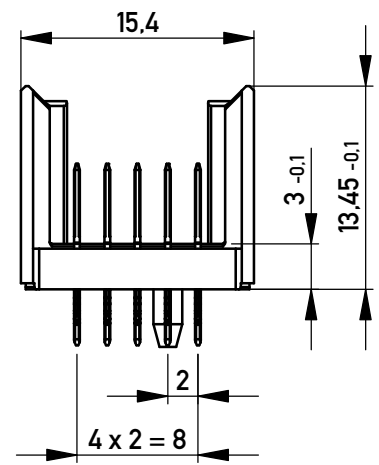


**THE DATASHEET OF**  
**043190**

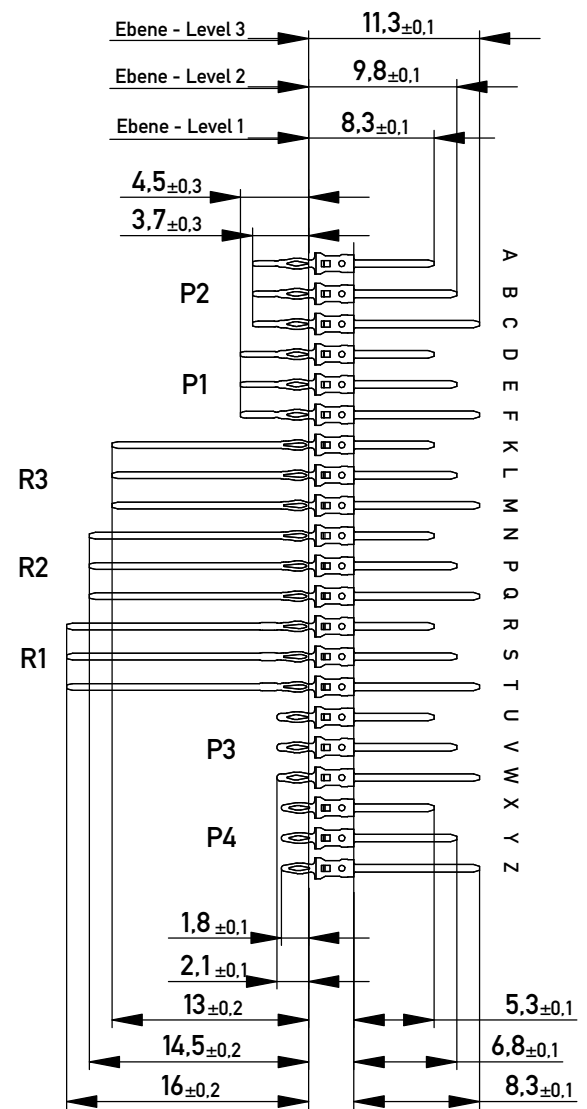
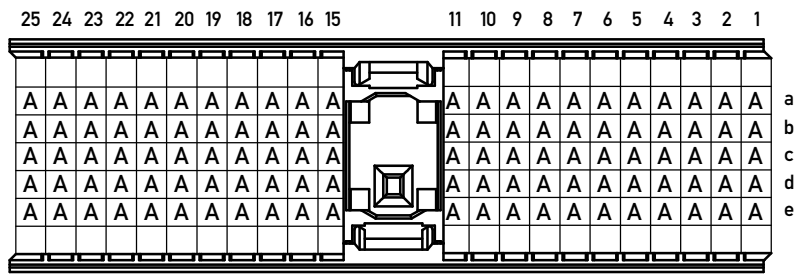




EN Zone für durchkontaktierte Löcher  $\phi 0,6 \pm 0,05$   
compliant zone for thru hole  $\phi 0,6 \pm 0,05$

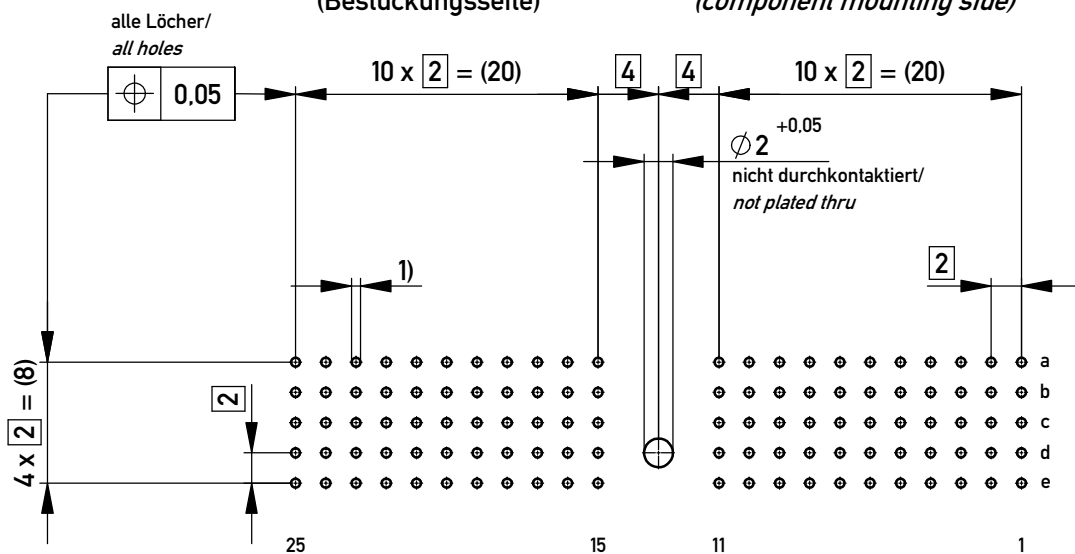


Bestückungsplan / contact layout



Lochbild für Leiterplatte (Bestückungsseite)

board hole pattern (component mounting side)



1)  $\phi 0,6 \pm 0,05$  Durchmesser des metallisierten Loches  
 $\phi 0,6 \pm 0,05$  Diameter of finished plated-through hole

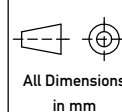
Schichtaufbau im metallisierten Loch  
siehe Zeichnung 164062 Nr.1  
Metal plating of plated-through hole  
according to 164062 No.1

Fehlende Maße und Angaben nach IEC 61076-4-101  
Missing information and dimensions per IEC 61076-4-101

Information:  
P2 Level 1  
siehe Bestückungsplan / see contact layout  
Anforderungsstufe 2 / class 2

All rights reserved.  
Only for Information.  
To ensure that this is the latest version of this drawing, please contact one of the ERNI companies before using.

Tolerances



Scale 2:1

Subject to modification without prior notice.  
Drawing will not be updated.

Designation

**ERmet Messerleiste A**  
**ERmet Male Wide Type A**

www.ERNI.com

**043190**

I  
A3

e 14.03.2018  
Index Date

Class ERMA

Copyright by ERNI Production GmbH & Co. KG  
Proprietary notice pursuant to ISO 16016 to be observed.

## Looking for pricing, stock, or lifecycle information?

Click below to explore more details on WIN SOURCE:

[View 043190 on WIN SOURCE](#)

[TE Connectivity Information](#)

## Optimize Your Supply Chain with WIN SOURCE Solutions

- ✓ Global Sourcing Solution
- ✓ Obsolete Management
- ✓ Cost Control Management
- ✓ Shortage Management
- ✓ Alternative Solution
- ✓ Excess Inventory Management