

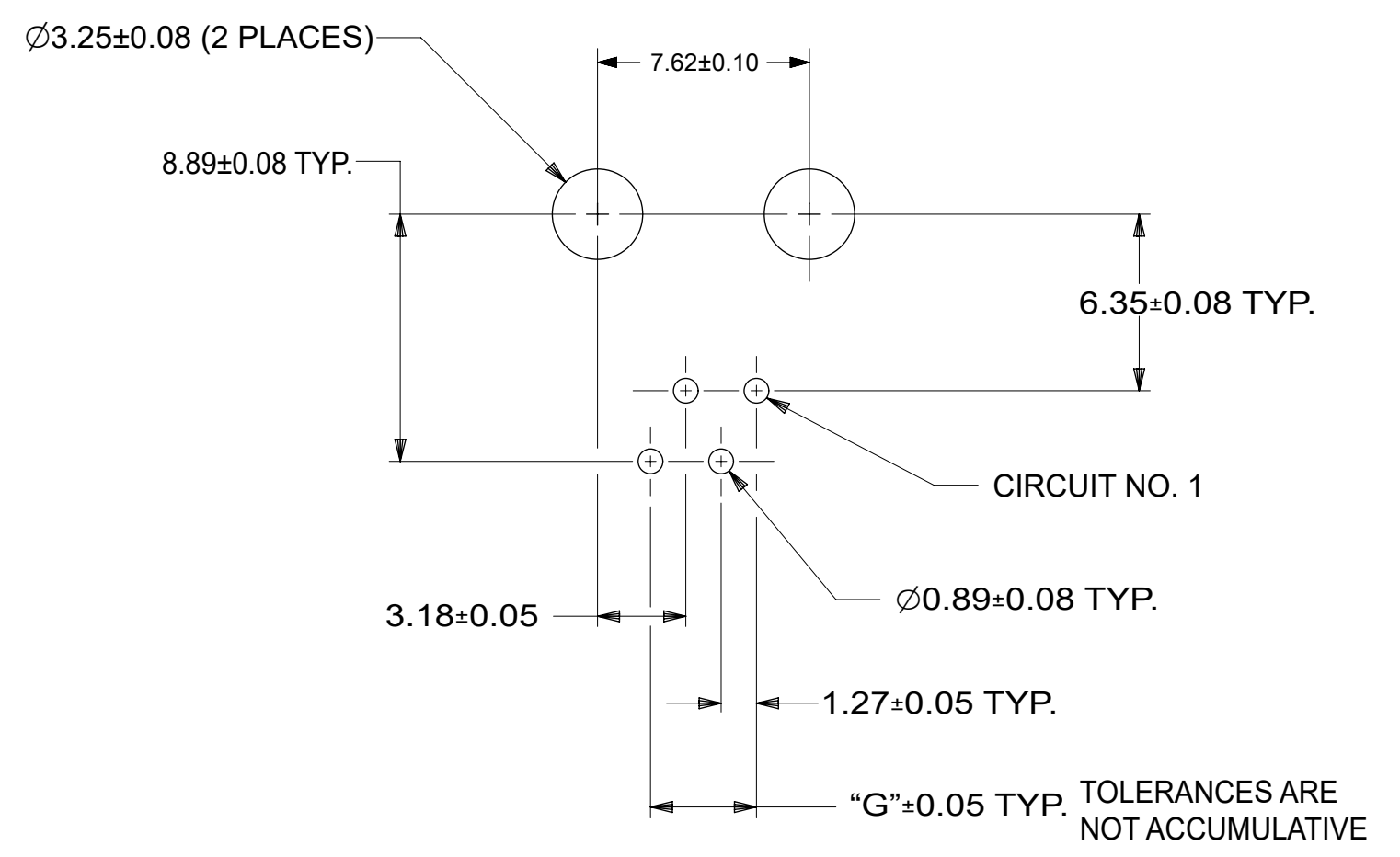
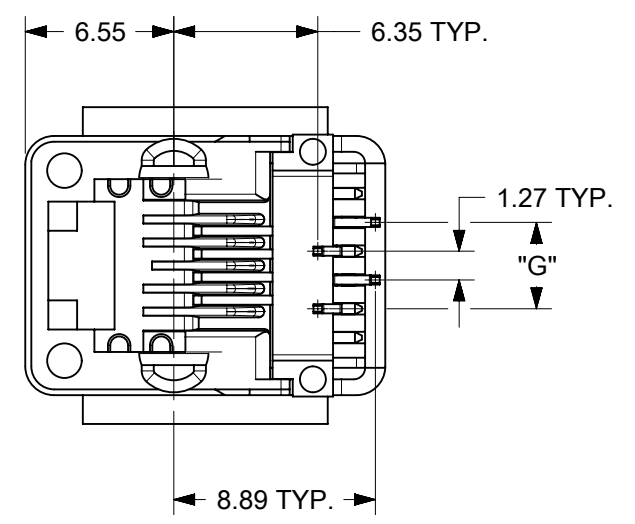
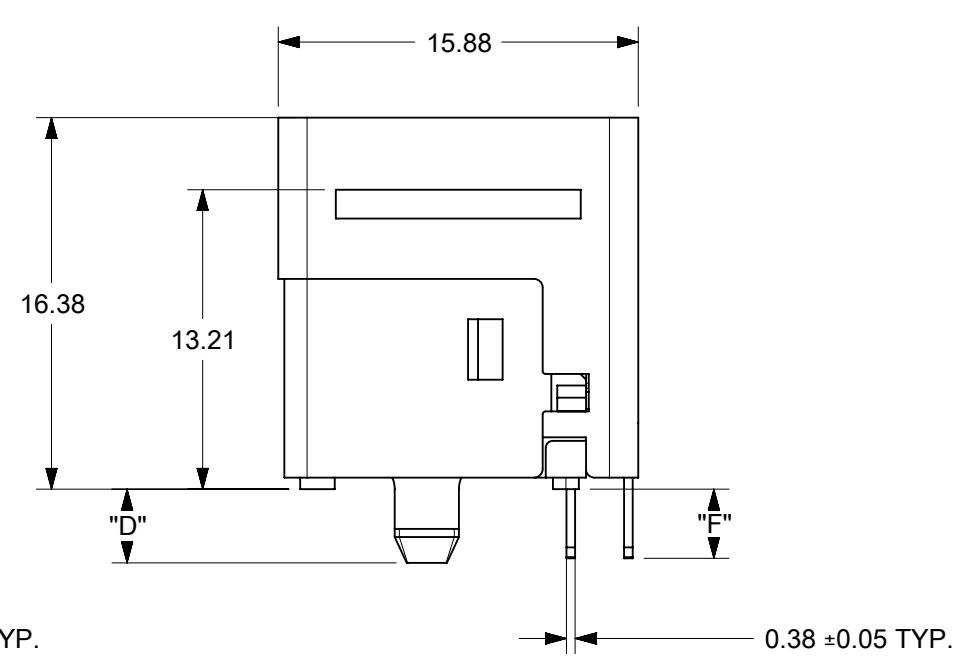
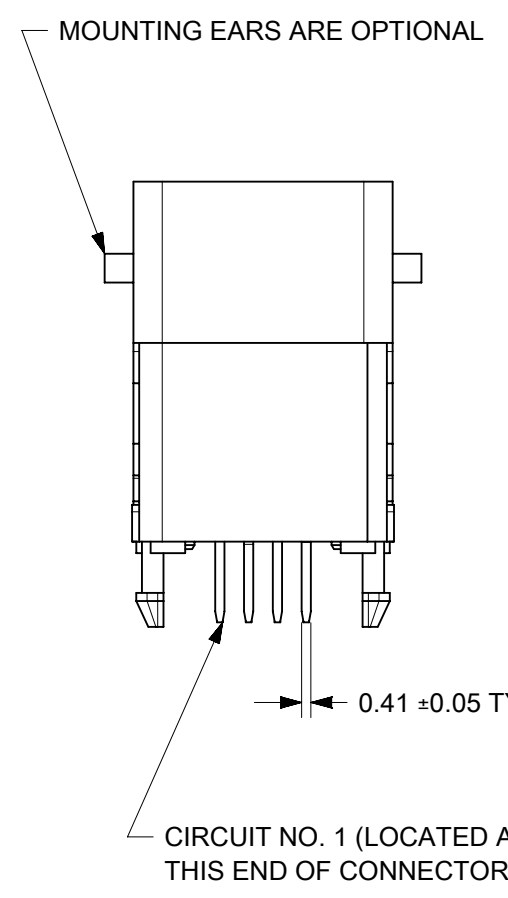
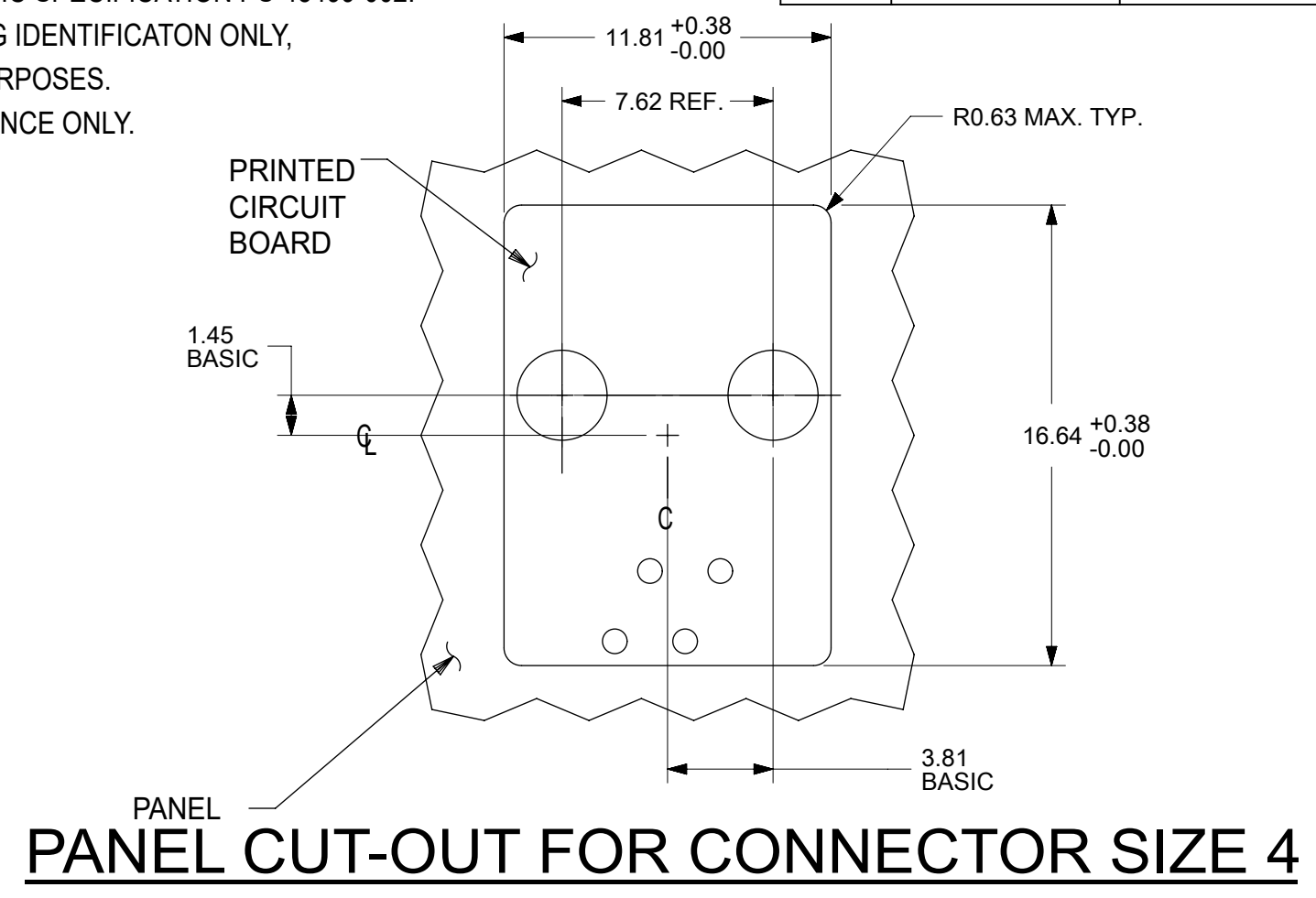
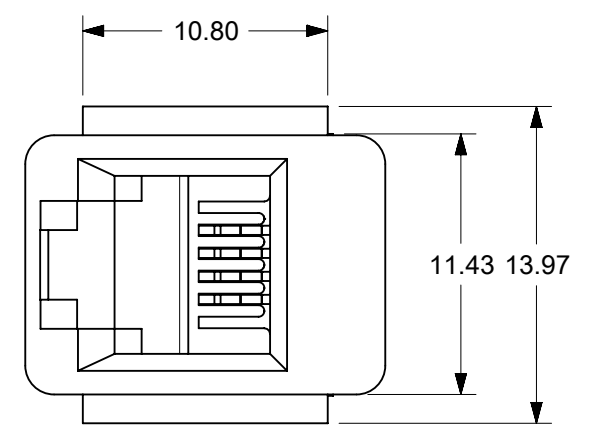


- NOTES:
- 1) MATERIALS: HOUSING PARTS ARE MADE OF POLYESTER, RATED U.L. 94 V-0, COLOR IS BLACK; TERMINALS ARE 0.38 mm THICK PHOSPHOR BRONZE.
  - 2) TERMINAL PLATING OPTIONS PER ES-88-\*\*\*:  
A - SELECT GOLD IN CONTACT AREA: 1.27 MICROMETERS MIN.,  
SELECT MATTE TIN IN PC TAIL AREA: 2.54 MICROMETERS MIN.,  
WITH OVERALL NICKEL UNDERPLATE: 1.27 MICROMETERS MIN.
  - 3) THESE MODULAR JACKS MEET THE PERFORMANCE REQUIREMENTS OF MOLEX PRODUCT SPECIFICATION PS-42410.
  - 4) CONNECTORS ARE TO BE PACKED IN THERMOFORMED TRAYS, PER PACKAGING SPECIFICATION PK-42410-492.
  - 5) ALL JACKS ARE DESIGNED TO BE USED WITH 1.57mm OR 3.18 mm THICK P.C. BOARDS.
  - 6) ALL JACKS CONFORM TO AND ACCEPT PLUGS WHICH CONFORM TO FCC RULES AND REGULATIONS PART 68, SUBPART F, WHEN PLATED WITH 1.27 MICROMETERS GOLD.
  - 7) ALL JACKS MUST BE CAPABLE OF FITTING INTO MOLEX GAGE G-42410 (CONNECTOR SIZE 4).
  - 8) SEE SHEETS 2 & 4 FOR CONNECTOR SIZE 6.
  - 9) SEE SHEETS 3 & 4 FOR CONNECTOR SIZE 8.
  - 10) SEE SHEET 4 FOR ASSEMBLY ITEM NUMBERS.
  - 11) PART CONFORMS TO CLASS "B" REQUIREMENTS OF COSMETIC SPECIFICATION PS-45499-002.
  - 12) ENGRAVED NUMBERS ON HOUSING BODY ARE FOR MOLDING IDENTIFICATION ONLY, THEY ARE NOT INTENDED FOR ASSEMBLY IDENTIFICATION PURPOSES.
  - 13) ALL UNTOLERANCED DIMENSIONS ARE SHOWN FOR REFERENCE ONLY.

P.C. BOARD THICKNESS	DIM. "D" (MTG PEGS)	DIM. "F" (P.C. TAILS)
1.57	3.25	3.05 +0.38/-0.63
3.18	4.85	5.21 +0.38/-0.63

CONNECTOR SIZE	CIRCUIT SIZE	DIM. "G"
4	4	3.81

SIZE 4 VERTICAL MODJACK ASSEMBLIES						
"X"= NOT TOOLED	ASSEMBLY ITEM NUMBER	PART CHARACTERISTICS				
		EXTERNAL CONNECTOR SIZE	NUMBER OF POSITIONS	P.C. BOARD THICKNESS	MOUNTING EARS OPTION	TERMINAL PLATING OPTION
	42410-4168	4 POS. BODY	4	1.57	YES	A
	42410-4170	4 POS. BODY	4	1.57	NO	A



**SIZE 4 MODULAR JACK LOADED WITH 4 TERMINALS SHOWN ABOVE**

(SEE SHEET 4 FOR PART NUMBER AVAILABILITY)

FUNCTIONAL SYMBOLS	THIS DRAWING CONTAINS INFORMATION THAT IS PROPRIETARY TO MOLEX ELECTRONIC TECHNOLOGIES, LLC AND SHOULD NOT BE USED WITHOUT WRITTEN PERMISSION		CURRENT REV DESC: MIGRATION.		
FA = 0	DIMENSION UNITS	SCALE	EC NO: 707240		
FC = 0	mm	3:1	DRWN: FAYEW 2022/05/19		
FP = 0	GENERAL TOLERANCES (UNLESS SPECIFIED)		CHK'D: KLANG 2022/05/31		
DIVISIONAL SYMBOLS	ANGULAR TOL ± 0.5°		APPR: KLANG 2022/05/31		PRODUCT CUSTOMER DRAWING
	4 PLACES ±		INITIAL REVISION:		DOCUMENT NUMBER
	3 PLACES ±		DRWN: FAYEW 2022/05/19		424108312
	2 PLACES ± 0.25		APPR: KLANG 2022/05/31		DOC TYPE
	1 PLACE ±		MATERIAL NUMBER		PSD
	0 PLACES ±		SERIES		000
DRAFT WHERE APPLICABLE MUST REMAIN WITHIN DIMENSIONS		THIRD ANGLE PROJECTION	DRAWING	C-SIZE	42410
			CUSTOMER	GENERAL MARKET	SHEET NUMBER
					1 OF 3

PREVIOUS DRAWING: SDA-42410-XXXX

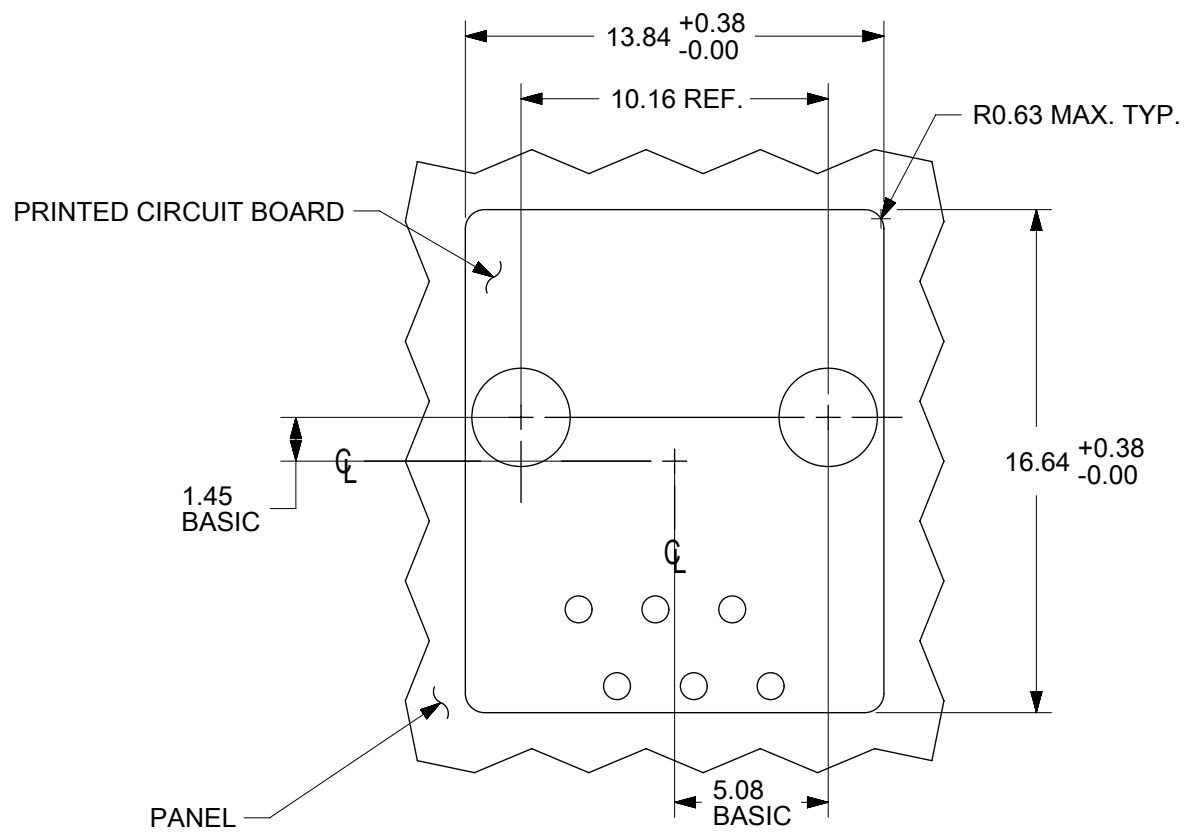
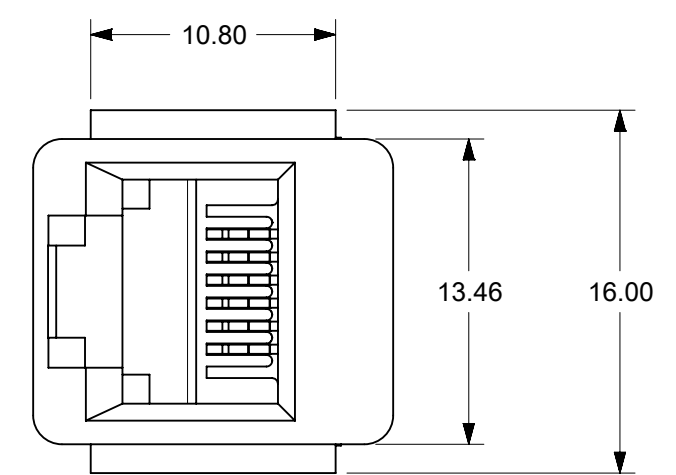
NOTES:

- 1) MATERIALS: HOUSING PARTS ARE MADE OF POLYESTER, RATED U.L. 94 V-0, COLOR IS BLACK; TERMINALS ARE 0.38mm THICK PHOSPHOR BRONZE.
- 2) TERMINAL PLATING OPTIONS PER ES-88-\*\*\*:
  - A - SELECT GOLD IN CONTACT AREA: 1.27 MICROMETERS MIN., SELECT MATTE TIN IN PC TAIL AREA: 2.54 MICROMETERS MIN., WITH OVERALL NICKEL UNDERPLATE: 1.27 MICROMETERS MIN.
  - B - SELECT GOLD IN CONTACT AREA: 0.38 MICROMETERS MIN., SELECT MATTE TIN IN PC TAIL AREA: 2.54 MICROMETERS MIN., WITH OVERALL NICKEL UNDERPLATE: 1.27 MICROMETERS MIN.
- 3) THESE MODULAR JACKS MEET THE PERFORMANCE REQUIREMENTS OF MOLEX PRODUCT SPECIFICATION PS-42410.
- 4) CONNECTORS ARE TO BE PACKED IN THERMOFORMED TRAYS, PER PACKAGING SPECIFICATION PK-42410-492.
- 5) ALL JACKS ARE DESIGNED TO BE USED WITH 1.57 mm OR 3.18 mm THICK P.C. BOARDS.
- 6) ALL JACKS CONFORM TO AND ACCEPT PLUGS WHICH CONFORM TO FCC RULES AND REGULATIONS PART 68, SUBPART F, WHEN PLATED WITH 1.27 MICROMETERS GOLD.
- 7) ALL JACKS MUST BE CAPABLE OF FITTING INTO MOLEX GAGE G-42410 (CONNECTOR SIZE 4).
- 8) SEE SHEETS 1 & 4 FOR CONNECTOR SIZE 4.
- 9) SEE SHEETS 3 & 4 FOR CONNECTOR SIZE 8.
- 10) SEE SHEET 4 FOR ASSEMBLY ITEM NUMBERS.
- 11) PART CONFORMS TO CLASS "B" REQUIREMENTS OF COSMETIC SPECIFICATION PS-45499-002.
- 12) ENGRAVED NUMBERS ON HOUSING BODY ARE FOR MOLDING IDENTIFICATION ONLY, THEY ARE NOT INTENDED FOR ASSEMBLY IDENTIFICATION PURPOSES.
- 13) ALL UNTOLERANCED DIMENSIONS ARE SHOWN FOR REFERENCE ONLY.

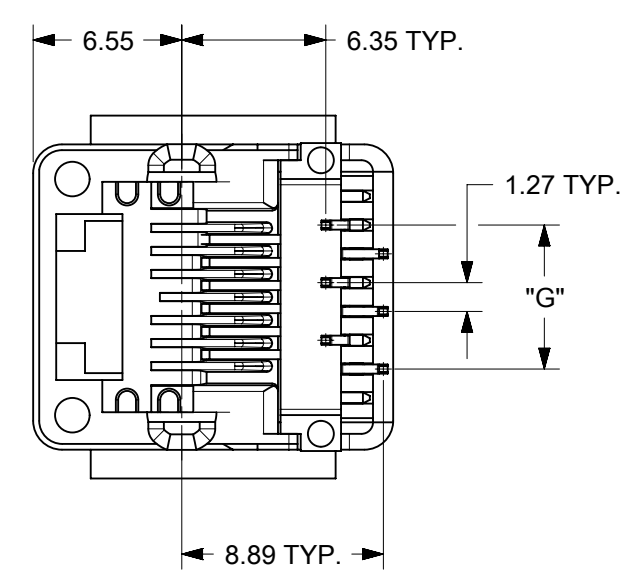
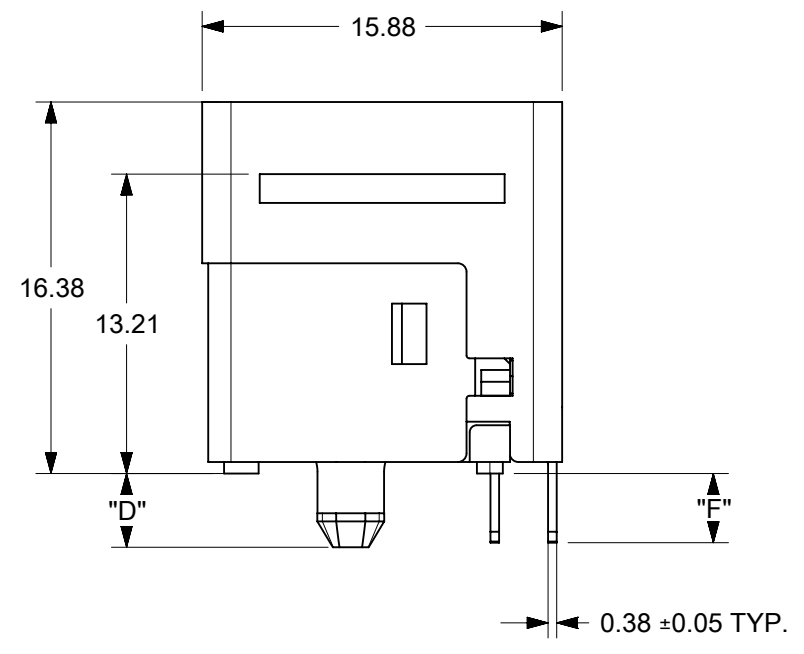
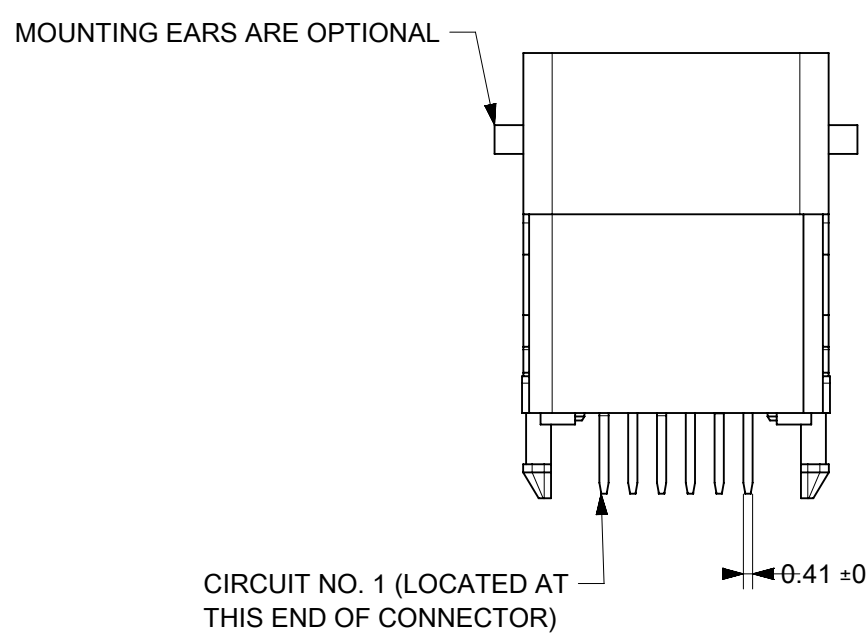
P.C. BOARD THICKNESS	DIM. "D" (MTG PEGS)	DIM. "F" (P.C. TAILS)
1.57	3.25	3.05 +0.38/-0.63
3.18	4.85	5.21 +0.38/-0.63

CONNECTOR SIZE	CIRCUIT SIZE	DIM. "G"
6	6	6.35
6	4	3.81
6	2	1.27

SIZE 6 VERTICAL MODJACK ASSEMBLIES						
"X"= NOT TOOLED	ASSEMBLY ITEM NUMBER	PART CHARACTERISTICS				
		EXTERNAL CONNECTOR SIZE	NUMBER OF POSITIONS	P.C. BOARD THICKNESS	MOUNTING EARS OPTION	TERMINAL PLATING OPTION
	42410-6168	6 POS. BODY	6	1.57	YES	A
	42410-6170	6 POS. BODY	6	1.57	NO	A
	42410-6314	6 POS. BODY	4	1.57	NO	A
	42410-6456	6 POS. BODY	2	1.57	YES	A

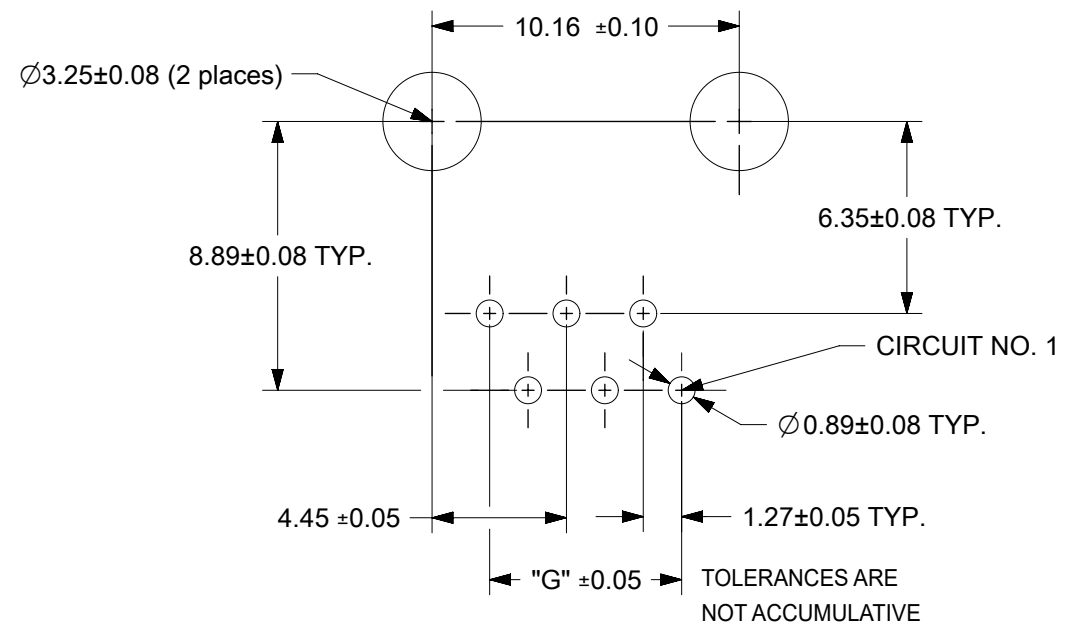


**PANEL CUT-OUT FOR CONNECTOR SIZE 6**



**SIZE 6 MODULAR JACK LOADED WITH 6 TERMINALS SHOWN ABOVE**

(SEE SHEET 4 FOR PART NUMBER AVAILABILITY)



**P.C. BOARD LAYOUT FOR CONNECTOR SIZE 6**

VIEWED FROM COMPONENT SIDE

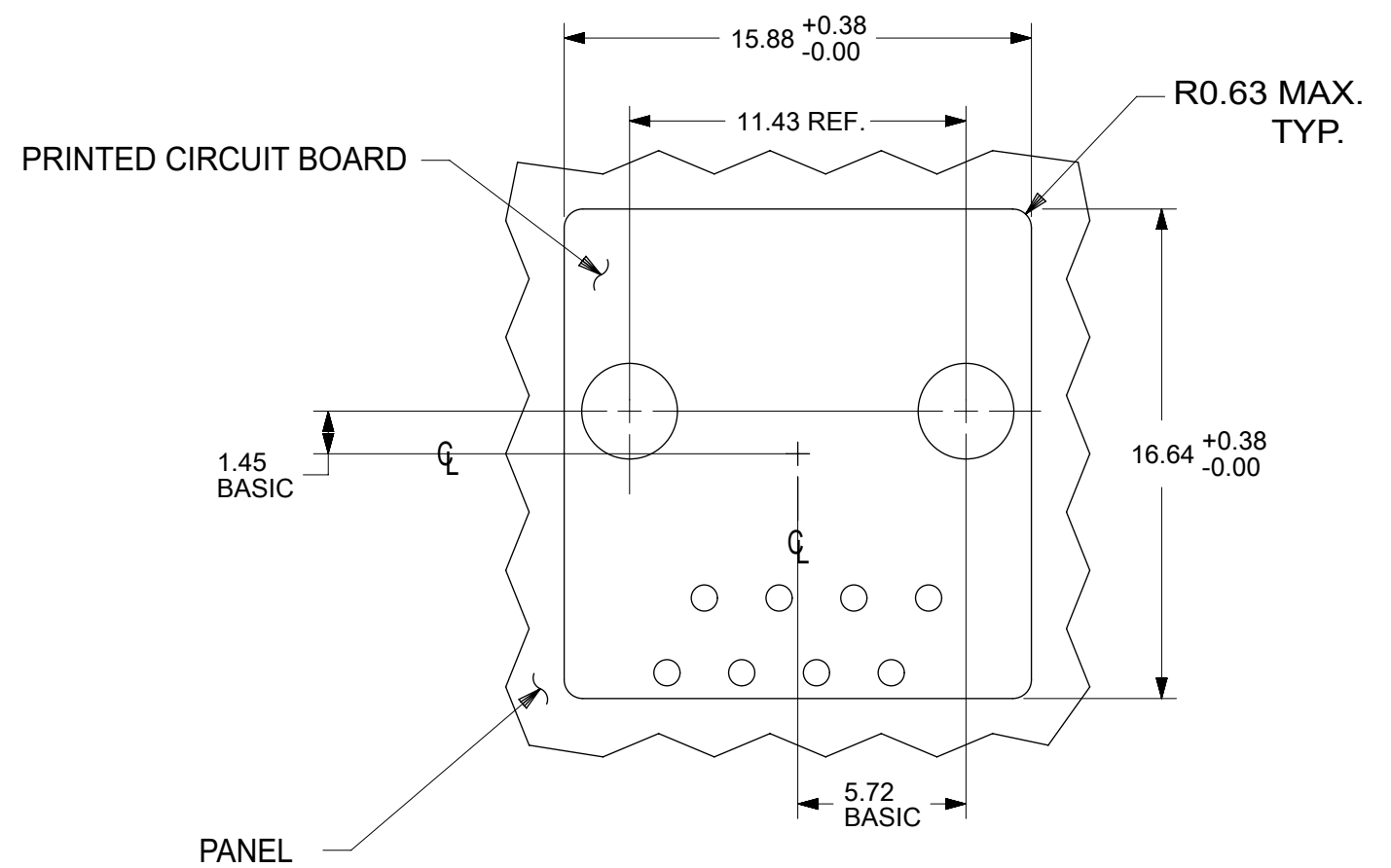
FUNCTIONAL SYMBOLS	THIS DRAWING CONTAINS INFORMATION THAT IS PROPRIETARY TO MOLEX ELECTRONIC TECHNOLOGIES, LLC AND SHOULD NOT BE USED WITHOUT WRITTEN PERMISSION		CURRENT REV DESC: MIGRATION.		
	$\frac{F}{A} = 0$ $\frac{F}{C} = 0$ $\frac{F}{P} = 0$	DIMENSION UNITS: <b>mm</b> SCALE: <b>3:1</b>	GENERAL TOLERANCES (UNLESS SPECIFIED) ANGULAR TOL ± 0.5°		
DIVISIONAL SYMBOLS	4 PLACES ± 3 PLACES ± 2 PLACES ± 0.25 1 PLACE ± 0 PLACES ±		INITIAL REVISION: DRWN: FAYEW 2022/05/19 APPR: KLANG 2022/05/31		ASSEMBLY; VERTICAL MODULAR JACKS  PRODUCT CUSTOMER DRAWING
	DRAFT WHERE APPLICABLE MUST REMAIN WITHIN DIMENSIONS		THIRD ANGLE PROJECTION	DRAWING: <b>C-SIZE</b> SERIES: <b>42410</b>	DOCUMENT NUMBER: <b>424108312</b> DOC TYPE: <b>PSD</b> DOC PART: <b>000</b> REVISION: <b>N4</b>
MATERIAL NUMBER: <b>SEE CHART</b> CUSTOMER: <b>GENERAL MARKET</b>		SHEET NUMBER: <b>2 OF 3</b>			

NOTES:

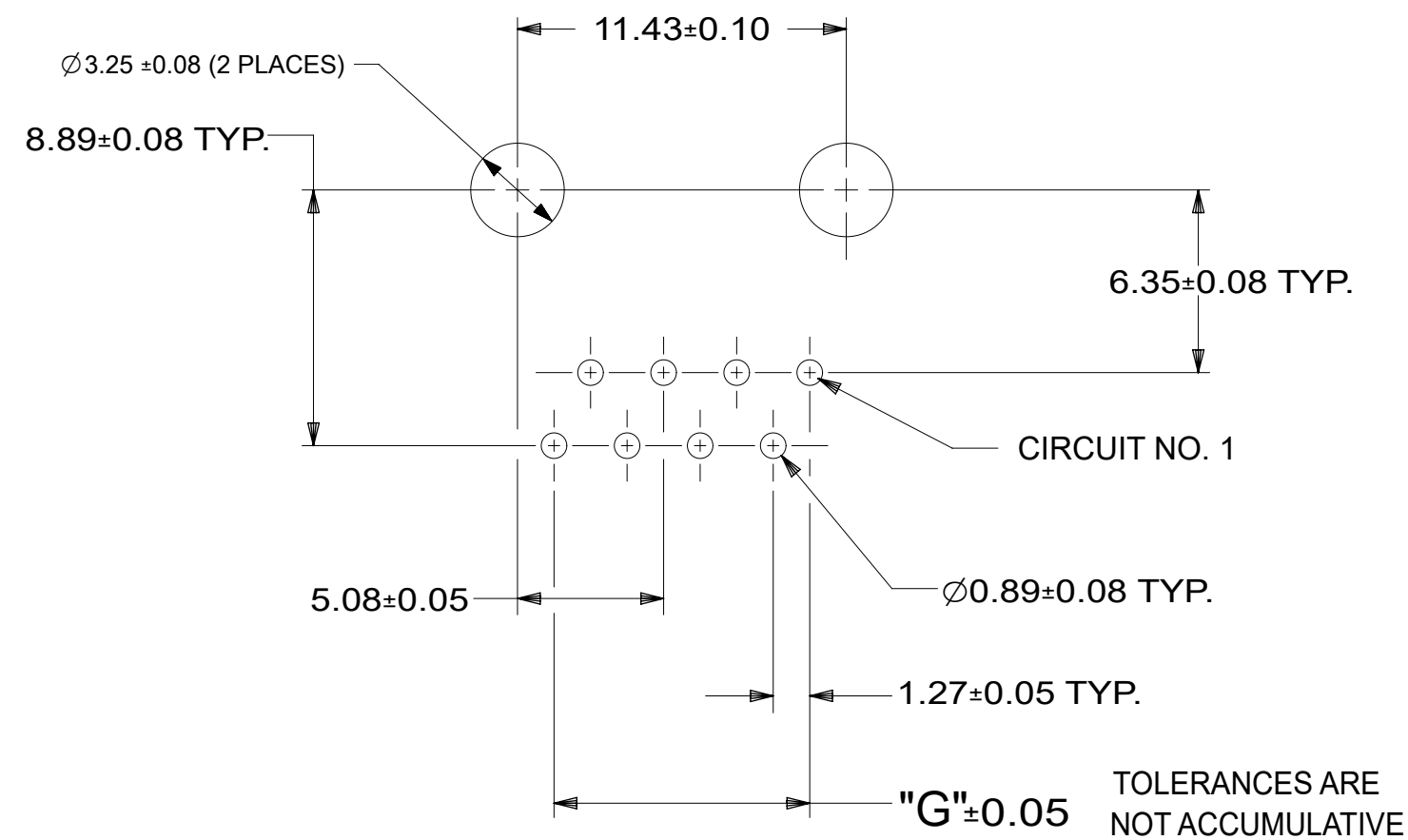
- 1) MATERIALS: HOUSING PARTS ARE MADE OF POLYESTER, RATED U.L. 94 V-0, COLOR IS BLACK; TERMINALS ARE 0.38 mm THICK PHOSPHOR BRONZE.
- 2) TERMINAL PLATING OPTIONS PER ES-88-\*\*\*:  
A - SELECT GOLD IN CONTACT AREA: 1.27 MICROMETERS MIN.,  
SELECT MATTE TIN IN PC TAIL AREA: 2.54 MICROMETERS MIN.,  
WITH OVERALL NICKEL UNDERPLATE: 1.27 MICROMETERS MIN.
- 3) THESE MODULAR JACKS MEET THE PERFORMANCE REQUIREMENTS OF MOLEX PRODUCT SPECIFICATION PS-42410.
- 4) CONNECTORS ARE TO BE PACKED IN THERMOFORMED TRAYS, PER PACKAGING SPECIFICATION PK-42410-492.
- 5) ALL JACKS ARE DESIGNED TO BE USED WITH 1.57 mm OR 3.18 mm THICK P.C. BOARDS.
- 6) ALL JACKS CONFORM TO AND ACCEPT PLUGS WHICH CONFORM TO FCC RULES AND REGULATIONS PART 68, SUBPART F, WHEN PLATED WITH 50 MICROINCHES GOLD.
- 7) ALL JACKS MUST BE CAPABLE OF FITTING INTO MOLEX GAGE G-42410 (CONNECTOR SIZE 4).
- 8) SEE SHEETS 1 & 4 FOR CONNECTOR SIZE 4.
- 9) SEE SHEETS 2 & 4 FOR CONNECTOR SIZE 6.
- 10) SEE SHEET 4 FOR ASSEMBLY ITEM NUMBERS.
- 11) PART CONFORMS TO CLASS "B" REQUIREMENTS OF COSMETIC SPECIFICATION PS-45499-002.
- 12) ENGRAVED NUMBERS ON HOUSING BODY ARE FOR MOLDING IDENTIFICATION ONLY, THEY ARE NOT INTENDED FOR ASSEMBLY IDENTIFICATION PURPOSES.
- 13) ALL UNTOLERANCED DIMENSIONS ARE SHOWN FOR REFERENCE ONLY.

P.C. BOARD THICKNESS	DIM. "D" (MTG. PEGS)	DIM. "F" (P.C. TAILS)
1.57	3.25	3.05 +0.38/-0.63
3.18	4.85	5.21 +0.38/-0.63

SIZE 8 VERTICAL MODJACK ASSEMBLIES							
"X"=NOT TOOLED	ASSEMBLY ITEM NUMBER	PART CHARACTERISTICS					
		EXTERNAL CONNECTOR SIZE	NUMBER OF POSITIONS	P.C. BOARD THICKNESS	KEYING OPTION	MOUNTING EARS OPTION	TERMINAL PLATING OPTION
	42410-8312	8 POS. BODY	8	1.57	NO	YES	A
	42410-8314	8 POS. BODY	8	1.57	NO	NO	A

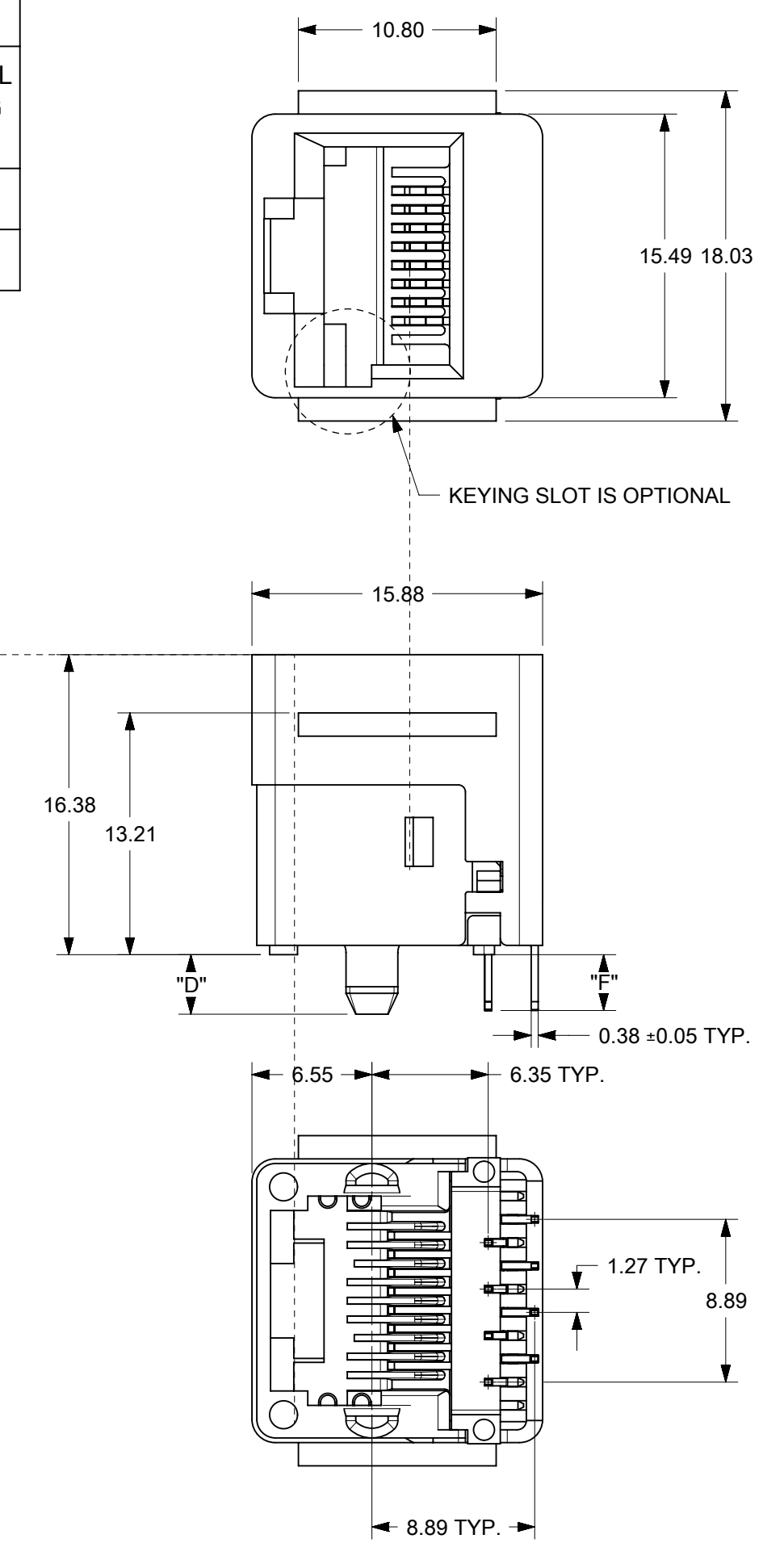
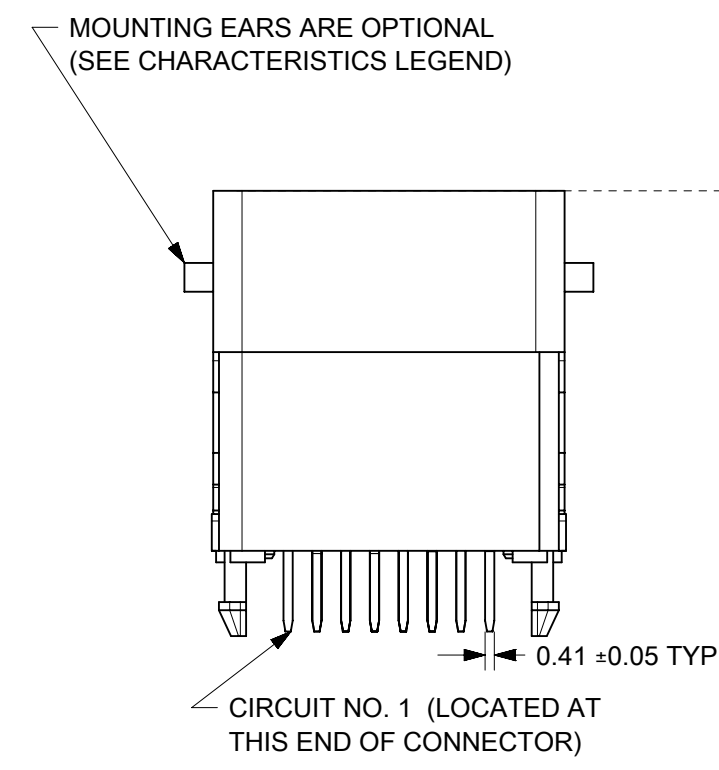


**PANEL CUT-OUT FOR CONNECTOR SIZE 8**



**P.C. BOARD LAYOUT FOR CONNECTOR SIZE 8**

VIEWED FROM COMPONENT SIDE



**SIZE 8 MODULAR JACK LOADED WITH 8 TERMINALS SHOWN ABOVE**  
(SEE SHEET 4 FOR PART NUMBER AVAILABILITY)

FUNCTIONAL SYMBOLS FA = 0 FC = 0 FP = 0	THIS DRAWING CONTAINS INFORMATION THAT IS PROPRIETARY TO MOLEX ELECTRONIC TECHNOLOGIES, LLC AND SHOULD NOT BE USED WITHOUT WRITTEN PERMISSION		CURRENT REV DESC: MIGRATION.			
	DIMENSION UNITS	SCALE	EC NO: 707240			
	mm	3:1	DRWN: FAYEW 2022/05/19			
	GENERAL TOLERANCES (UNLESS SPECIFIED)		CHK'D: KLANG 2022/05/31		ASSEMBLY; VERTICAL MODULAR JACKS	
ANGULAR TOL ± 0.5°		APPR: KLANG 2022/05/31				
DIVISIONAL SYMBOLS	4 PLACES	±	INITIAL REVISION:		PRODUCT CUSTOMER DRAWING	
	3 PLACES	±	DRWN: FAYEW 2022/05/19			
	2 PLACES	±	APPR: KLANG 2022/05/31			
	1 PLACE	±	DRWN: FAYEW 2022/05/19			
0 PLACES	±	APPR: KLANG 2022/05/31		DOCUMENT NUMBER		
DRAFT WHERE APPLICABLE MUST REMAIN WITHIN DIMENSIONS		THIRD ANGLE PROJECTION	DRAWING	SERIES	MATERIAL NUMBER	CUSTOMER
			C-SIZE	42410	424108312	GENERAL MARKET
					DOC TYPE	DOC PART
					PSD	000
						N4
					SHEET NUMBER	
					3 OF 3	

## Looking for pricing, stock, or lifecycle information?

Click below to explore more details on WIN SOURCE:

 [View 0424106170 on WIN SOURCE](#)

 [Molex, LLC Information](#)

## Optimize Your Supply Chain with WIN SOURCE Solutions

-  Global Sourcing Solution
-  Obsolete Management
-  Cost Control Management
-  Shortage Management
-  Alternative Solution
-  Excess Inventory Management