



THE DATASHEET OF
0398800306





Part Number : [398800306](#)

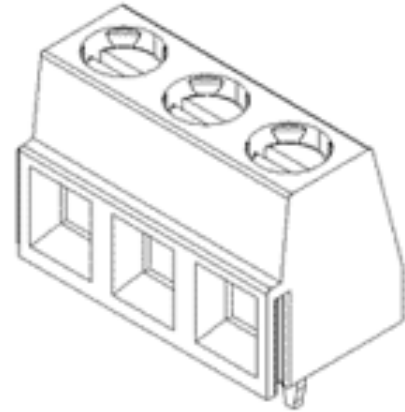
Product Description : 5.08mm Pitch Beau Eurostyle Low Profile, Fixed Block, Modular, 6 Circuits

Series Number : 39880

Status : Active

Product Category : Terminal Blocks and Barrier Strip

Engineering Number : MX-MSB06005-0N



Documents & Resources

Drawings


[398800306_sd.pdf](#)

3D Models and Design Files

[398800306_stp.zip](#)

Product Environment Compliance

Compliance

GADSL/IMDS	Not Relevant
China RoHS	
EU ELV	Not Relevant
Low-Halogen Status	Low-Halogen per IEC 61249-2-21
REACH SVHC	Contains Lead per D(2023)8585-DC (23 Jan 2024)
EU RoHS	Compliant with Exemption 6(c) per EU 2015/863

Multiple Part Product Compliance Statements

- Eu RoHS
- REACH SVHC
- Low-Halogen

Multiple Part Industry Compliance Documents

- IPC 1752A Class C
- IPC 1752A Class D

- Molex Product Compliance Declaration
- IEC-62474
- chemSHERPA (xml)

EU RoHS Certificate of Compliance

Part Details

General

Status	Active
Category	Terminal Blocks and Barrier Strip
Series	39880
Description	5.08mm Pitch Beau Eurostyle Low Profile, Fixed Block, Modular, 6 Circuits
Application	Wire-to-Board
Component Type	One Piece
Product Name	Eurostyle Fixed Mount
Type	PCB Terminal Blocks and Connectors
UPC	800756363042

Agency

UL	E48521
----	--------

Electrical

Current - Maximum per Contact	13.5A
Voltage - Maximum	300V



Physical

Circuits (Loaded)	6
Circuits (maximum)	6
Color - Resin	Black
Entry Angle	Horizontal
Flammability	94V-0
Lock to Mating Part	None
Net Weight	5.340/g
Number of Rows	1

Orientation	Vertical
Panel Mount	No
PC Tail Length	3.50mm
PCB Retention	None
PCB Thickness - Recommended	2.40mm
Pitch - Mating Interface	5.08mm
Pitch - Termination Interface	5.08mm
Polarized to Mating Part	N/A
Shrouded	Fully
Stackable	Yes
Temperature Range - Operating	105°C
Wire Size (AWG)	16, 18, 20, 22, 24, 26, 28, 30
Wire Size mm ²	0.20-1.50

Looking for pricing, stock, or lifecycle information?

Click below to explore more details on WIN SOURCE:

-  [View 0398800306 on WIN SOURCE](#)
-  [Molex, LLC Information](#)

Optimize Your Supply Chain with WIN SOURCE Solutions

-  Global Sourcing Solution
-  Obsolete Management
-  Cost Control Management
-  Shortage Management
-  Alternative Solution
-  Excess Inventory Management