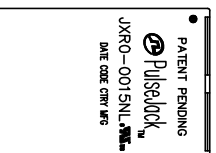




**THE DATASHEET OF  
JXR0-0015NLT**



STIC MATERIAL WITH FLAMMABILITY  
 -INCH GOLD PLATING.  
 OSPHOR BRONZE  
 IICKEL



INCHES 100% TIN, MATTE FINISH.  
 ON COPPER ALLOY.

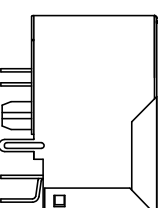
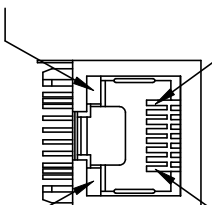
PIN 1  
 PIN 8

C RULES AND REGULATIONS PART 68 SUBPART F.

TO +125°C

ILITY AT 245°C DIP AND LOOK TEST  
 O MOISTURE SENSITIVE  
 TEMPERATURE 245°C MAX/8 SECONDS

GREEN LED  
 YELLOW LED

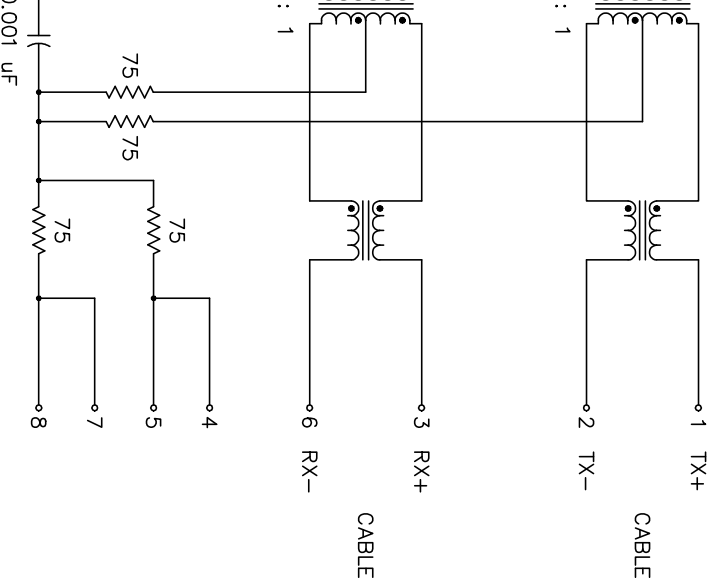


FINAL OUTLINE

onics Corp. All rights reserved. Pulse confidential & proprietary. (07/25/18)

TLA DRAWING	PS DRAWING	SHEET	PART NO.	DATASHEET REV.
JXR0-0015NL-11	PS-2160.001-C	1 OF 4	JXR0-0015NL	A

ELECTRICAL CHARACTERISTICS AT +25°C UNLESS OTHERWISE SPECIFIED  
(FOR REFERENCE ONLY. USED FOR CUSTOMER INFORMATION.)



PARAMETER	SPECIFICATIONS		
OPERATING TEMP	-40°C TO +85°C		
TURN'S RATIO	1.00 ± 2%		
POLARITY	PER SCHEMATIC		
INSERTION LOSS	100 KHZ	1-125 MHz	
	-1.2 dB MAX	-0.2-0.002*f <sup>1.4</sup> dB MAX	
RETURN LOSS (Z OUT = 100 OHM±15%)	.1-30 MHz	30-60 MHz	60-80 MHz
	-16 dB MIN	-10+20*LOG <sub>10</sub> (f/60 MHz) dB MIN	-10 dB MIN
	INDUCTANCE (OCL) (MEDIA SIDE, -40°C-85°C)		
CROSSTALK, ADJACENT CHANNELS	1 MHz	10-100 MHz	
	-50 dB MIN	-50+17*LOG <sub>10</sub> (f/10) dB MIN	
COMMON MODE REJECTION RATIO	2 MHz	30-200 MHz	
	-50 dB MIN	-15+20*LOG <sub>10</sub> (f/200) dB MIN	
DC RESISTANCE 1/2 WINDING	.60 OHMS MAX		
DC RESISTANCE IMBALANCE	±.065 OHMS MAX (CENTER TAP SYMMETRY)		
INPUT - OUTPUT ISOLATION	1500 VRMS MIN @ 60 SECONDS		

NOTE: f IS FREQUENCY IN MHZ.

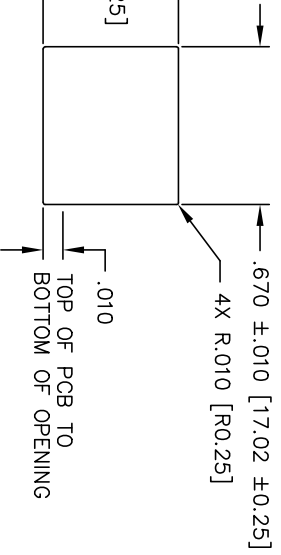
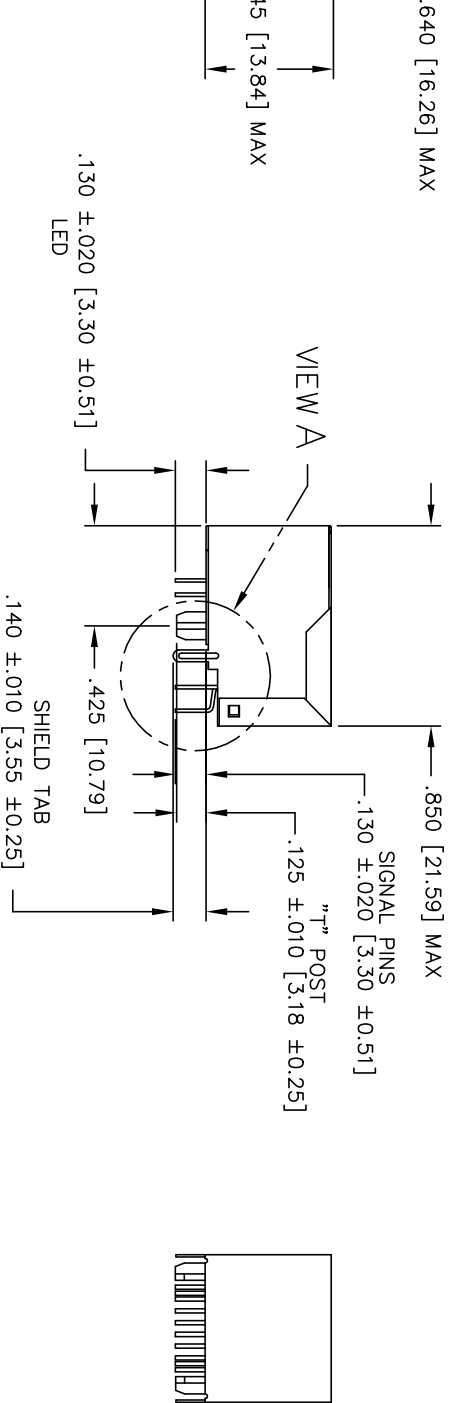
EMMITTED COLOR	GREEN	YELLOW
WAVELENGTH (nm)	565 nm	590 nm
BRIGHTNESS (mcd)	1.8 TO 6 TYP. @ 10mA	1.8 TO 4 TYP. @ 10 mA
VIEWING ANGLE	110°	110°
POWER DISSIPATION (Pd)	105 mW MAX	105 mW MAX
PEAK FORWARD CURRENT (10 us PULSE)	140 mA MAX	140 mA MAX
FORWARD VOLTAGE (Vf)	2.2 TO 2.5 V	2.15 V TYP

SCHEMATIC

NOTE: PER VENDOR'S SPECIFICATIONS

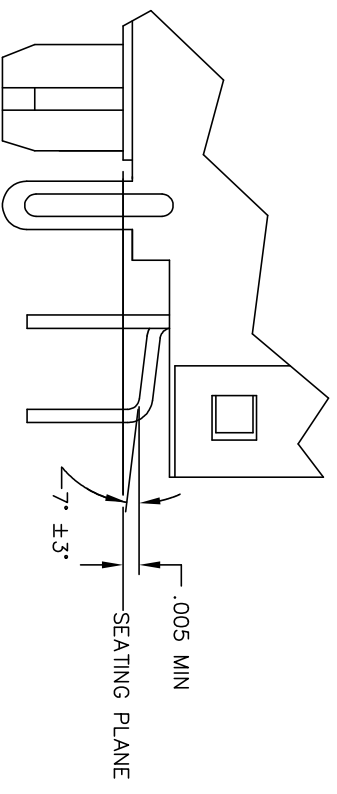
Pulse Electronics Corp. All rights reserved. Pulse confidential & proprietary. (07/25/18)

TLA DRAWING	PS DRAWING	SHEET	PART NO.	DATASHEET REV.
JXR0-0015NL-11	PS-2160.001-C	2 OF 4	JXR0-0015NL	A



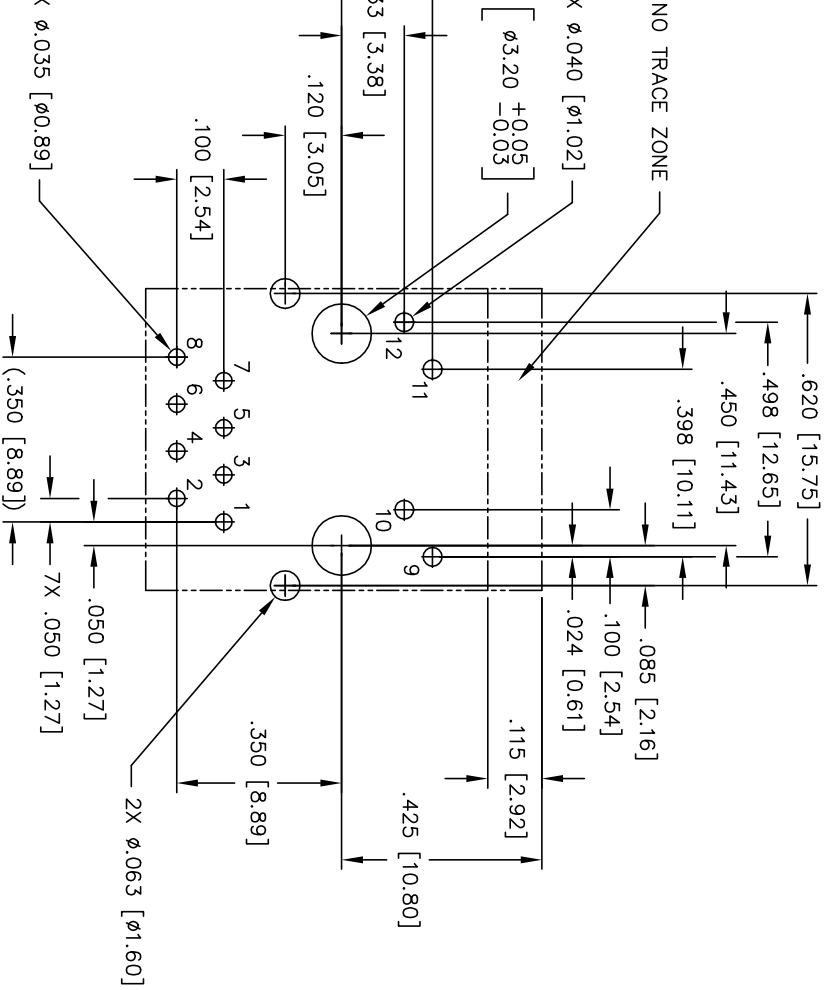
RECOMMENDED PANEL CUTOUT

DIMETERS] WITH THE FOLLOWING  
ARE FOR REFERENCE ONLY.



electronics Corp. All rights reserved. Pulse confidential & proprietary. (07/25/18)

TLA DRAWING	PS DRAWING	SHEET	PART NO.	DATASHEET REV.
JXR0-0015NL-11	PS-2160.001-C	3 OF 4	JXR0-0015NL	A



SUGGESTED PCB BOARD LAYOUT VIEWED FROM COMPONENT SIDE

DIMETERS] WITH THE FOLLOWING  
RE FOR REFERENCE ONLY.

electronics Corp. All rights reserved. Pulse confidential & proprietary. (07/25/18)

TLA DRAWING	PS DRAWING	SHEET	PART NO.	DATASHEET REV.
JXRO-0015NL-11	PS-2160.001-C	4 OF 4	JXRO-0015NL	A

## Looking for pricing, stock, or lifecycle information?

Click below to explore more details on WIN SOURCE:

 [View JXR0-0015NLT on WIN SOURCE](#)

 [Pulse Information](#)

## Optimize Your Supply Chain with WIN SOURCE Solutions

-  Global Sourcing Solution
-  Obsolete Management
-  Cost Control Management
-  Shortage Management
-  Alternative Solution
-  Excess Inventory Management