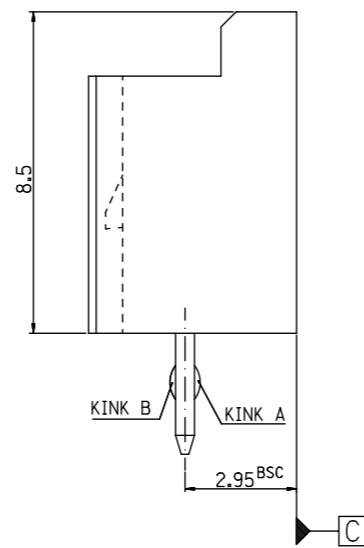
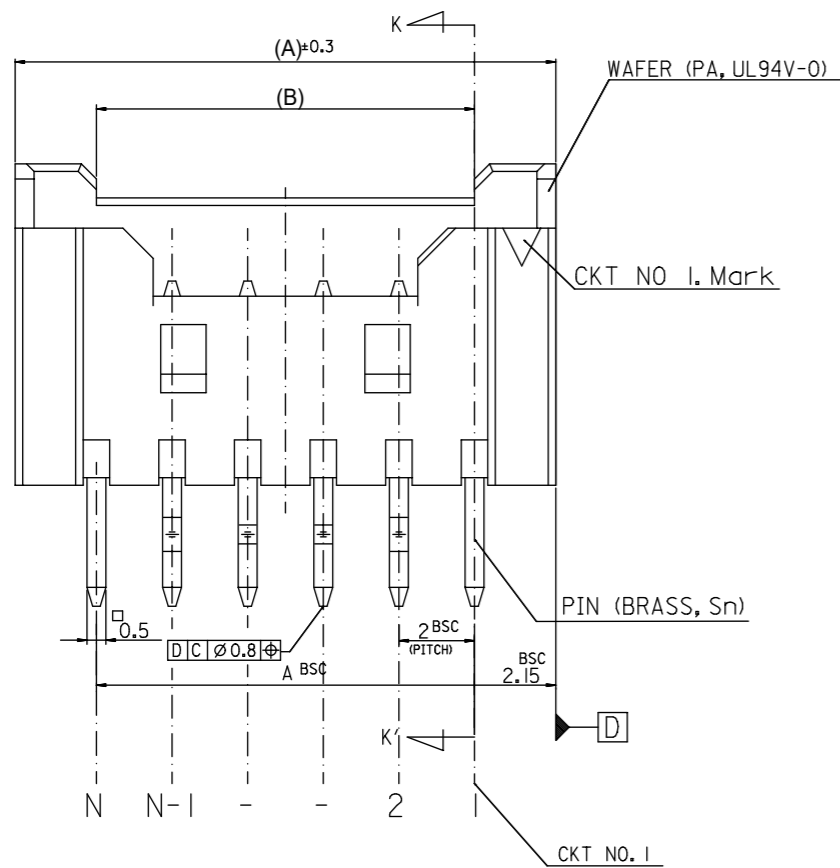
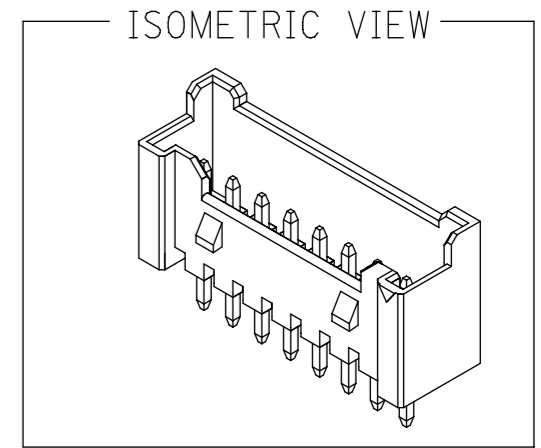
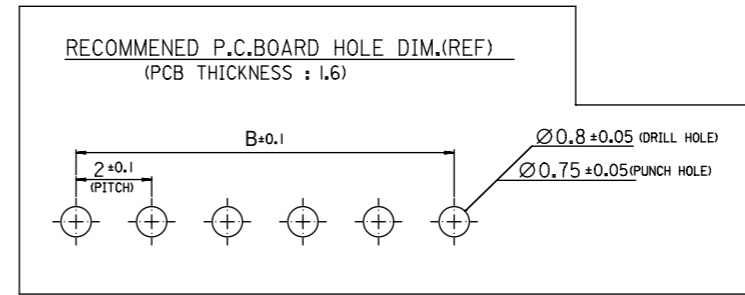


SECTION K-K'



**LEGEND**

SD-35362-\*\*\*\*  
 CKT NO. \_\_\_\_\_ COLOR \_\_\_\_\_

FINAL GOOD (BULK) — 5 : SELECTIVE KINK (LEAD FREE)  
 — 6 : NONE KINK (LEAD FREE)

SUB ASSY (TUBE) — 7 : SELECTIVE KINK (LEAD FREE)  
 — 8 : NONE KINK (LEAD FREE)

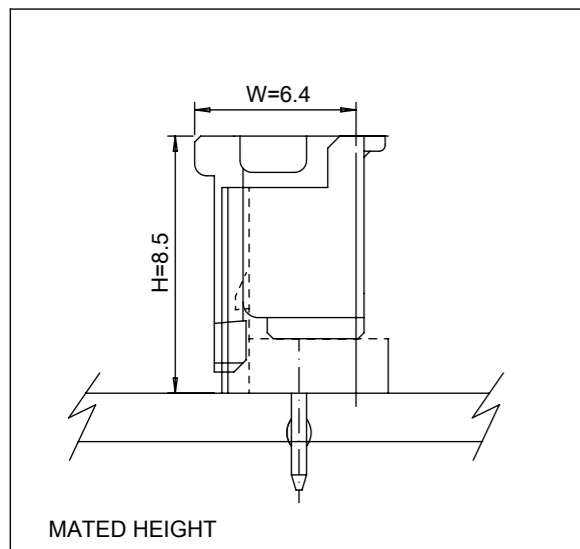
0 : NATURAL  
 1 : BLACK  
 2 : RED  
 3 : YELLOW  
 4 : BLUE  
 5 : GREEN  
 6 : TUBE PACKING (NaturalColor)  
 7 : TUBE PACKING (Red Color)  
 8 : TUBE PACKING (Blue Color)

**NOTES**

- MATERIAL : UNFILLED POLYAMIDE, UL94V-0  
PIN : BRASS
- FINISHES : PIN - Tin(Sn) 1.0~3.0µm OVERALL  
Cu 1.5~3.75µm OVERALL
- PRODUCT SPECIFICATION : PS-35507-003
- MATING HOUSING : 35507-\*\*0\*  
MATING TERMINAL : 50212-8000
- KINK

CKT NO / CKT	1	2	3	4	5	N-2	N-1	N
6 CKT OVER	—	A	B	—	—	B	A	—
5 CKT	A	B	—	B	A			
4 CKT	A	B	B	A				

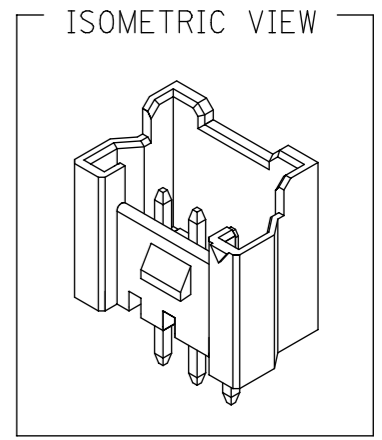
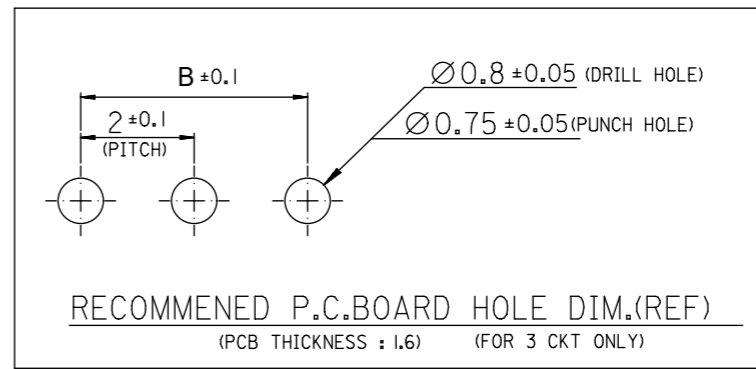
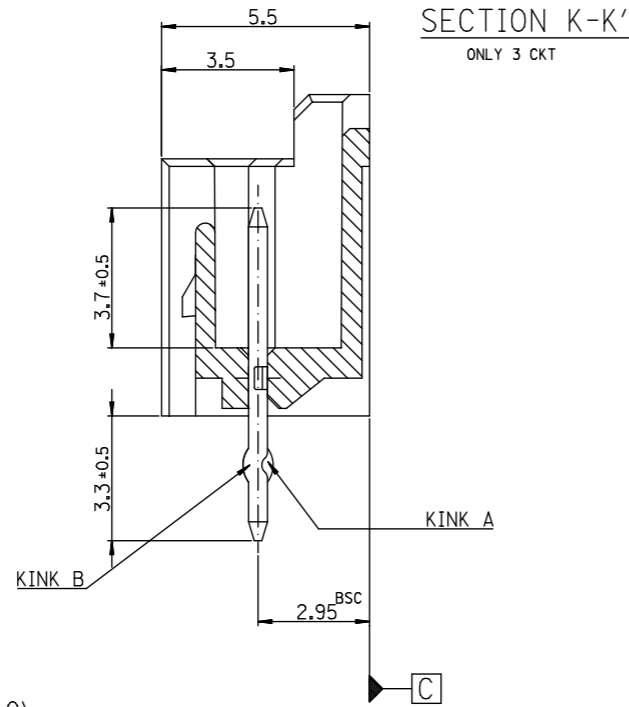
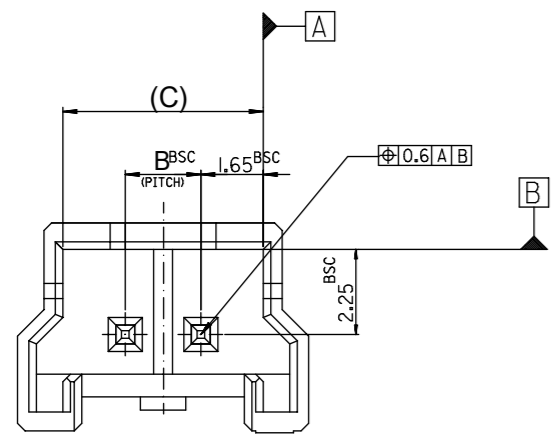
31.3	28	32.3	3536215**	35362-15**	15
29.3	26	30.3	3536214**	35362-14**	14
27.3	24	28.3	3536213**	35362-13**	13
25.3	22	26.3	3536212**	35362-12**	12
23.3	20	24.3	3536211**	35362-11**	11
21.3	18	22.3	3536210**	35362-10**	10
19.3	16	20.3	3536209**	35362-09**	9
17.3	14	18.3	3536208**	35362-08**	8
15.3	12	16.3	3536207**	35362-07**	7
13.3	10	14.3	3536206**	35362-06**	6
11.3	8	12.3	3536205**	35362-05**	5
9.3	6	10.3	3536204**	35362-04**	4
(C)	B	(A)	ENG. NO.	ENG. NO.	CKT



LEAD FREE	FUNCTIONAL SYMBOLS	THIS DRAWING CONTAINS INFORMATION THAT IS PROPRIETARY TO MOLEX ELECTRONIC TECHNOLOGIES, LLC AND SHOULD NOT BE USED WITHOUT WRITTEN PERMISSION	CURRENT REV DESC:																																										
	<table border="1"> <tr><td>30 over</td><td>±0.3</td></tr> <tr><td>10 over 30 under</td><td>±0.25</td></tr> <tr><td>10 under</td><td>±0.2</td></tr> <tr><td>ANGLE</td><td>±3°</td></tr> </table>	30 over	±0.3	10 over 30 under	±0.25	10 under	±0.2	ANGLE	±3°	<table border="1"> <tr><td>mm</td><td>SCALE 5:1</td></tr> <tr><td colspan="2">GENERAL TOLERANCES (UNLESS SPECIFIED)</td></tr> <tr><td>4 PLACES</td><td>±</td></tr> <tr><td>3 PLACES</td><td>±</td></tr> <tr><td>2 PLACES</td><td>±</td></tr> <tr><td>1 PLACE</td><td>±</td></tr> <tr><td>0 PLACES</td><td>±</td></tr> </table>	mm	SCALE 5:1	GENERAL TOLERANCES (UNLESS SPECIFIED)		4 PLACES	±	3 PLACES	±	2 PLACES	±	1 PLACE	±	0 PLACES	±	<table border="1"> <tr><td>EC NO:</td><td>636378</td></tr> <tr><td>DRWN:</td><td>SCHONG03</td></tr> <tr><td>CHK'D:</td><td>JBJIN</td></tr> <tr><td>APPR:</td><td>YSKIM02</td></tr> <tr><td>INITIAL REVISION:</td><td></td></tr> <tr><td>DRWN:</td><td>DYJANG</td></tr> <tr><td>APPR:</td><td>CHANGWOOLEE</td></tr> </table>	EC NO:	636378	DRWN:	SCHONG03	CHK'D:	JBJIN	APPR:	YSKIM02	INITIAL REVISION:		DRWN:	DYJANG	APPR:	CHANGWOOLEE	<table border="1"> <tr><td>2020/04/21</td><td>2020/04/23</td></tr> <tr><td>2020/04/23</td><td>2020/04/23</td></tr> <tr><td>2004/09/01</td><td>2004/09/02</td></tr> </table>	2020/04/21	2020/04/23	2020/04/23	2020/04/23	2004/09/01
30 over	±0.3																																												
10 over 30 under	±0.25																																												
10 under	±0.2																																												
ANGLE	±3°																																												
mm	SCALE 5:1																																												
GENERAL TOLERANCES (UNLESS SPECIFIED)																																													
4 PLACES	±																																												
3 PLACES	±																																												
2 PLACES	±																																												
1 PLACE	±																																												
0 PLACES	±																																												
EC NO:	636378																																												
DRWN:	SCHONG03																																												
CHK'D:	JBJIN																																												
APPR:	YSKIM02																																												
INITIAL REVISION:																																													
DRWN:	DYJANG																																												
APPR:	CHANGWOOLEE																																												
2020/04/21	2020/04/23																																												
2020/04/23	2020/04/23																																												
2004/09/01	2004/09/02																																												
GENERAL TOLERANCE	DRAFT WHERE APPLICABLE MUST REMAIN WITHIN DIMENSIONS	THIRD ANGLE PROJECTION	DRAWING A3-SIZE	SERIES 35362																																									

<b>molex</b>		2.0 WB WAFER ASSY -LEAD FREE-	
PRODUCT CUSTOMER DRAWING			
DOCUMENT NUMBER	DOC TYPE	DOC PART	REVISION
SD-35362-002	PSD	001	F3
MATERIAL NUMBER	CUSTOMER	SHEET NUMBER	
SEE TABLE	GENERAL MARKET	1 OF 1	

FOR 2 & 3 CKTS.



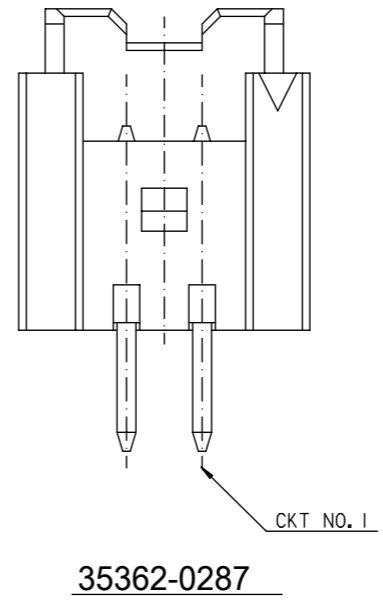
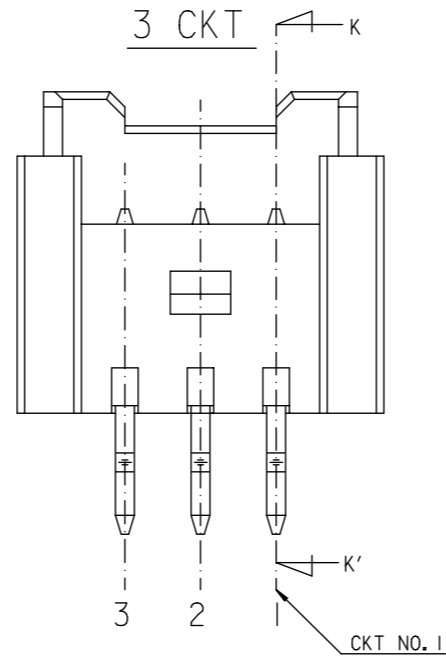
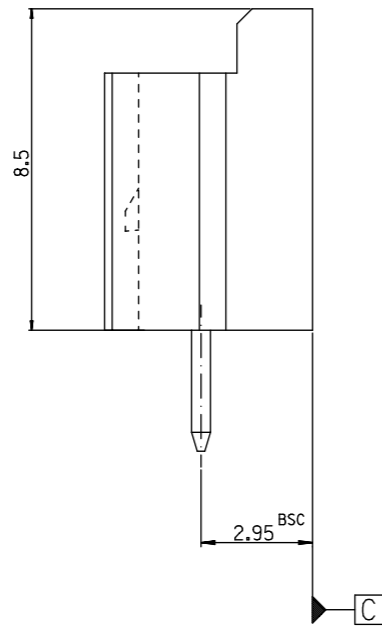
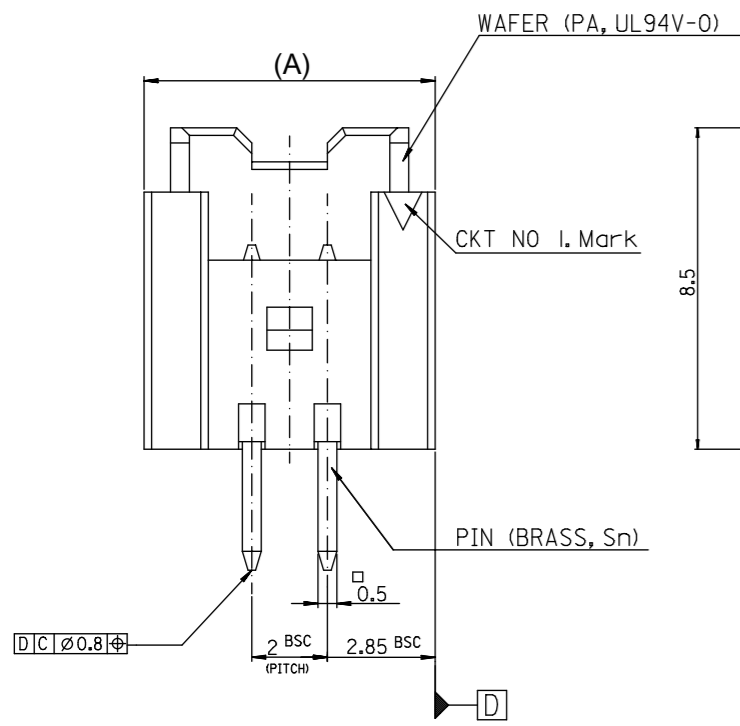
**LEGEND**

SD-35362-\*\*\*\*  
 CKT NO. \_\_\_\_\_ COLOR \_\_\_\_\_

FINAL GOOD (BULK) 5 : SELECTIVE KINK (LEAD FREE)  
 6 : NONE KINK (LEAD FREE)

SUB ASSY (TUBE) 7 : SELECTIVE KINK (LEAD FREE)  
 8 : NONE KINK (LEAD FREE)

0 : NATURAL  
 1 : BLACK  
 2 : RED  
 3 : YELLOW  
 4 : BLUE  
 5 : GREEN  
 6 : TUBE PACKING (Natural Color)  
 7 : TUBE PACKING (Red Color)  
 8 : TUBE PACKING (Blue Color)



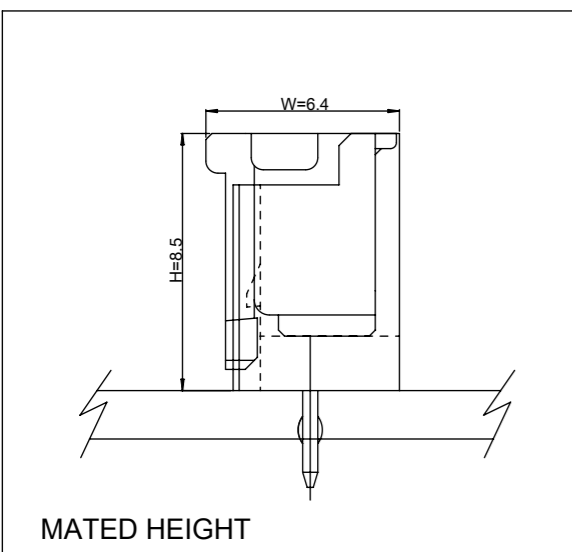
35362-0287

- NOTES**
- MATERIAL : UNFILLED POLYAMIDE, UL94V-0  
PIN : BRASS
  - FINISHES : PIN - Tin(Sn) 1.0~3.0µm OVERALL  
Cu 1.5~3.75µm OVERALL
  - PRODUCT SPECIFICATION : PS-35507-003
  - MATING HOUSING : 35507-\*\*0\*  
MATING TERMINAL : 50212-8000
  - KINK

CKT NO.	1	2	3
2 CKT			
3 CKT	A	B	A

CKT NO.	1	2
PRODUCT NO.		
35362-0287	A	B

7.3	4	9.7	3536203**	35362-03**	3
5.3	2	7.7	3536202**	35362-02**	2
(C)	B	(A)	MATERIAL NO.	ENG. NO.	CKT



**LEAD FREE**

FUNCTIONAL SYMBOLS	THIS DRAWING CONTAINS INFORMATION THAT IS PROPRIETARY TO MOLEX ELECTRONIC TECHNOLOGIES, LLC AND SHOULD NOT BE USED WITHOUT WRITTEN PERMISSION
SCALE	SCALE 5:1
GENERAL TOLERANCES (UNLESS SPECIFIED)	GENERAL TOLERANCES (UNLESS SPECIFIED)
ANGULAR TOL	ANGULAR TOL ± °
4 PLACES ±	4 PLACES ±
3 PLACES ±	3 PLACES ±
2 PLACES ±	2 PLACES ±
1 PLACE ±	1 PLACE ±
0 PLACES ±	0 PLACES ±
DRAFT WHERE APPLICABLE MUST REMAIN WITHIN DIMENSIONS	THIRD ANGLE PROJECTION

EC NO: 636378  
 DRWN: SCHONG03 2020/04/21  
 CHK'D: JBJIN 2020/04/23  
 APPR: YSKIM02 2020/04/23

INITIAL REVISION:  
 DRWN: DYJANG 2004/09/01  
 APPR: CHANGWOOLEE 2004/09/02

**molex**

2.0 WB WAFER ASS'Y  
 -LEAD FREE-

PRODUCT CUSTOMER DRAWING

DOCUMENT NUMBER: SD-35362-002  
 DOC TYPE: PSD  
 DOC PART: 002  
 REVISION: F3

MATERIAL NUMBER: SEE TABLE  
 CUSTOMER: GENERAL MARKET  
 SHEET NUMBER: 1 OF 1

## Looking for pricing, stock, or lifecycle information?

Click below to explore more details on WIN SOURCE:

 [View 0353621250 on WIN SOURCE](#)

 [Molex, LLC Information](#)

## Optimize Your Supply Chain with WIN SOURCE Solutions

-  Global Sourcing Solution
-  Obsolete Management
-  Cost Control Management
-  Shortage Management
-  Alternative Solution
-  Excess Inventory Management