

2 mm Square Low-Profile SMT Trimmer Potentiometers (Cermet, Open Frame Type)

Type: **EVM2G**
EVM2N
EVM2W



2G, 2N



2W

Features

- Low-profile
0.85 mm (0.95 mm max.) EVM2G
0.81 mm (0.95 mm max.) EVM2N
1.05 mm (1.2 mm max.) EVM2W
- Automatic adjustment type (EVM2W)
- High reliability realized by cermet element
- Excellent mountability
- Conforms to JIS C5260-1:1999
- RoHS compliant

Recommended Applications

- Audio/visual, office, and communication equipment
- General electronic equipment

Explanation of Part Numbers

| | | | | | | | | | | | |
|--------------|---|---|--------------------------------|---|-----------|---|---|---|----|----|----|
| 1 | 2 | 3 | 4 | 5 | 6 | 7 | 8 | 9 | 10 | 11 | 12 |
| E | V | M | 2 | G | S | X | 8 | 0 | B | 1 | 2 |
| Product Code | | | Type/Structure (2G, 2N, 2W) | | Packaging | | | Taper & Resistance Example : B12=100 Ω | | | |

Specifications

| | |
|--|--|
| Total Resistance Value Resistance Tolerance | 100 Ω to 1 MΩ EVM2G : ±20 %, EVM2N, 2W : ±25 % |
| Power Rating Limiting Element Voltage | 0.15 W 50 V |
| Rotation Torque | EVM2G, 2N : 0.5 to 10 mN·m EVM2W : 1 to 15 mN·m |
| Temperature Coefficient of Resistance | ±250 × 10 ⁻⁶ /°C |

Minimum Quantity/Packing Unit

| Part Number | Taping | | |
|-------------------------|-------------------|--------------------|-------------------|
| | Quantity per reel | Packaging quantity | Dia. of reel (mm) |
| EVM2G EVM2N EVM2W | 3,000 | 15,000 | φ178 |


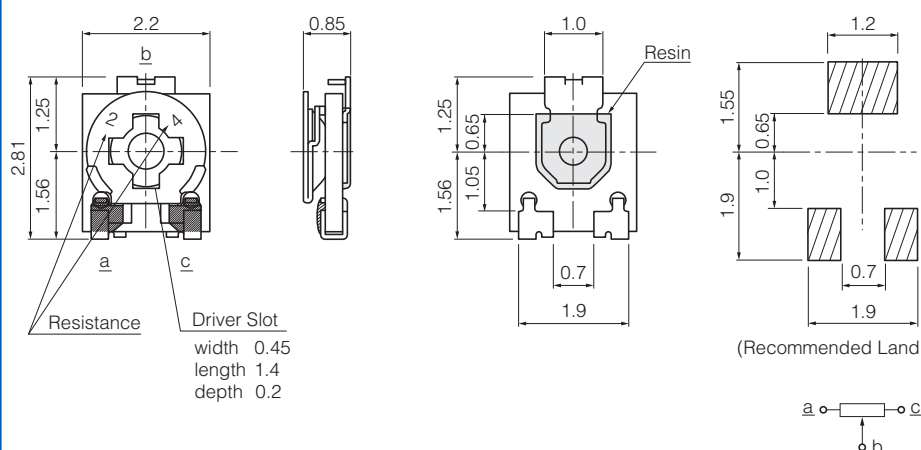
The standard packaging methods for a reel is φ178.

Please contact us, if you would like different packaging methods. (Bulk, Reel of φ330, Reel of φ380)

Dimensions in mm (not to scale)

● 3-terminal/Low-profile EVM2G

No. 1

Resistance Driver Slot
width 0.45
length 1.4
depth 0.2


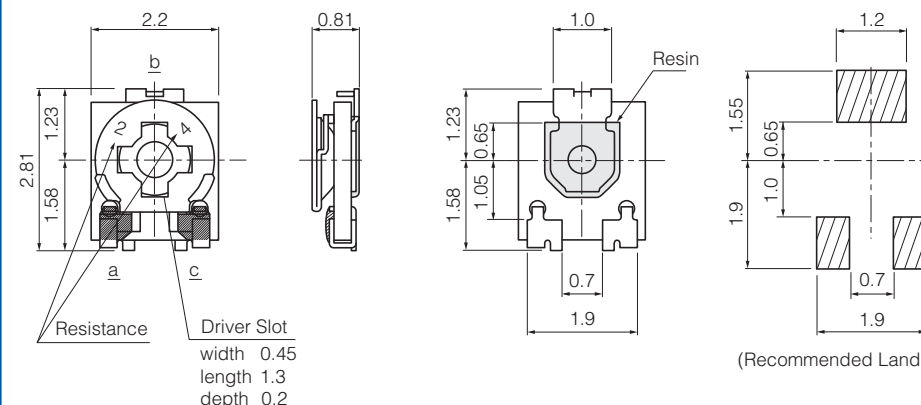
Mass (Weight) : 14 mg/pc.

(Recommended Land Pattern)

(Circuit diagram)

● 3-terminal/Low-profile EVM2N

No. 2

Resistance Driver Slot
width 0.45
length 1.3
depth 0.2


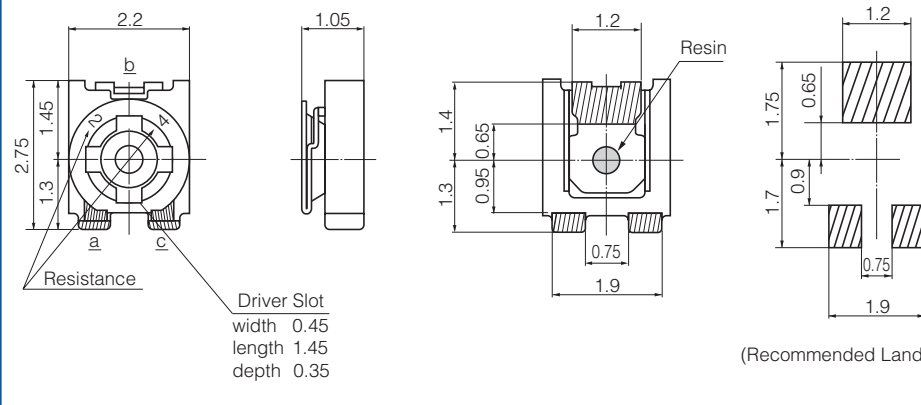
Mass (Weight) : 13 mg/pc.

(Recommended Land Pattern)

(Circuit diagram)

● 3-terminal, for Automatic Trimming Adjustment/Low-profile EVM2W

No. 3

Resistance Driver Slot
width 0.45
length 1.45
depth 0.35



Mass (Weight) : 17 mg/pc.

(Recommended Land Pattern)

(Circuit diagram)

Looking for pricing, stock, or lifecycle information?

Click below to explore more details on WIN SOURCE:

-  [View EVM2WSX80BC4 on WIN SOURCE](#)
-  [Panasonic Information](#)

Optimize Your Supply Chain with WIN SOURCE Solutions

-  Global Sourcing Solution
-  Obsolete Management
-  Cost Control Management
-  Shortage Management
-  Alternative Solution
-  Excess Inventory Management