



THE DATASHEET OF
0334820601



| TABLE OF CONTENTS | |
|-------------------|--------------------------|
| SHEET NO. | SHEET DESCRIPTION |
| 1 | NOTES AND BOM |
| 2 | CONFIGURATIONS |
| 3-4 | KEY CONFIGURATIONS |
| 5 | BLADE SEALED ASSEMBLY |
| 6 | SYSTEM PACKAGING |
| 7 | BACKSHELL NOTES |
| 8 | BACKSHELL |
| 9 | BACKSHELL CONFIGURATIONS |

NOTES: VALID UNLESS OTHERWISE SPECIFIED

1. GENERAL:
a. APPLICATION SPECIFICATION SEE: AS-33472-100
-CONTAINS: PRODUCT INTRODUCTION, PRODUCT SUMMARY, CONNECTOR ASSEMBLY, PACKAGING INFORMATION, CONNECTOR MATING, SERVICE INSTRUCTIONS, ELECTRICAL CONTINUITY CHECKING, CRIMPING, AND TROUBLESHOOTING.
-DESIGNED TO MATE WITH RECEPTACLE SEALED ASSEMBLY AS SPECIFIED IN THE MATING CONNECTOR DRAWINGS CHART.
*DENOTES DRAWINGS THAT CAN BE ACCESSED AT <http://ewcap.uscarteams.org/>.
-ASSEMBLY SHIPPED WITH PLR IN PRE-LOCK POSITION (SEE PLR PRE-LOCK VIEW SHEET 5).

b. PRODUCT SPECIFICATION SEE:
-STANDARD CONFIGURATION: PS-33472-000
-UL V0 CONFIGURATION: TBD
CONTAINS: PRODUCT INTRODUCTION, PRODUCT SUMMARY, RATINGS (CURRENT, TEMPERATURE, SEALING, AND FLAMMABILITY), TERMINALS, WIRE DIAMETER RANGE, PRODUCT VALIDATION, AND PRODUCT DEVIATIONS.

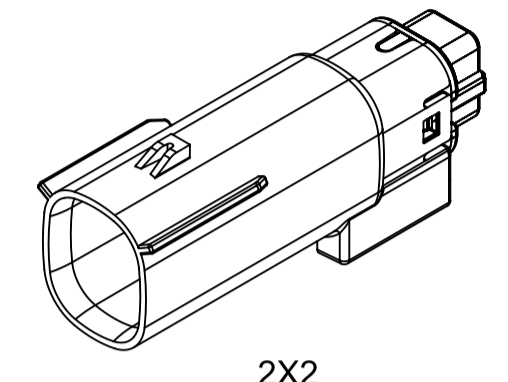
c. PACKAGING SPECIFICATION PER MOLEX DRAWING: PK-31300-903
d. PARTS MUST BE IN COMPLIANCE TO MOLEX CHEMICAL SUBSTANCES FOR PRODUCTS AND PACKAGING SPECIFICATION: QEHS-699000-300
e. DATA MUST BE SUBMITTED UNDER THE MOLEX PART NUMBER TO IMDS (COMPANY ID#13255)

2. DESIGN - MATERIALS:
a. FOR BILL OF MATERIALS: SEE BOM CHART

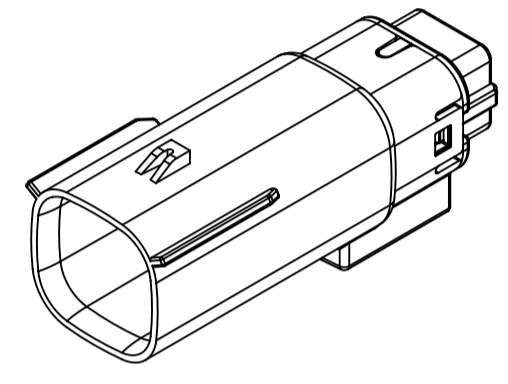
3. DESIGN - GEOMETRY:
a. THE 3-D CAD DATA IS BASIC (WITHOUT TOLERANCE) AND MASTER FOR THIS PART WITH THE EXCEPTION OF UNDERLINED DIMENSIONS. DIMENSIONAL INFORMATION NOT SHOWN ON THIS DRAWING IS DEFINED BY THE DATA FILE AT ITS LATEST REVISION.
b. GEOMETRIC DIMENSIONS AND TOLERANCES PER ASME Y14.5M-2009
c. EDGES AND UNDIMENSIONED DETAILS PER ISO13715
d. CORNERS SHOWN AS SHARP TO BE R 0.2 MAX.
e. LETTERING SHALL BE 0.15 MAX RAISED IN 0.25 MAX RECESS PAD. THIS INCLUDES RECYCLING CODE, CAVITY ID, VENDOR IDENTIFICATION, AND CUSTOMER MATERIAL NUMBER.
f. VISUAL DEFECTS SHALL MEET COSMETIC STANDARD PS-45499-002 (Class B).
g. LASER MARKING:
1. PART NUMBER
2. DAY OF THE YEAR
3. SHIFT
4. YEAR
FOR ADDITIONAL INFORMATION SEE SECTION 5 UNDER PROCEDURES IN ES-34735-008.

| BILL OF MATERIALS (BOM) | |
|-------------------------|----------------|
| DESCRIPTION | DRAWING NO. |
| UL V0 VERSION | SD-160084-0002 |
| STANDARD 2X2 | 334820402 |
| STANDARD 2X3 | 334820602 |
| STANDARD 2X4 | 334820802 |
| STANDARD 2X6 | 334821202 |
| STANDARD 2X8 | 334821602 |
| STANDARD 2X10 | 334822002 |

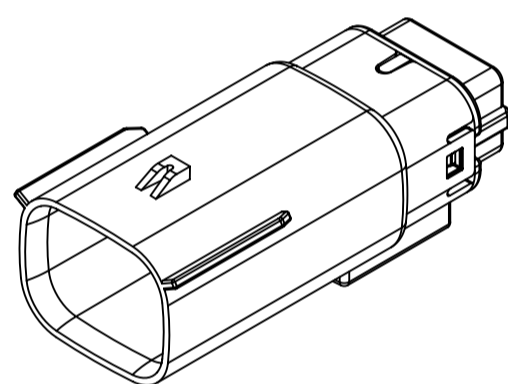
| MATING CONNECTOR DRAWINGS | |
|---------------------------|---------------|
| DESCRIPTION | MOLEX INLINE |
| 2X2 | SD-33472-0001 |
| 2X3 | SD-33472-0001 |
| 2X4 | SD-33472-0001 |
| 2X6 | SD-33472-0001 |
| 2X8 | SD-33472-0001 |
| 2X10 | SD-33472-0001 |



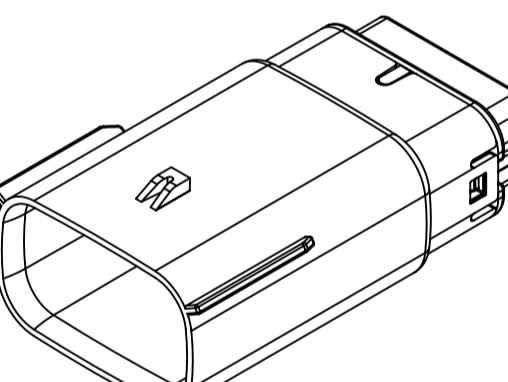
2X2



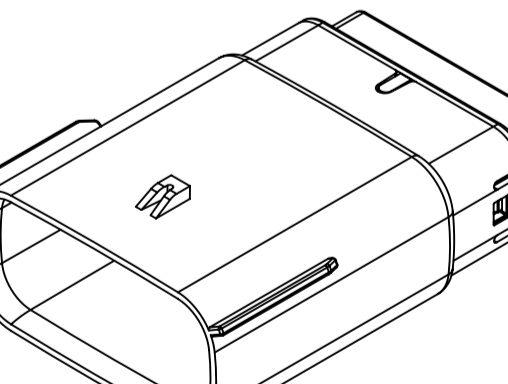
2X3



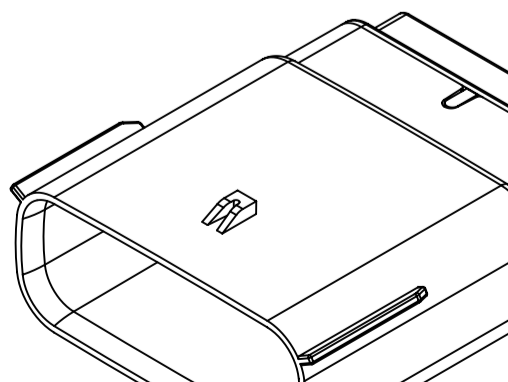
2X4



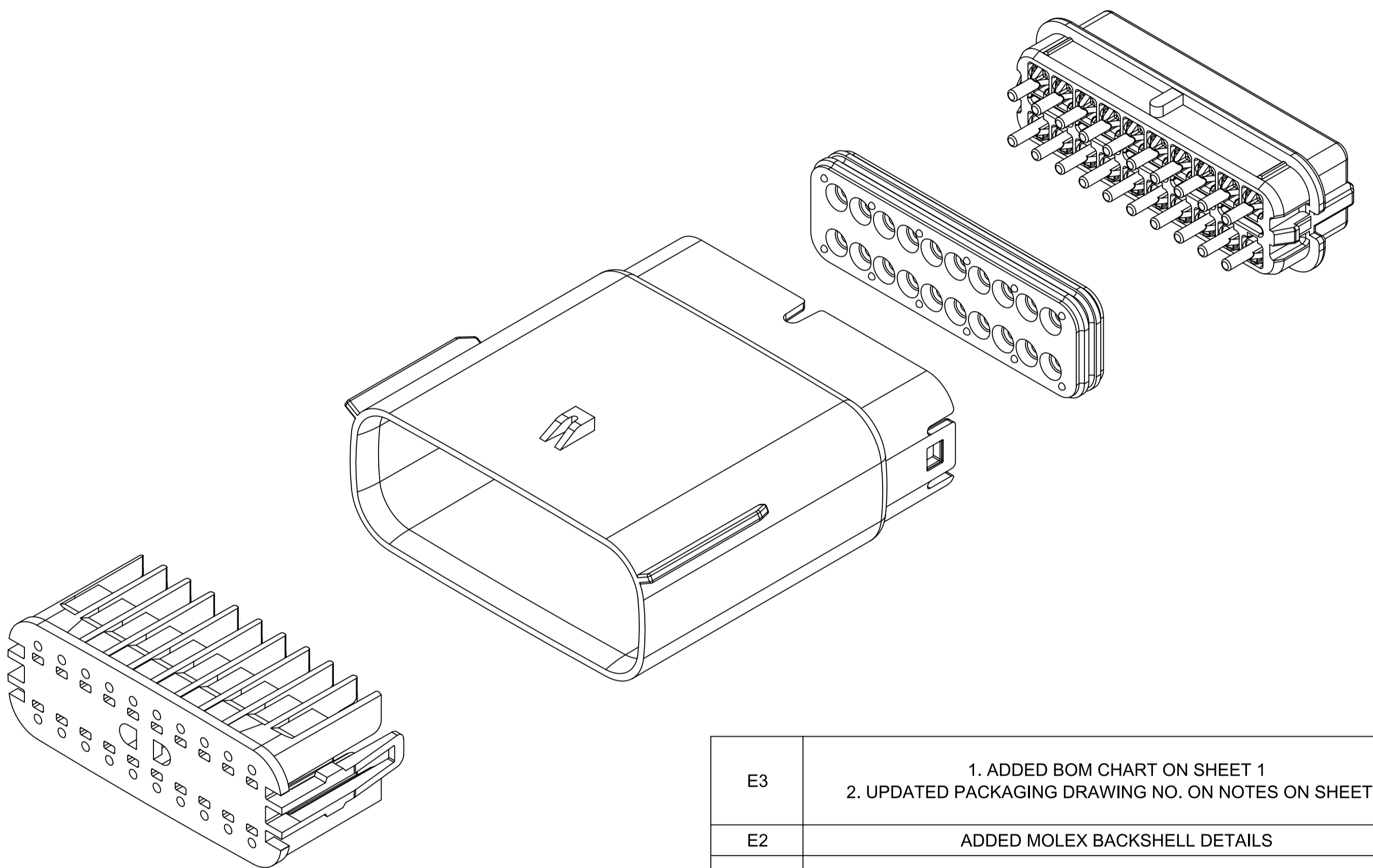
2X6



2X8



2X10

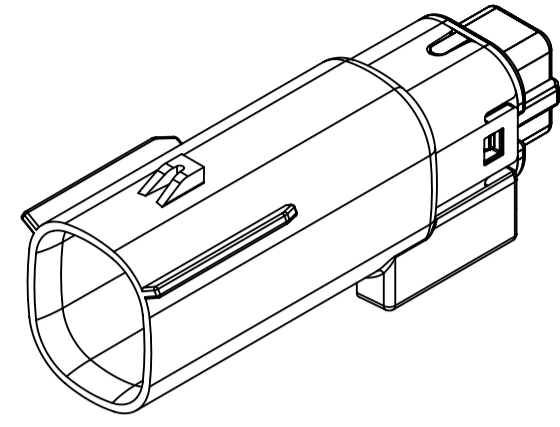


| INSPECTION NUMBER LOG | |
|-----------------------|---|
| LAST NUMBER: | 9 |
| ADDED: | |
| REMOVED: | |

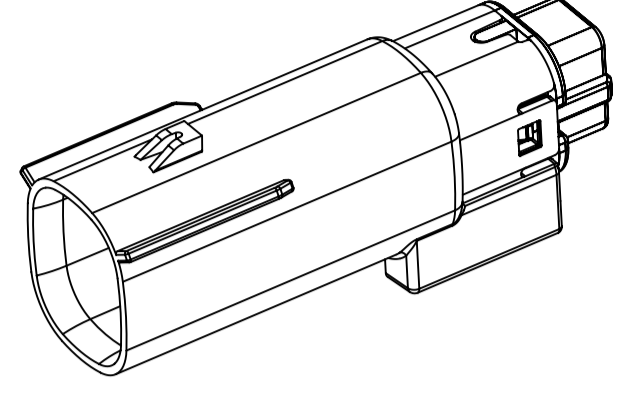
| | |
|-----|---|
| E3 | 1. ADDED BOM CHART ON SHEET 1 2. UPDATED PACKAGING DRAWING NO. ON NOTES ON SHEET 1 |
| E2 | ADDED MOLEX BACKSHELL DETAILS |
| E1 | MIGRATED FROM COCREATE AND IMPORTED DXF FILES |
| E | ADDED CHARTED DIMENSIONS FOR 2X2, 2X4, 2X6 AND 2X8 WITH CLIPSLLOT |
| D | MINOR GEOMETRY CHANGE FOR UL V0 |
| C3 | ADD 2X4 |
| C2 | ADD 2X3 |
| C1 | ADD UL V0 CONFIGURATIONS |
| C | ADD 2X8 |
| B1 | ADD 2X6 BACKSHELL INFO |
| B | ADD 2X6 |
| A | INITIAL RELEASE |
| REV | REV DESCRIPTION |

| | | | |
|--|---|---|--|
| FUNCTIONAL SYMBOLS FA = 0 FE = 0 FP = 0 DIVISIONAL SYMBOLS | THIS DRAWING CONTAINS INFORMATION THAT IS PROPRIETARY TO MOLEX ELECTRONIC TECHNOLOGIES, LLC AND SHOULD NOT BE USED WITHOUT WRITTEN PERMISSION DIMENSION UNITS: mm SCALE: 1.5:1 GENERAL TOLERANCES (UNLESS SPECIFIED) ANGULAR TOL ± 1' 4 PLACES ± 3 PLACES ± 2 PLACES ± 0.100 1 PLACE ± 0.20 0 PLACES ± DRAFT WHERE APPLICABLE MUST REMAIN WITHIN DIMENSIONS | CURRENT REV DESC: STATUS: Production DRWN: Yann Chen CHK'D: Yu Chao Fu APPR: Elvis Song THIRD ANGLE PROJECTION | <div style="text-align: center;">molex</div> <div style="text-align: center;">MX150 BLADE DUAL ROW SEALED ASSEMBLY</div> <div style="text-align: center;">PRODUCT SALES DRAWING</div> |
| | DRAFT WHERE APPLICABLE MUST REMAIN WITHIN DIMENSIONS | DRWG: A1-SIZE SERIES: 33482 | DOCUMENT NUMBER: SD-33482-0001 DOC TYPE: PSD DOC PART: 001 REVISION: E3 |

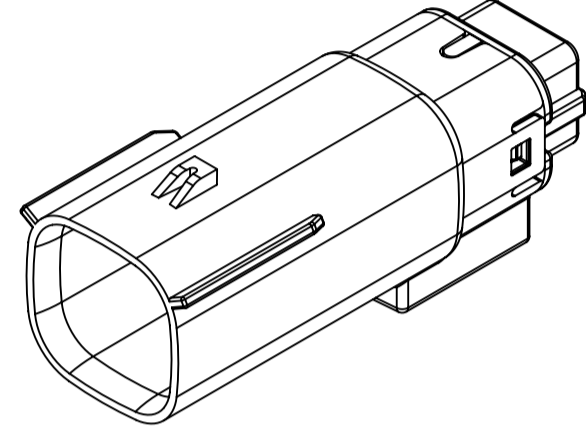
SHEET DESCRIPTION
CONFIGURATIONS



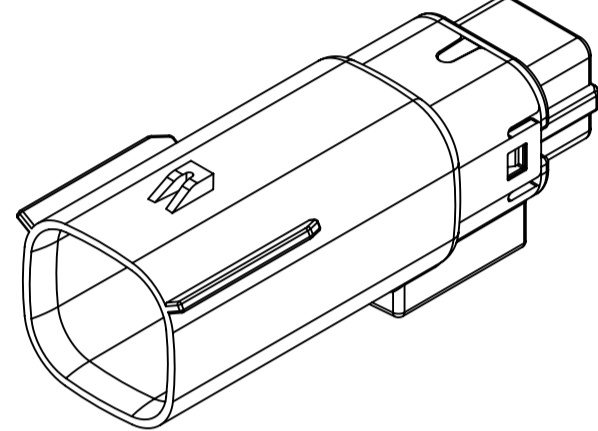
2X2 - STANDARD (STD)



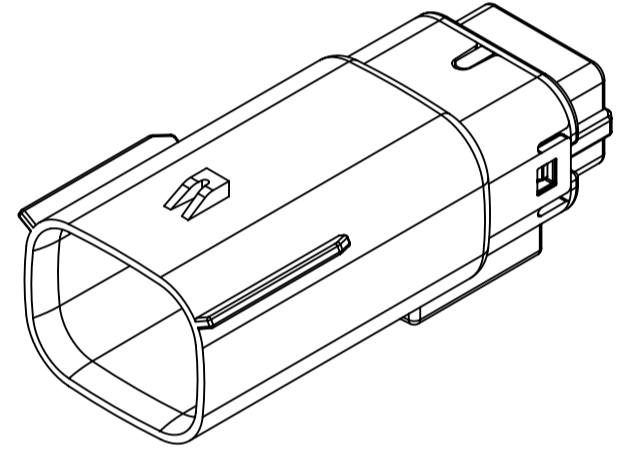
2X2 - UL V0*



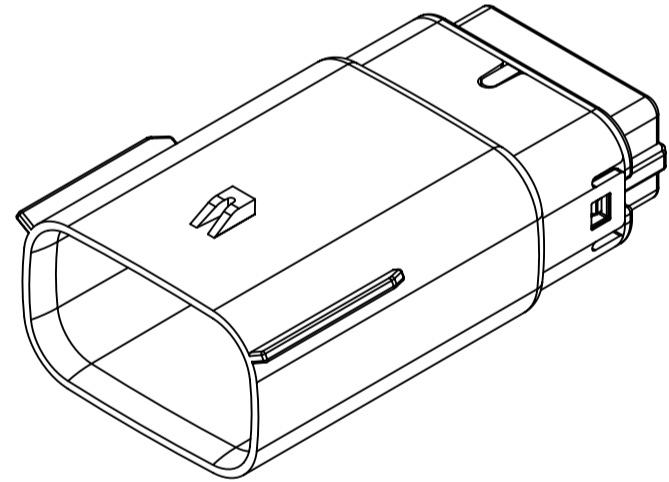
2X3 - STANDARD (STD)



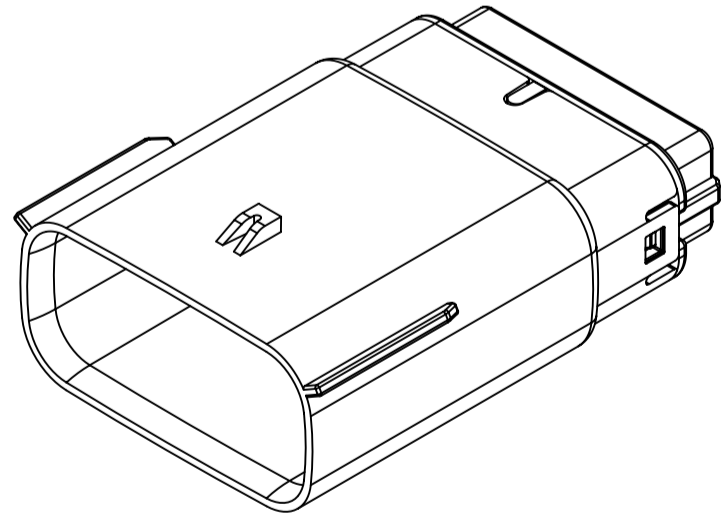
2X3 - LENGTHENED



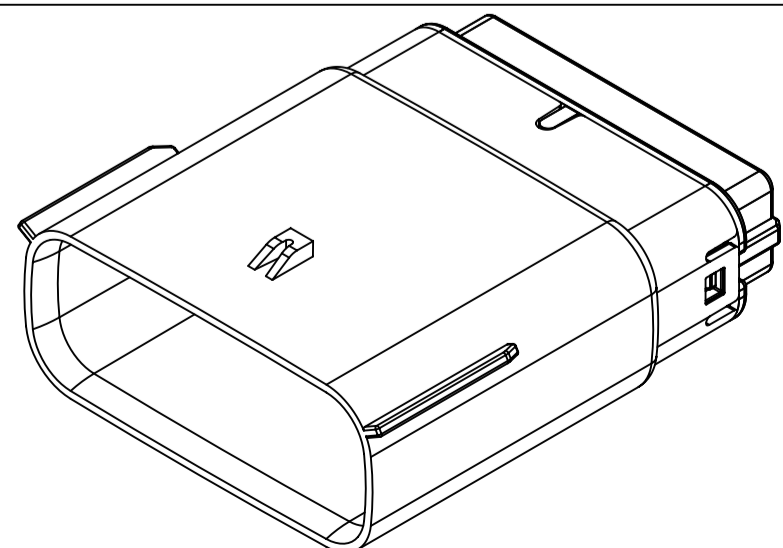
2X4 - STANDARD (STD)



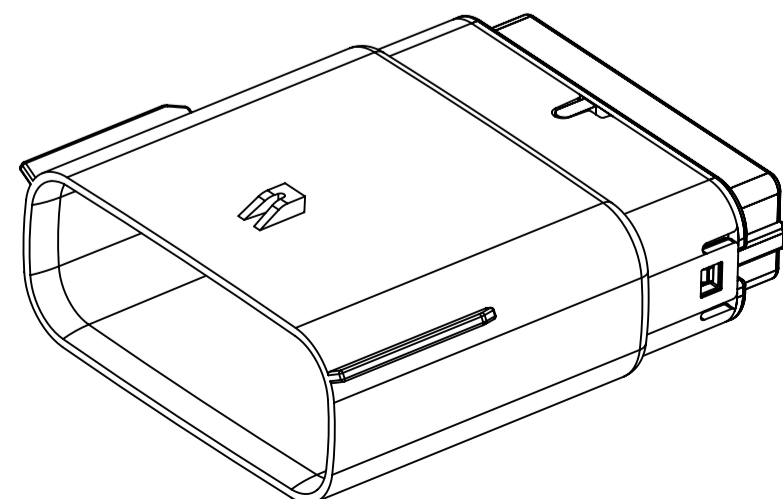
2X6 - STANDARD (STD)



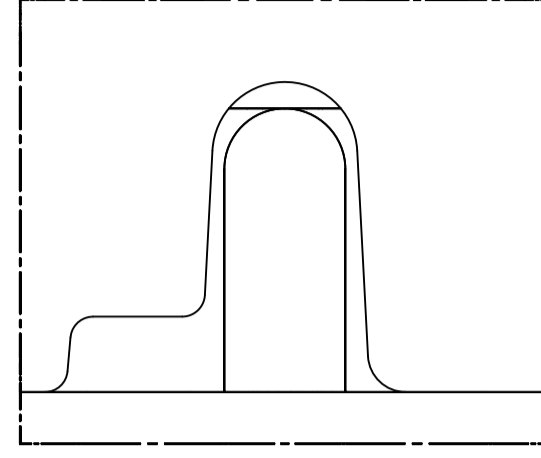
2X8 - STANDARD (STD)



2X10 - STANDARD (STD)



2X10 - UL V0*

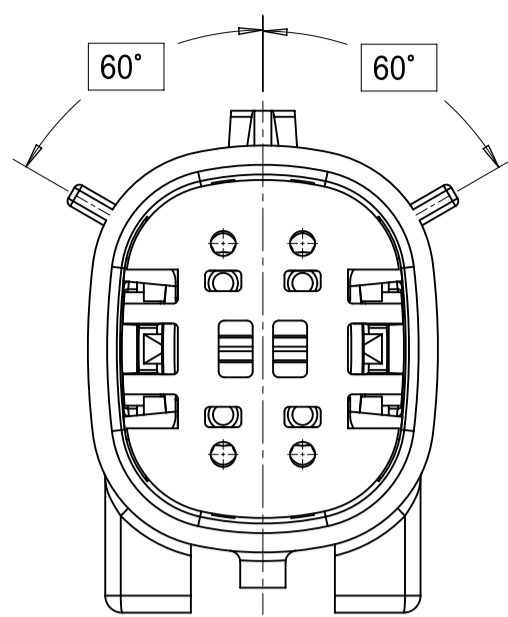


UL V0 UNIQUE FEATURE
Partial1
SCALE 10:1

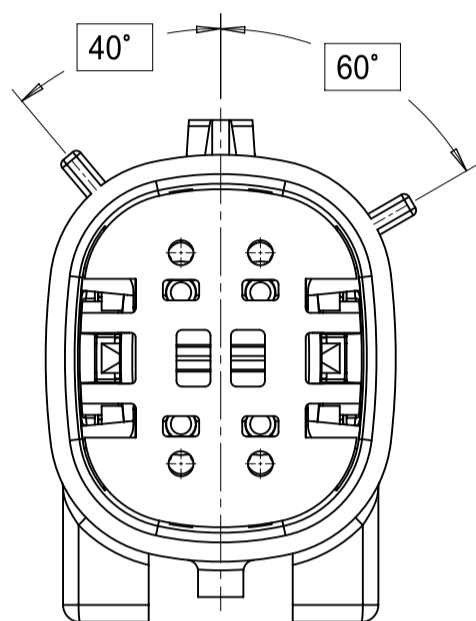
* MINOR GEOMETRY CHANGE THAN STANDARD CONFIGURATION.
SEE NOTE 2a FOR MORE INFORMATION

| | | | | | | | | | |
|---|---|---------------------------------------|--|-------------------|-----------------|----------------|-----|-----------------|----------|
| FUNCTIONAL SYMBOLS $\frac{E}{A} = 0$ $\frac{E}{C} = 0$ $\frac{E}{P} = 0$ DIVISIONAL SYMBOLS | THIS DRAWING CONTAINS INFORMATION THAT IS PROPRIETARY TO MOLEX ELECTRONIC TECHNOLOGIES, LLC AND SHOULD NOT BE USED WITHOUT WRITTEN PERMISSION | CURRENT REV DESC: | | | | | | | |
| | DIMENSION UNITS | SCALE | STATUS: Production | | | | | DOCUMENT NUMBER | DOC TYPE |
| | $\frac{E}{A} = 0$ | mm | 1.5:1 | DRWN: Yann Chen | | SD-33482-0001 | PSD | 001 | E3 |
| | $\frac{E}{C} = 0$ | GENERAL TOLERANCES (UNLESS SPECIFIED) | | CHK'D: Yu Chao Fu | | 2023-09-26 | | | |
| | $\frac{E}{P} = 0$ | ANGULAR TOL \pm 1' | | APPR: Elvis Song | | 2023-09-27 | | | |
| | 4 PLACES | \pm | THIRD ANGLE PROJECTION | | MATERIAL NUMBER | CUSTOMER | | SHEET NUMBER | |
| | 3 PLACES | \pm | DRAFT WHERE APPLICABLE MUST REMAIN WITHIN DIMENSIONS | | 33482 | GENERAL MARKET | | 2 OF 11 | |
| | 2 PLACES | \pm 0.100 | | | A1-SIZE | | | | |
| | 1 PLACE | \pm 0.20 | | | | | | | |
| | 0 PLACES | \pm | | | | | | | |

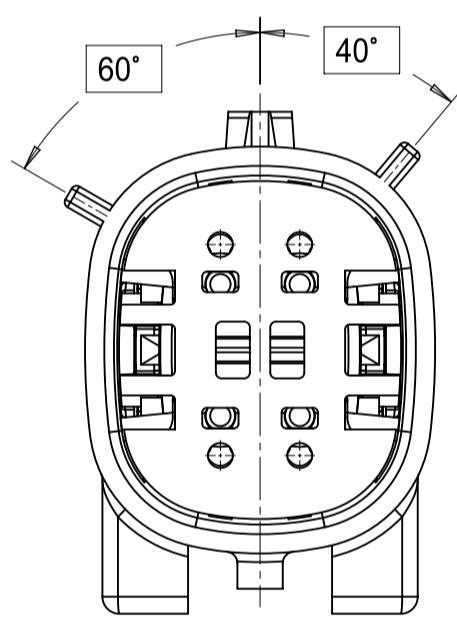
2X2



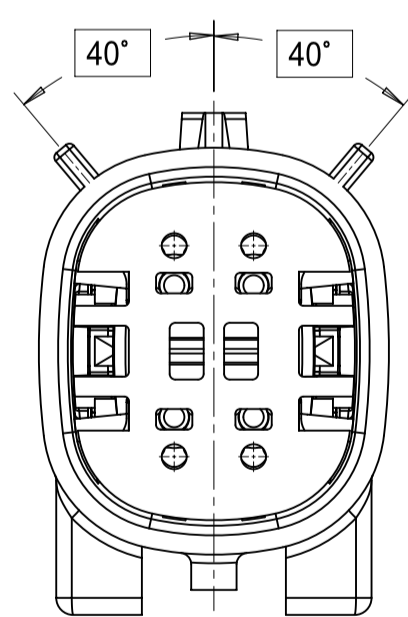
KEY A



KEY B

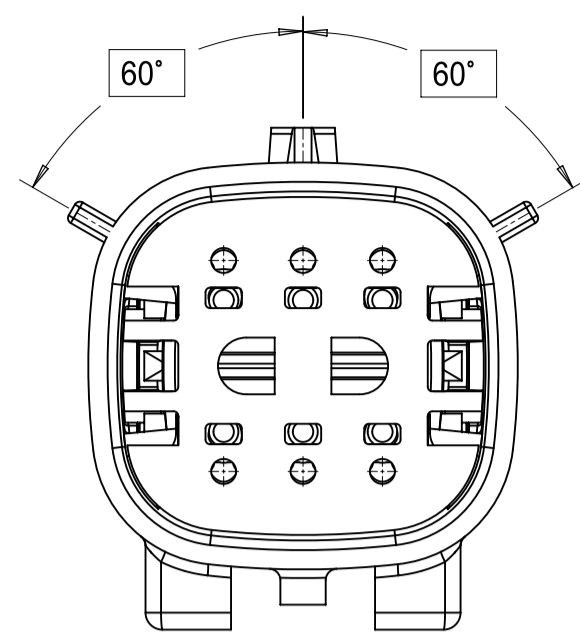


KEY C

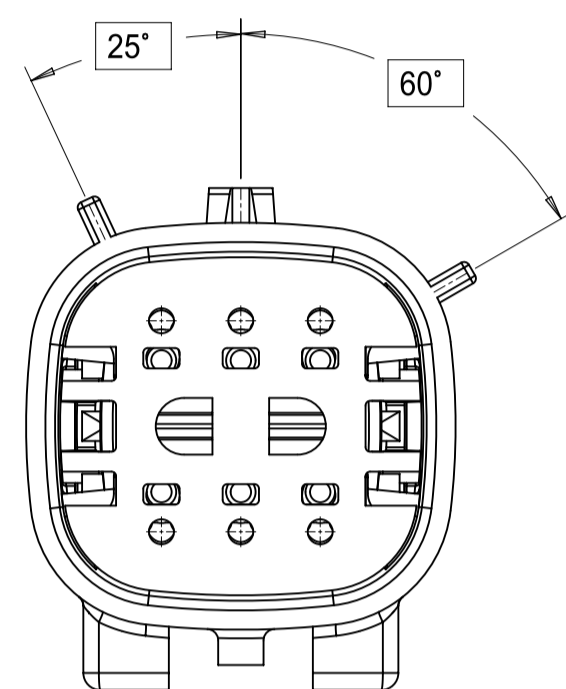


KEY D

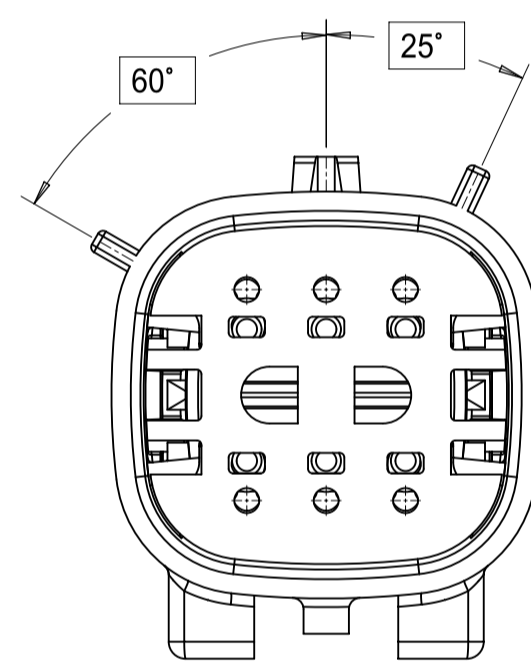
2X3



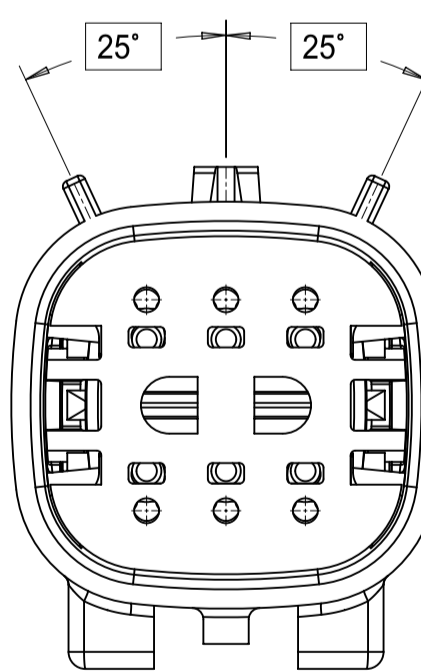
KEY A



KEY B

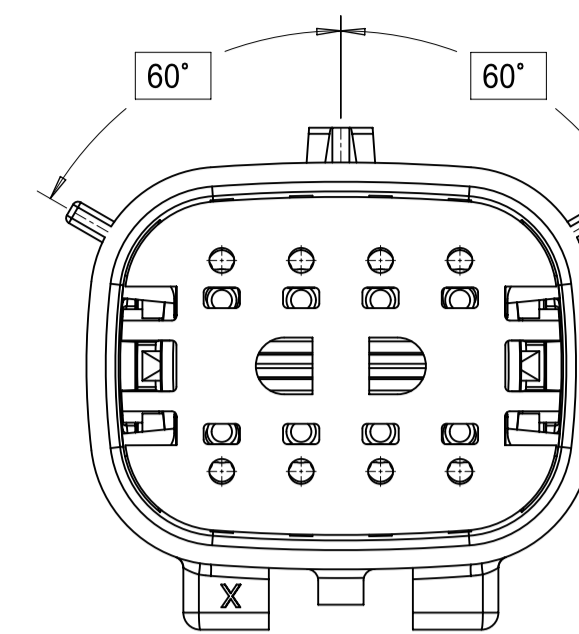


KEY C

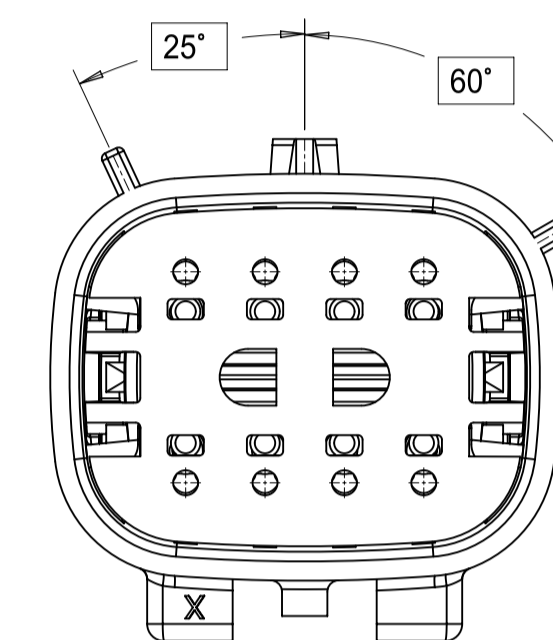


KEY D

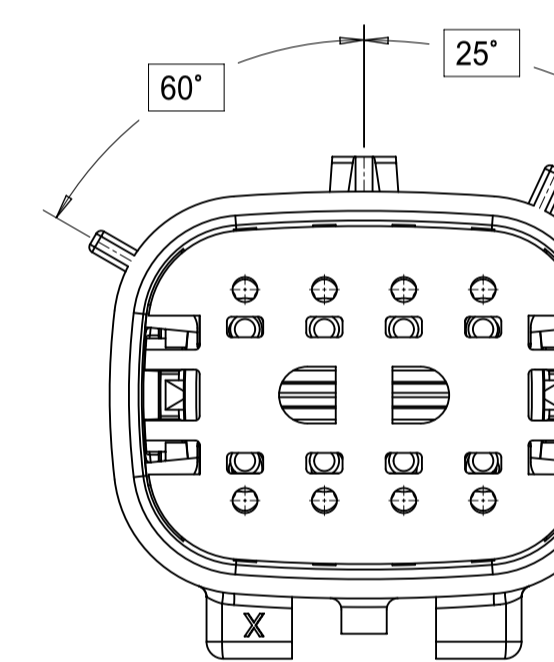
2X4



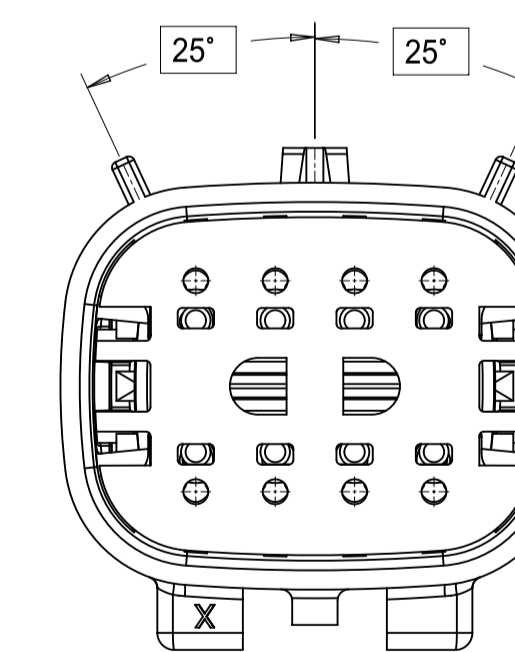
KEY A



KEY B



KEY C



KEY D

| | | | | |
|--|---|------------------------|--|---|
| FUNCTIONAL SYMBOLS FA = 0 FC = 0 FP = 0 DIVISIONAL SYMBOLS 2 PLACES ± 0.100 1 PLACE ± 0.20 0 PLACES ± | THIS DRAWING CONTAINS INFORMATION THAT IS PROPRIETARY TO MOLEX ELECTRONIC TECHNOLOGIES, LLC AND SHOULD NOT BE USED WITHOUT WRITTEN PERMISSION | | CURRENT REV DESC: | |
| | DIMENSION UNITS mm | SCALE 3:1 | STATUS: Production DRWN: Yann Chen CHK'D: Yu Chao Fu APPR: Elvis Song | |
| | GENERAL TOLERANCES (UNLESS SPECIFIED) ANGULAR TOL ± 1° | | 2023-09-26 2023-09-26 2023-09-27 | DOCUMENT NUMBER SD-33482-0001 |
| | DRAFT WHERE APPLICABLE MUST REMAIN WITHIN DIMENSIONS | | THIRD ANGLE PROJECTION | DRAWING A1-SIZE |
| | | SERIES 33482 | CUSTOMER GENERAL MARKET | SHEET NUMBER 3 OF 11 |

molex

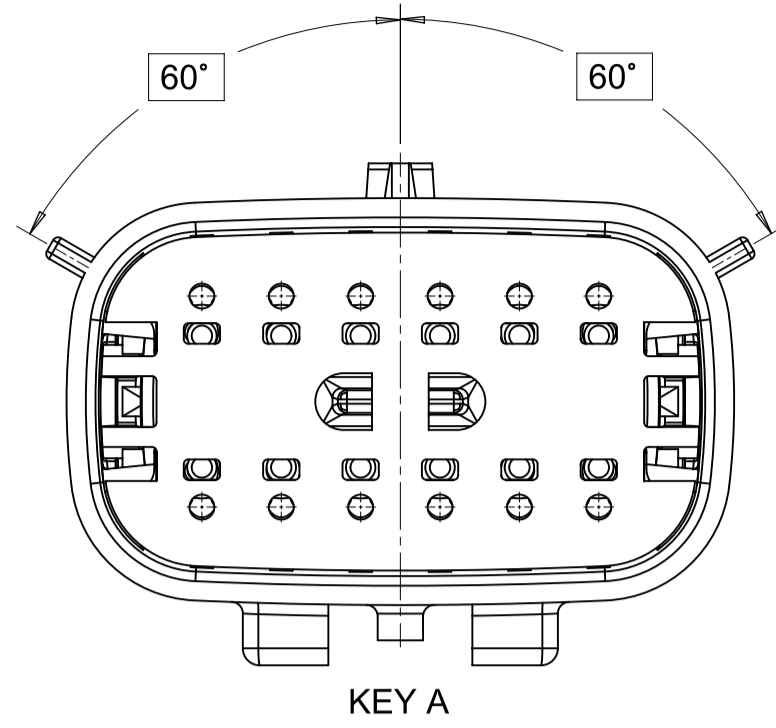
MX150 BLADE
DUAL ROW SEALED ASSEMBLY

PRODUCT SALES DRAWING

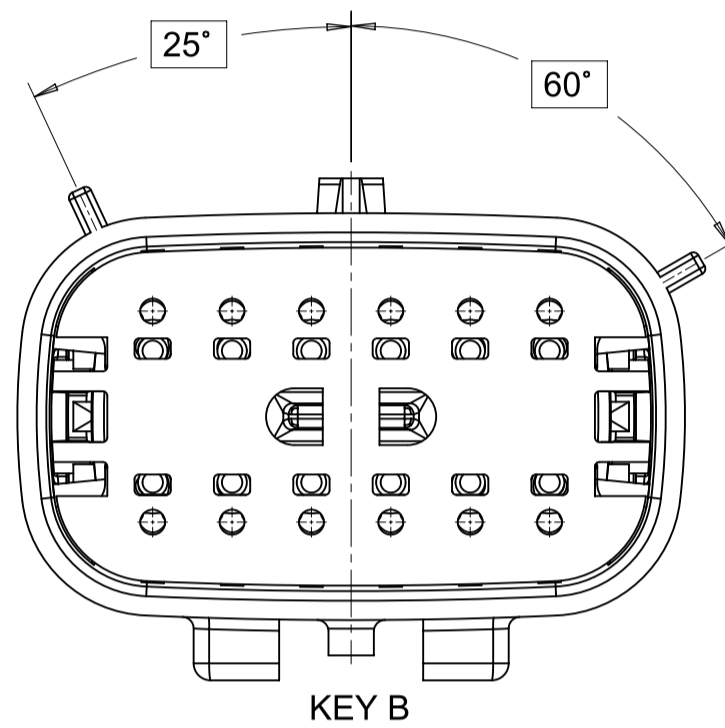
| | | |
|----------|----------|----------|
| DOC TYPE | DOC PART | REVISION |
| PSD | 001 | E3 |

| | | |
|-----------------|----------------|--------------|
| MATERIAL NUMBER | CUSTOMER | SHEET NUMBER |
| | GENERAL MARKET | 3 OF 11 |

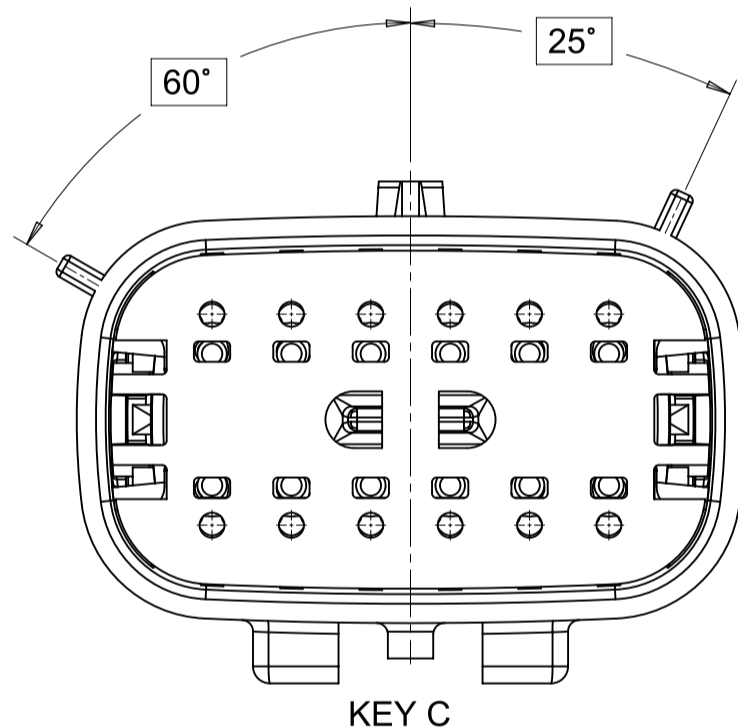
2X6



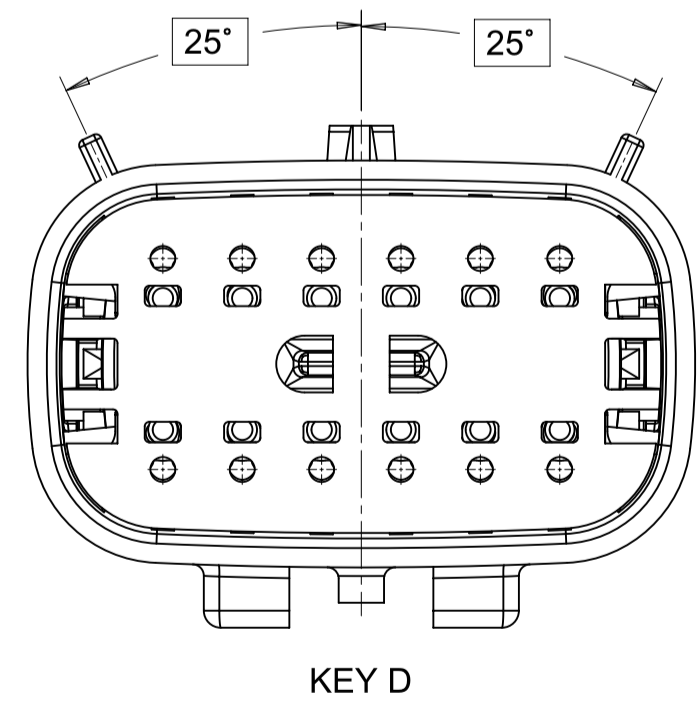
KEY A



KEY B

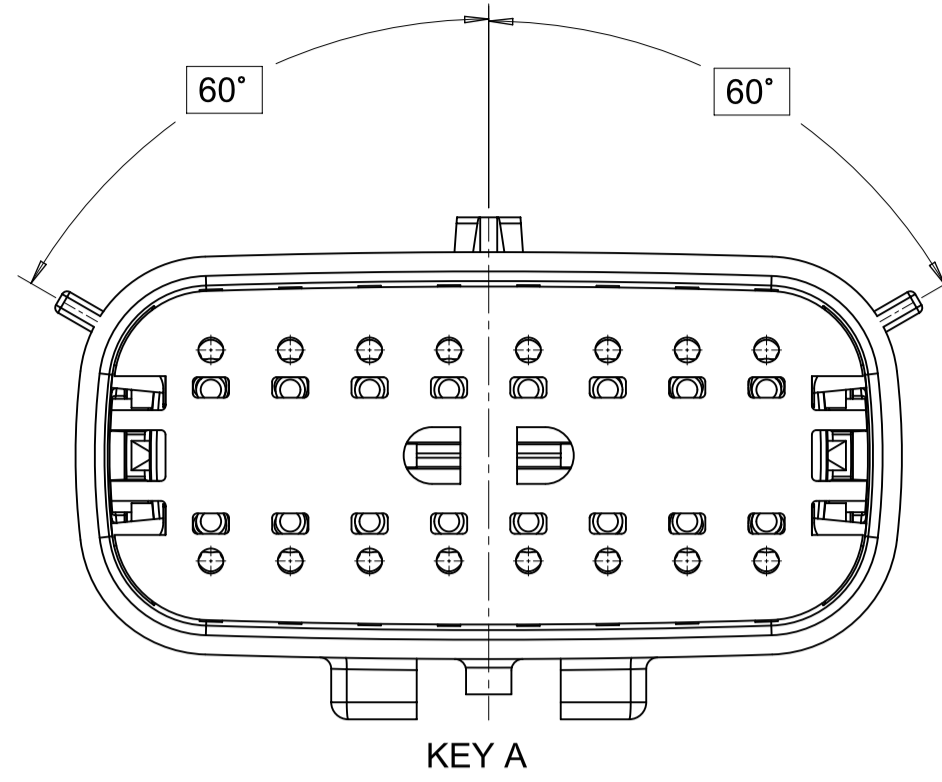


KEY C

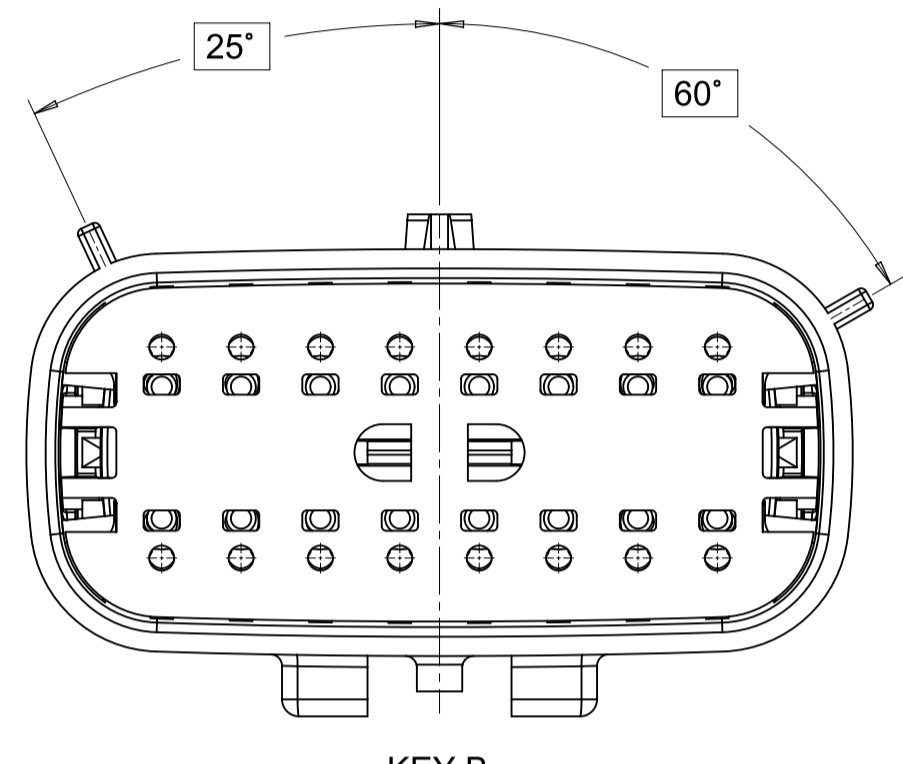


KEY D

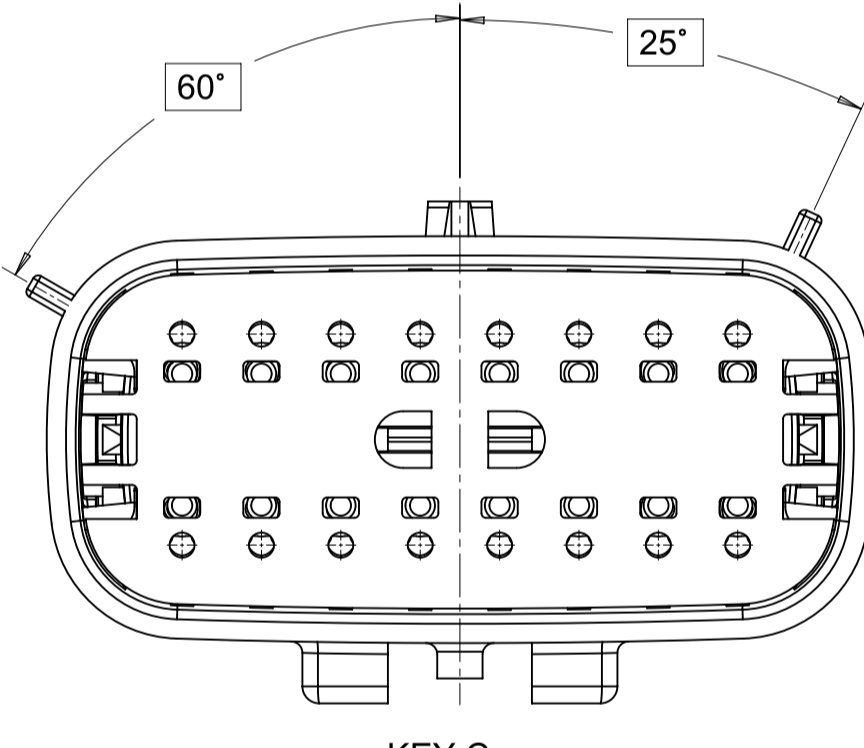
2X8



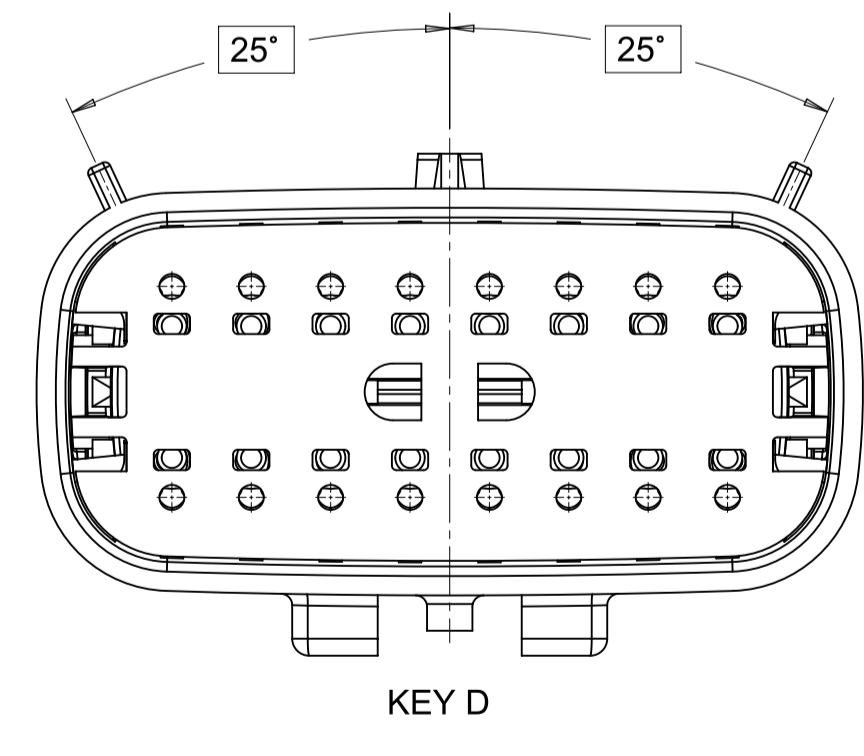
KEY A



KEY B

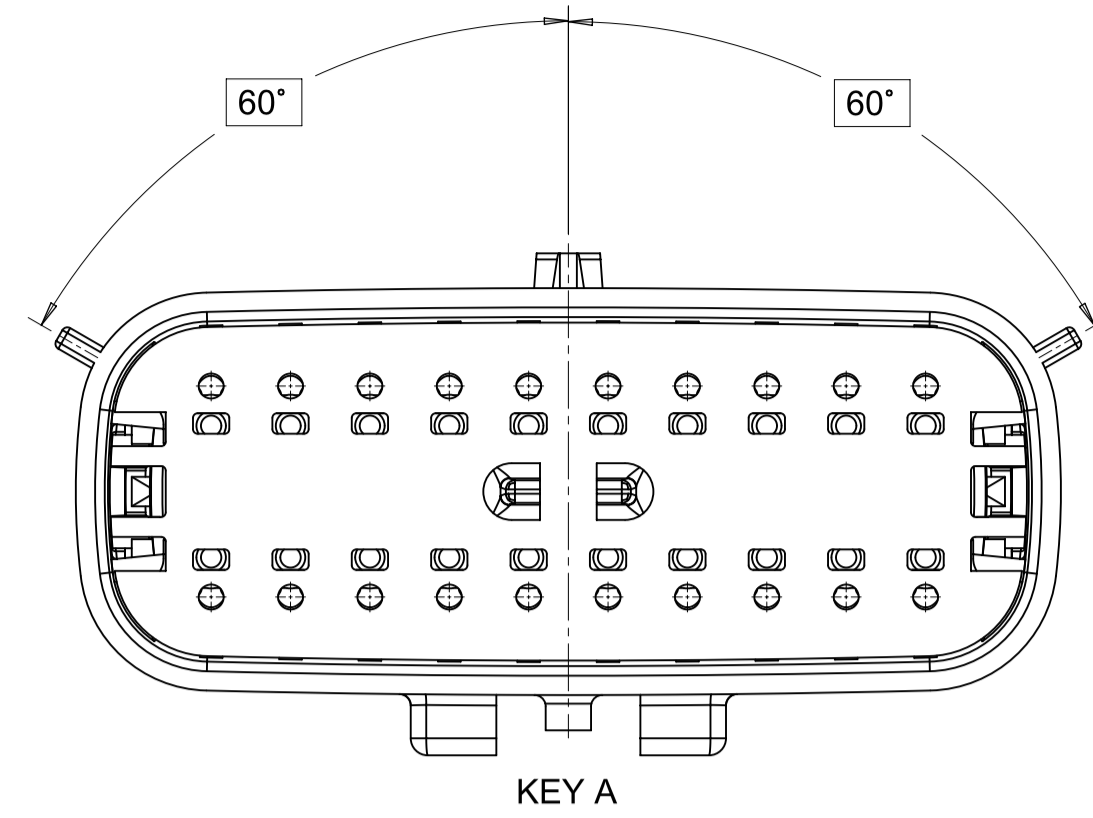


KEY C

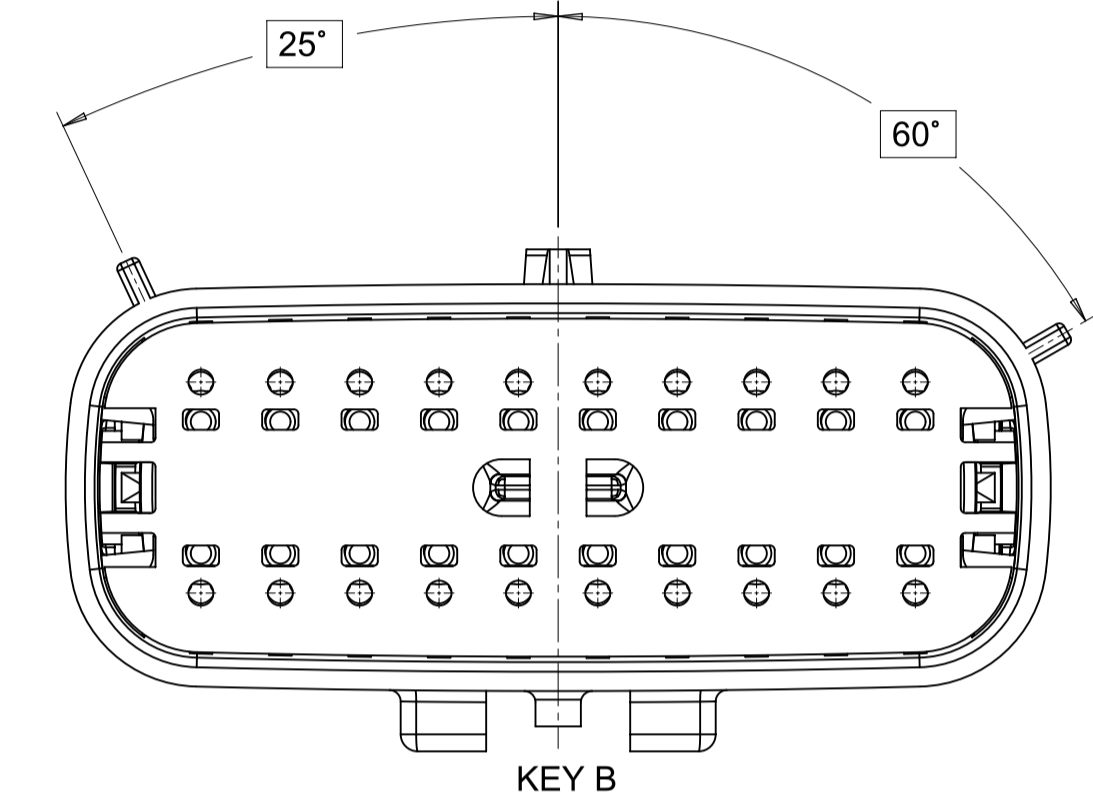


KEY D

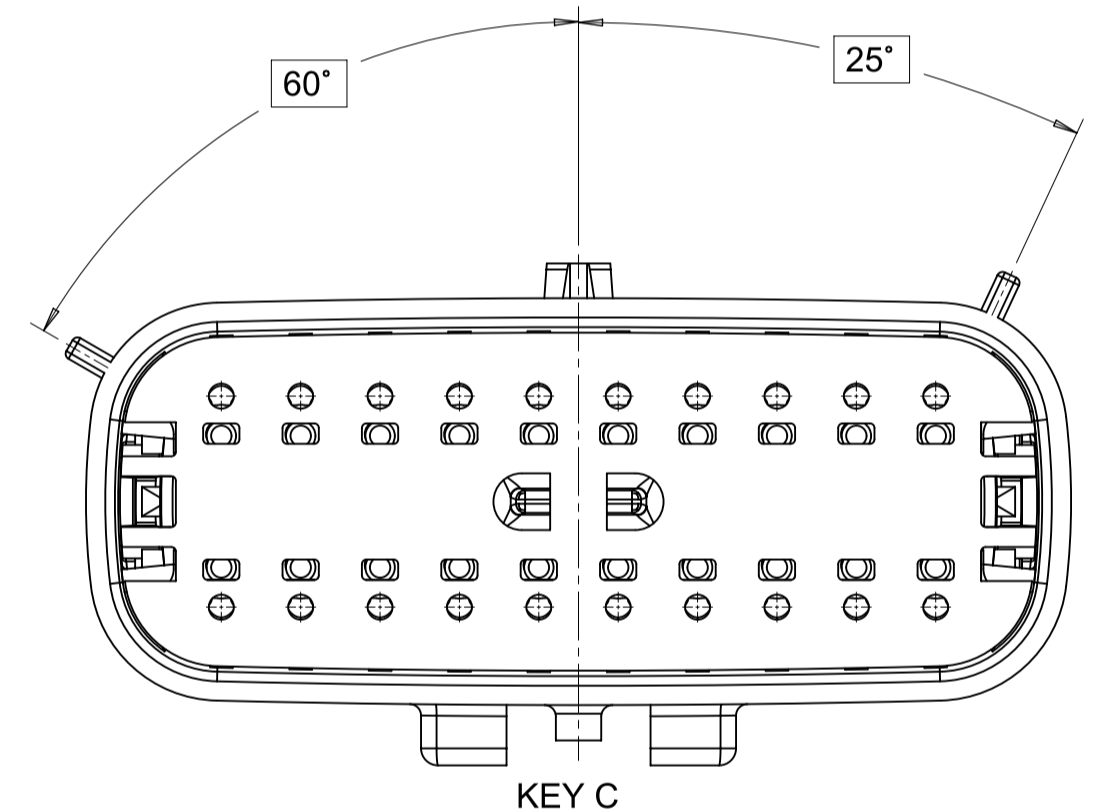
2X10



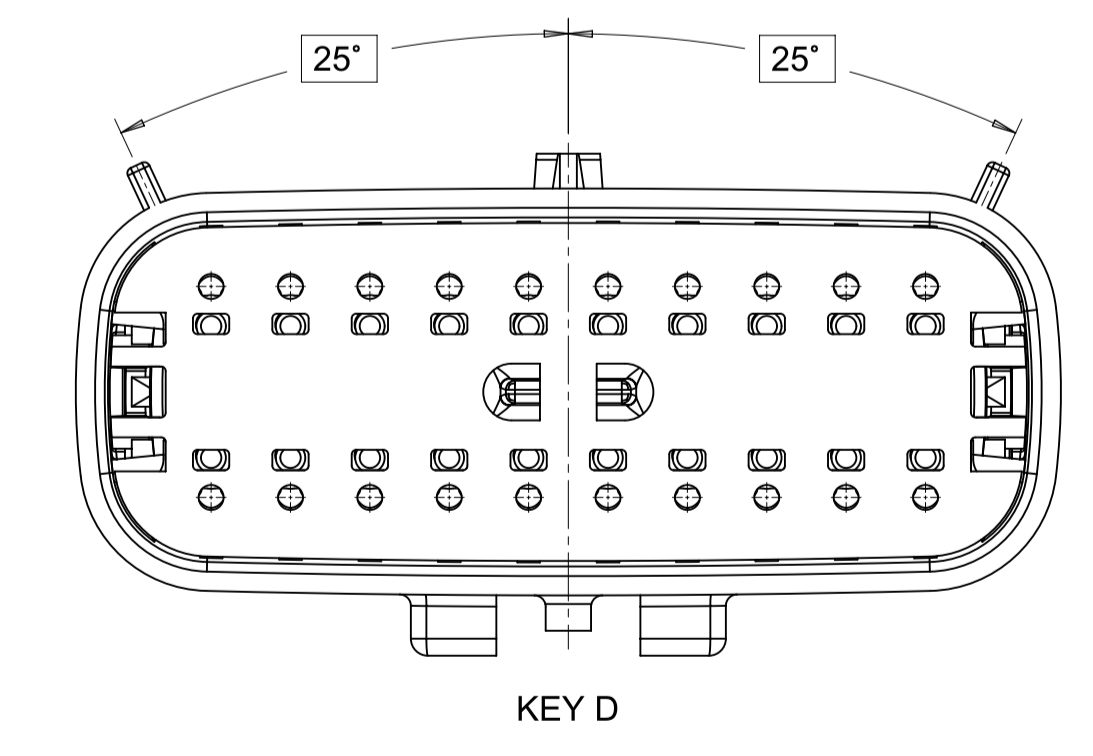
KEY A



KEY B



KEY C



KEY D

| | | | | |
|--|---|------------------|--------------------|--------------------------------|
| FUNCTIONAL SYMBOLS FA = 0 FE = 0 FP = 0 DIVISIONAL SYMBOLS | THIS DRAWING CONTAINS INFORMATION THAT IS PROPRIETARY TO MOLEX ELECTRONIC TECHNOLOGIES, LLC AND SHOULD NOT BE USED WITHOUT WRITTEN PERMISSION | | CURRENT REV DESC: | |
| | DIMENSION UNITS | SCALE | STATUS: Production | |
| | mm | 3:1 | DRWN: Yann Chen | |
| | GENERAL TOLERANCES (UNLESS SPECIFIED) | | CHK'D: Yu Chao Fu | |
| ANGULAR TOL ± 1' | | APPR: Elvis Song | | |
| 4 PLACES ± | | 2023-09-26 | DOCUMENT NUMBER | DOC TYPE DOC PART REVISION |
| 3 PLACES ± | | 2023-09-26 | SD-33482-0001 | PSD 001 E3 |
| 2 PLACES ± 0.100 | | 2023-09-27 | | |
| 1 PLACE ± 0.20 | | | | |
| 0 PLACES ± | | | | |
| DRAFT WHERE APPLICABLE MUST REMAIN WITHIN DIMENSIONS | THIRD ANGLE PROJECTION | DRAWING | SERIES | MATERIAL NUMBER |
| | | A1-SIZE | 33482 | CUSTOMER |
| | | | | GENERAL MARKET |
| | | | | SHEET NUMBER |
| | | | | 4 OF 11 |

molex

MX150 BLADE
DUAL ROW SEALED ASSEMBLY

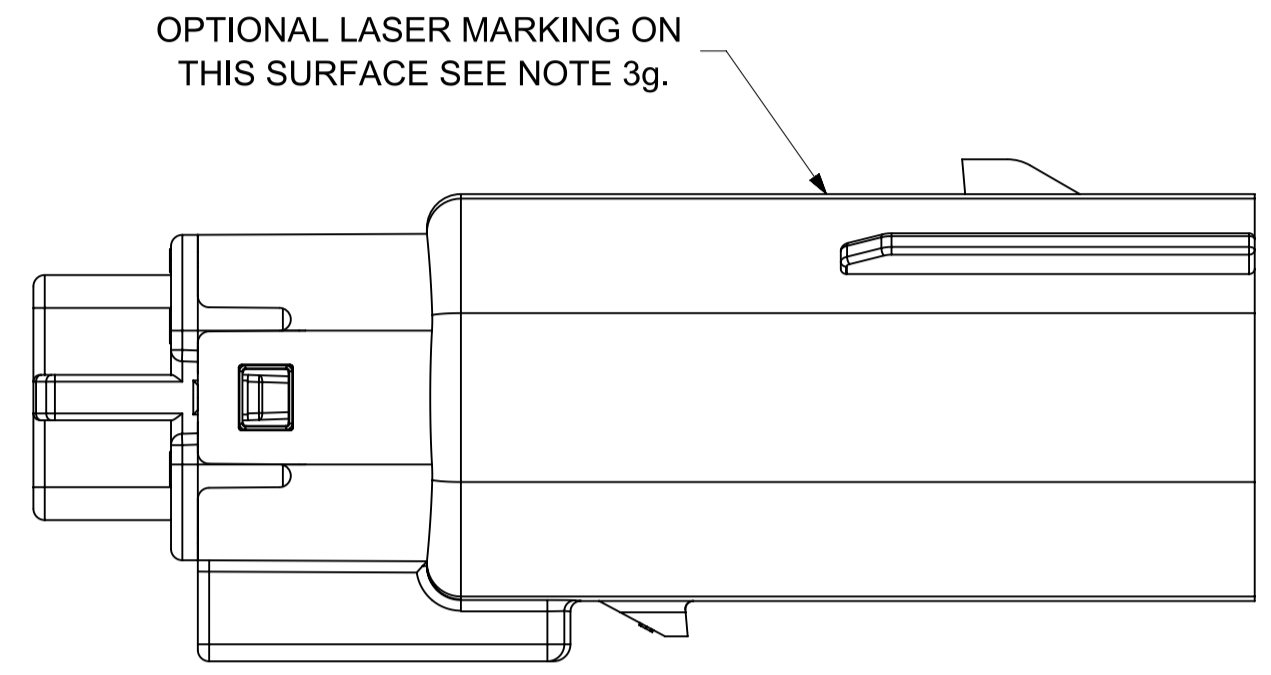
PRODUCT SALES DRAWING

2023-09-26 DOCUMENT NUMBER
2023-09-26 SD-33482-0001
2023-09-27 PSD | 001 | E3

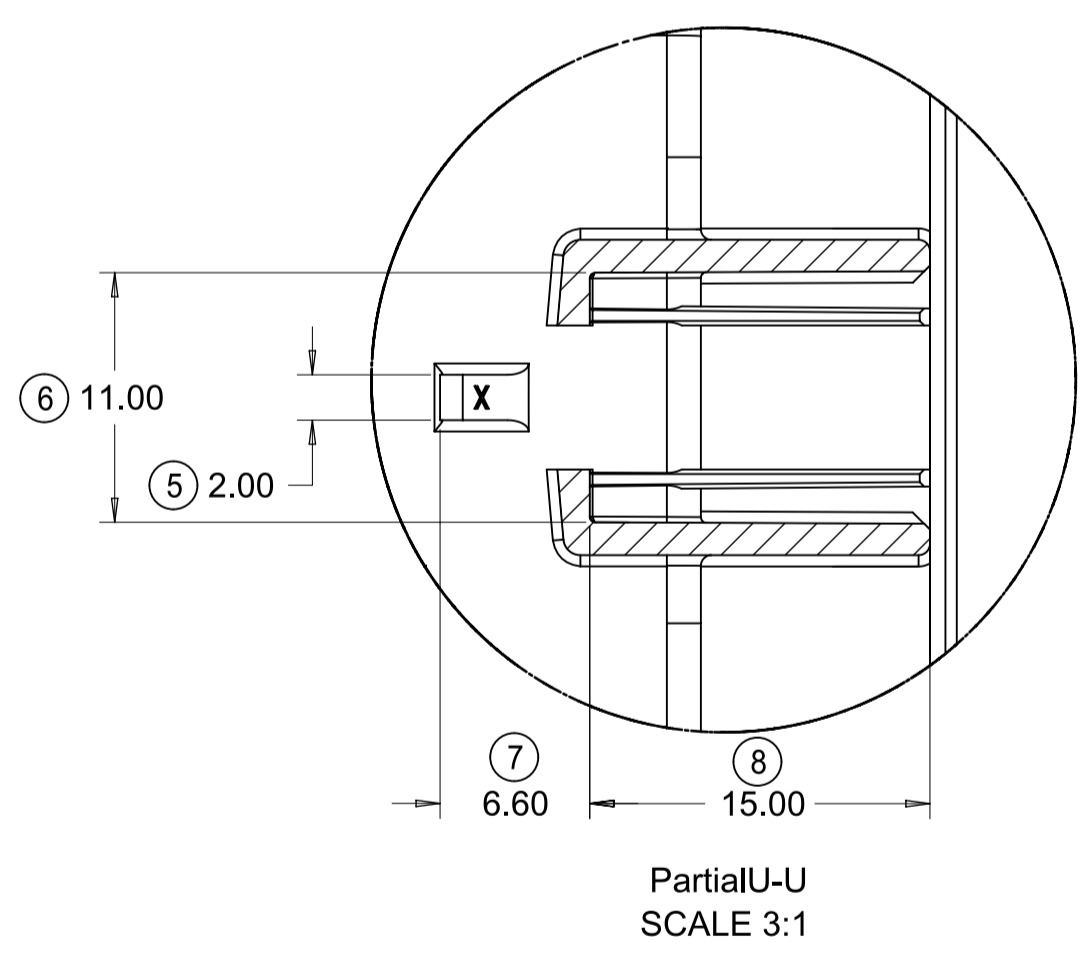
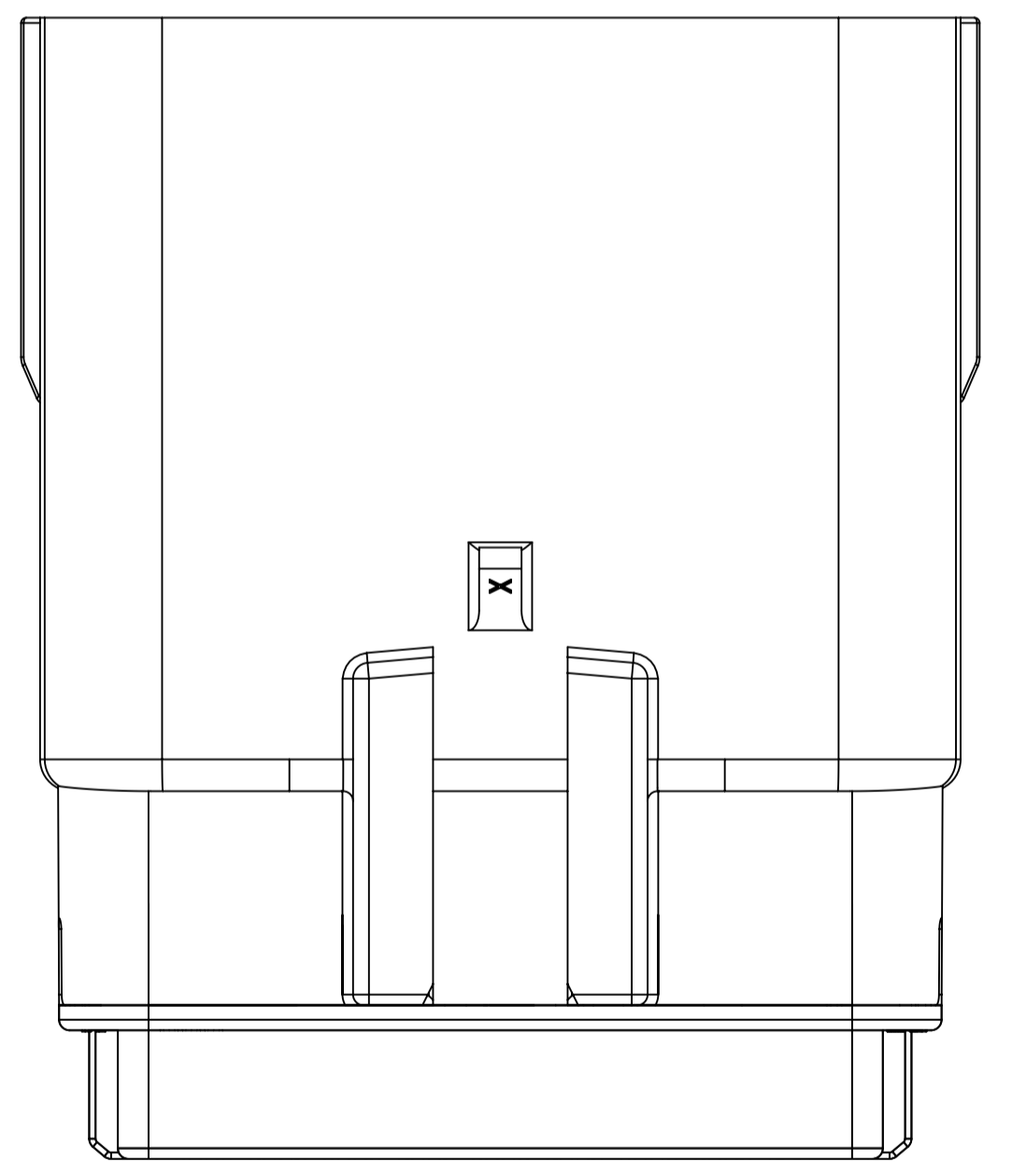
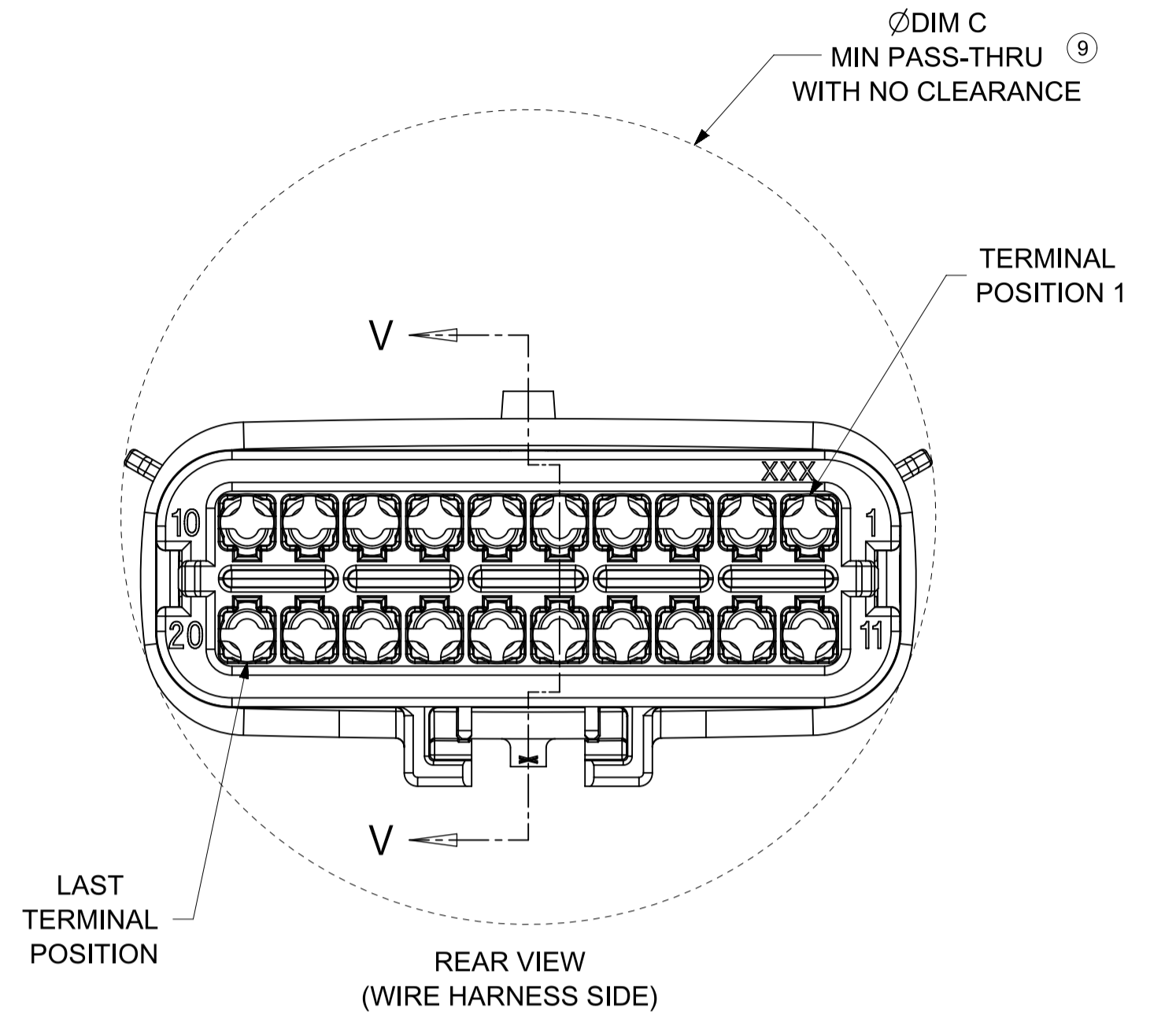
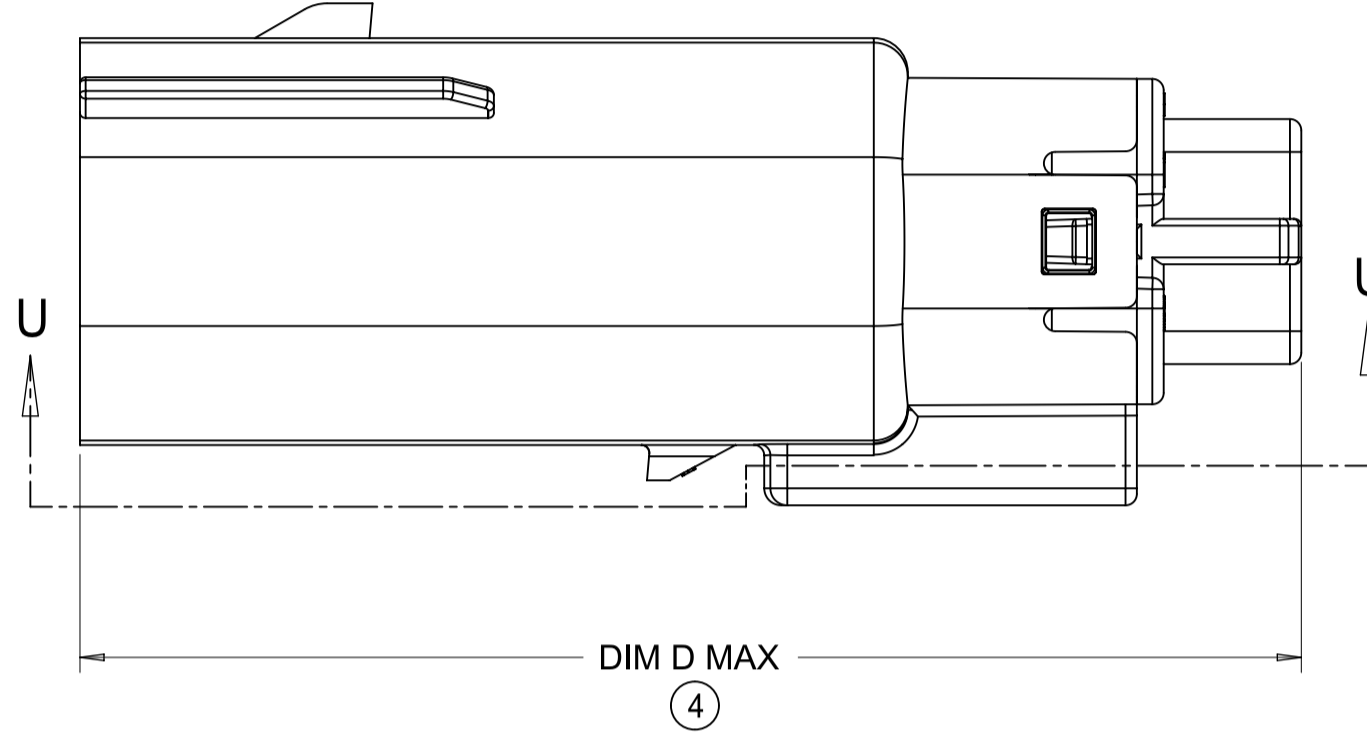
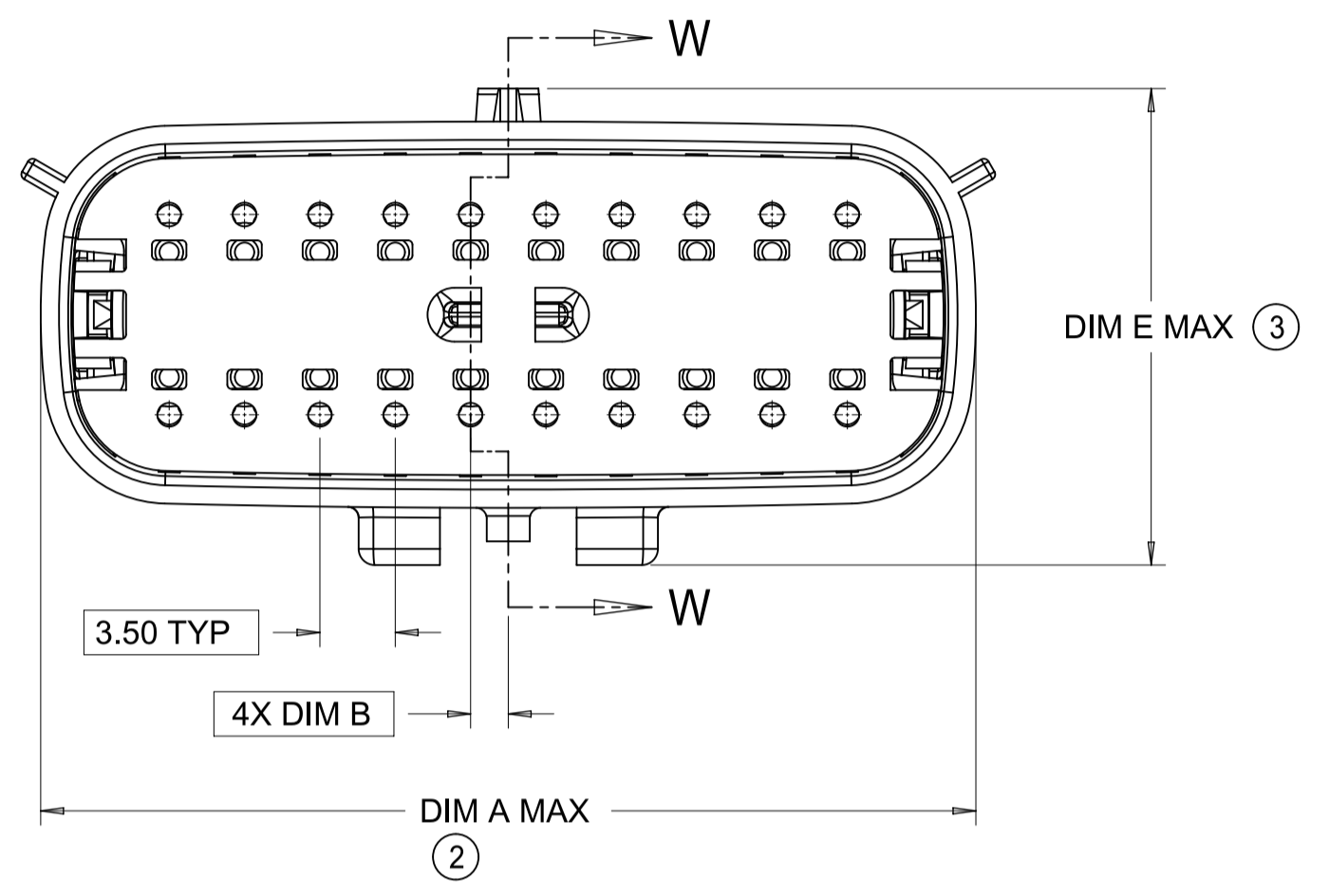
CUSTOMER
GENERAL MARKET
SHEET NUMBER
4 OF 11

| SHEET DESCRIPTION | |
|-----------------------|--|
| BLADE SEALED ASSEMBLY | |

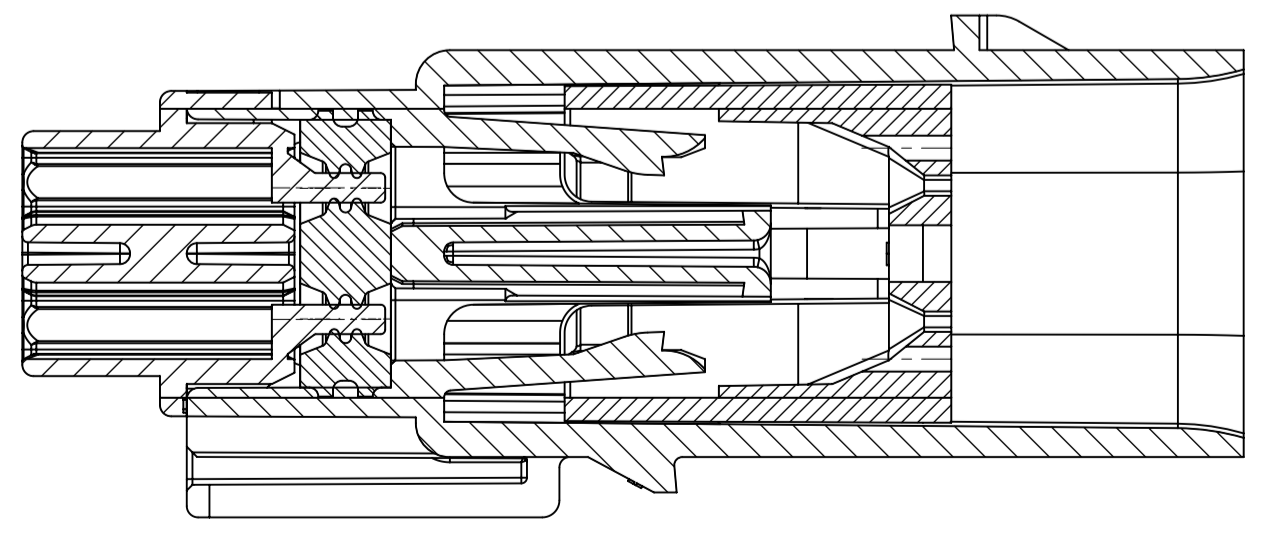
| DESCRIPTION | CHARTED DIMENSION | | | | |
|----------------|-------------------|------|-------|-------|-------|
| | A | B | C | D | E |
| 2X2 | 15.54 | 1.75 | 24.40 | 54.45 | 22.23 |
| 2X3 STANDARD | 19.04 | 3.50 | 26.21 | 54.45 | 22.23 |
| 2X3 LENGTHENED | 19.04 | 3.50 | 26.21 | 56.45 | 22.23 |
| 2X4 | 22.54 | 1.75 | 27.21 | 54.45 | 22.23 |
| 2X6 | 29.54 | 1.75 | 32.27 | 54.45 | 22.23 |
| 2X8 | 36.54 | 1.75 | 38.88 | 54.45 | 22.23 |
| 2X10 | 43.64 | 1.75 | 45.65 | 54.45 | 22.05 |



OPTIONAL LASER MARKING ON THIS SURFACE SEE NOTE 3g.

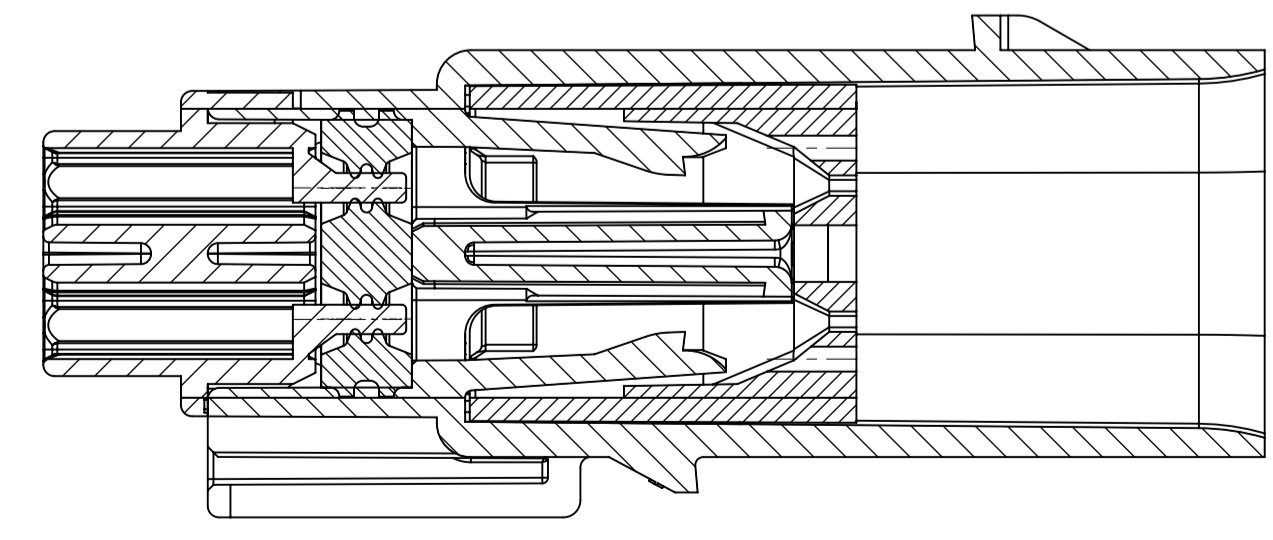


Partial U-U
SCALE 3:1



PRIMARY LOCK REINFORCEMENT (PLR) SHOWN IN PRE-STAGED POSITION

SECTION W-W



PRIMARY LOCK REINFORCEMENT (PLR) SHOWN IN FINAL-LOCK POSITION

SECTION V-V

| | | | | |
|--|---|--|--|---|
| FUNCTIONAL SYMBOLS FA = 0 FE = 0 FP = 0 DIVISIONAL SYMBOLS | THIS DRAWING CONTAINS INFORMATION THAT IS PROPRIETARY TO MOLEX ELECTRONIC TECHNOLOGIES, LLC AND SHOULD NOT BE USED WITHOUT WRITTEN PERMISSION | | CURRENT REV DESC: | |
| | DIMENSION UNITS mm | SCALE 3:1 | GENERAL TOLERANCES (UNLESS SPECIFIED) ANGULAR TOL ± 1° 4 PLACES ± 3 PLACES ± 2 PLACES ± 0.100 1 PLACE ± 0.20 0 PLACES ± | |
| DRAFT WHERE APPLICABLE MUST REMAIN WITHIN DIMENSIONS | | THIRD ANGLE PROJECTION | DRAWING A1-SIZE | SERIES 33482 |
| STATUS: Production DRWN: Yann Chen CHK'D: Yu Chao Fu APPR: Elvis Song | | 2023-09-26 2023-09-26 2023-09-27 | DOCUMENT NUMBER SD-33482-0001 | DOC TYPE DOC PART REVISION PSD 001 E3 |
| MATERIAL NUMBER GENERAL MARKET | | CUSTOMER 5 OF 11 | | |

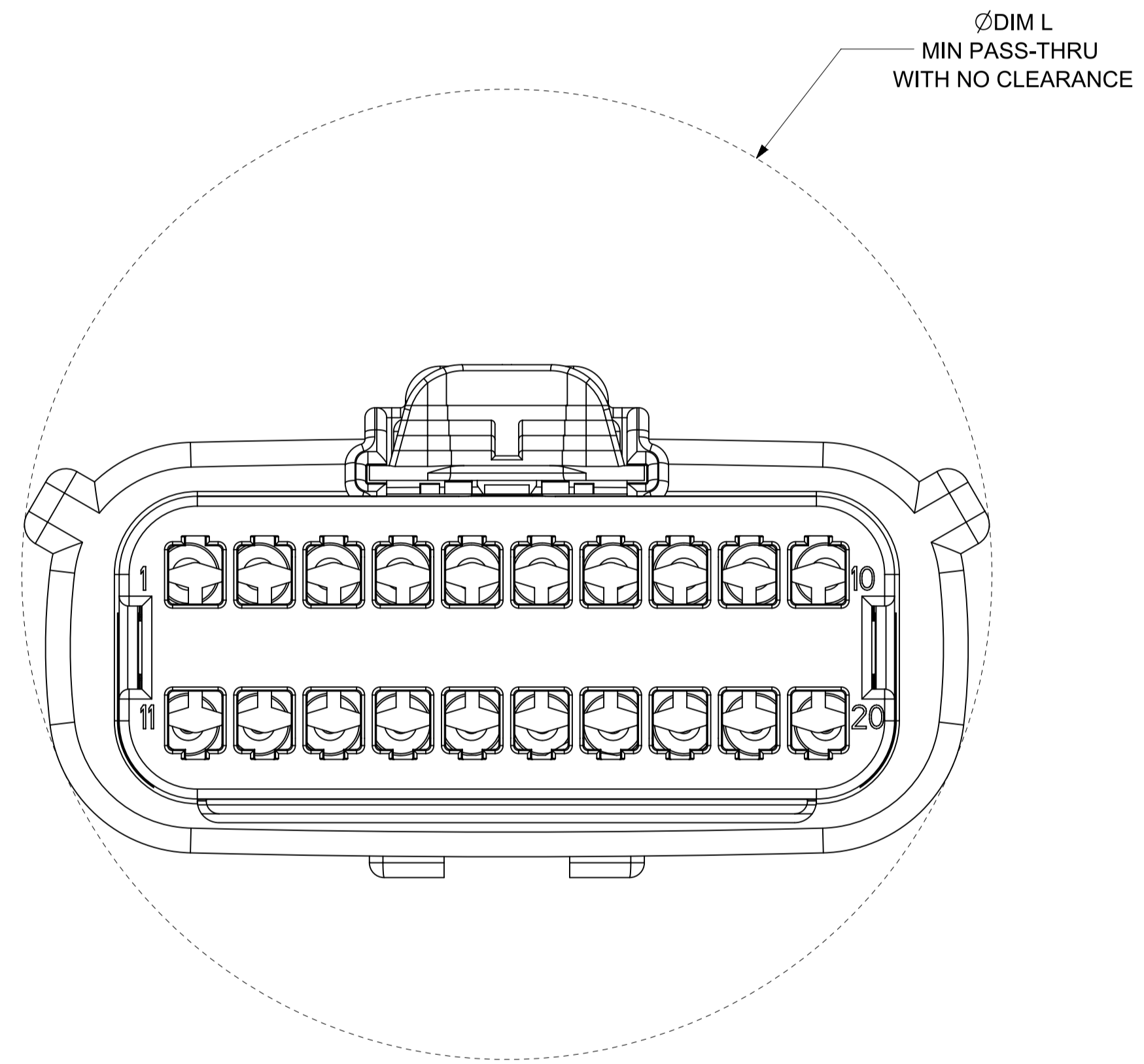
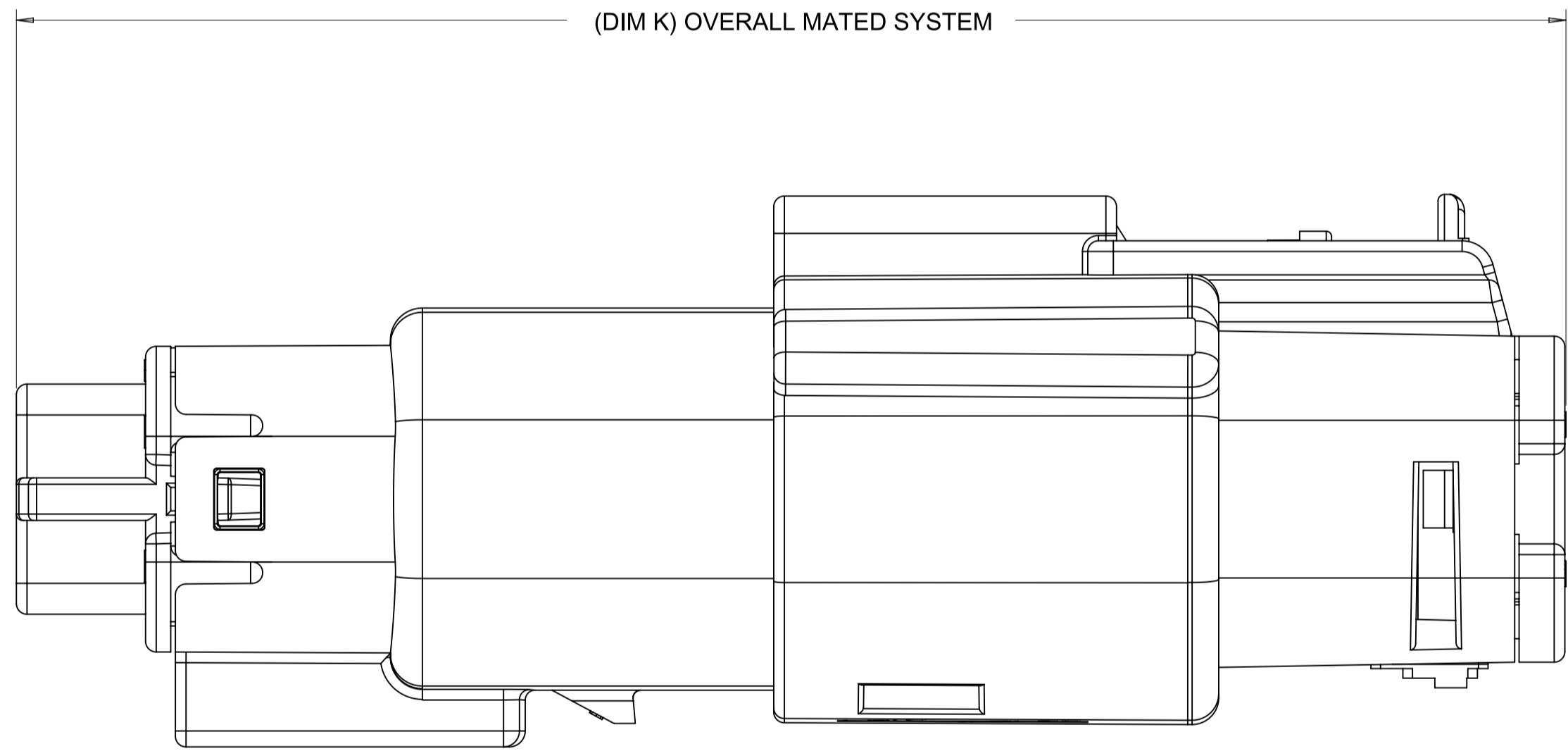
molex

MX150 BLADE
DUAL ROW SEALED ASSEMBLY

PRODUCT SALES DRAWING

| |
|-------------------|
| SHEET DESCRIPTION |
| SYSTEM PACKAGING |

| CHARTED DIMENSION | | | | |
|-------------------|---------------------|--------------------------|------------|-------|
| CKT | BLADE CONFIGURATION | RECEPTACLE CONFIGURATION | DIMENSIONS | |
| | | | K | L |
| 2X2 | STANDARD | W/O CLIPSLOT | 72.78 | 28.00 |
| | | W/ CLIPSLOT | 72.78 | 28.50 |
| | | LENGTHENED | 77.21 | 28.00 |
| 2X3 | STANDARD | W/O CLIPSLOT | 72.78 | 28.00 |
| | | W/ CLIPSLOT | | 30.50 |
| | LENGTHENED | W/O CLIPSLOT | 74.79 | 28.00 |
| | | W/ CLIPSLOT | | 30.50 |
| 2X4 | STANDARD | W/O CLIPSLOT | 72.78 | 29.50 |
| | | W/ CLIPSLOT | | 31.50 |
| 2X6 | STANDARD | W/O CLIPSLOT | 72.79 | 35.58 |
| | | W/ CLIPSLOT | | |
| 2X8 | STANDARD | W/O CLIPSLOT | 72.67 | 42.25 |
| | | W/ CLIPSLOT | | |
| 2X10 | STANDARD | STANDARD | 72.78 | 49.05 |

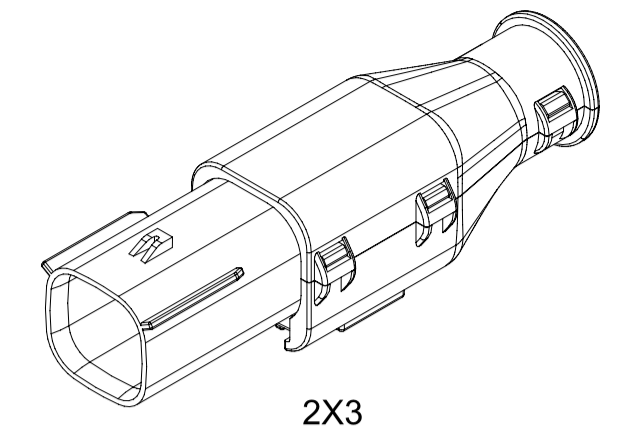


| | | | | | |
|---|--|---|--|--|--|
| FUNCTIONAL SYMBOLS $\frac{F}{A} = 0$ $\frac{F}{C} = 0$ $\frac{F}{P} = 0$ DIVISIONAL SYMBOLS | THIS DRAWING CONTAINS INFORMATION THAT IS PROPRIETARY TO MOLEX ELECTRONIC TECHNOLOGIES, LLC AND SHOULD NOT BE USED WITHOUT WRITTEN PERMISSION DIMENSION UNITS: mm SCALE: 4:1 GENERAL TOLERANCES (UNLESS SPECIFIED) ANGULAR TOL: $\pm 1^\circ$ 4 PLACES: \pm 3 PLACES: \pm 2 PLACES: ± 0.100 1 PLACE: ± 0.20 0 PLACES: \pm DRAFT WHERE APPLICABLE MUST REMAIN WITHIN DIMENSIONS | CURRENT REV DESC: STATUS: Production DRWN: Yann Chen CHK'D: Yu Chao Fu APPR: Elvis Song 2023-09-26 2023-09-26 2023-09-27 | | molex MX150 BLADE DUAL ROW SEALED ASSEMBLY PRODUCT SALES DRAWING | DOCUMENT NUMBER: SD-33482-0001 DOC TYPE: PSD DOC PART: 001 REVISION: E3 |
| | DRAFTING: A1-SIZE SERIES: 33482 MATERIAL NUMBER: GENERAL MARKET CUSTOMER: GENERAL MARKET SHEET NUMBER: 6 OF 11 | | | | |

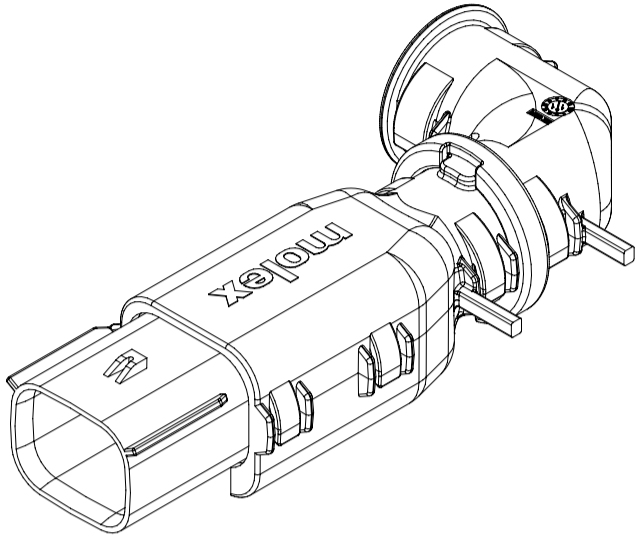
SHEET DESCRIPTION
BACKSHELL NOTES

BACKSHELL NOTES: VALID UNLESS OTHERWISE SPECIFIED

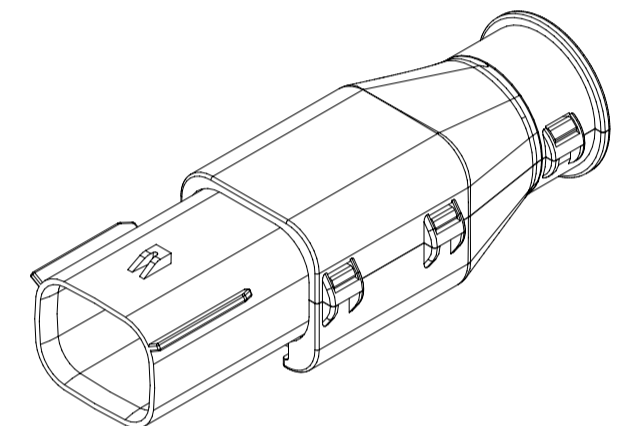
1. GENERAL:
a. APPLICATION SPECIFICATION SEE: AS-34951-001
- DESIGNED TO MATE WITH BLADE SEALED ASSEMBLY SPECIFIED IN MOLEX DRAWING SD-33482-0001.
 - SYSTEM TO BE USED WITH WIRE WITHIN DIAMETER RANGE OF 1.2mm TO 2.69mm.
 - COMPONENTS ARE OPTIONAL AND MUST BE PURCHASED SEPERATELY.
 - DESIGN IS OWNED BY SCHLEMMER FOR SCHLEMMER BACKSHELL.
 - DESIGN IS OWNED BY MOLEX FOR MOLEX BACKSHELL.
 - 90° ADAPTOR DESIGN IS OWNED BY MOLEX.
 - FOR ADDITIONAL INFORMATION SEE THE BACKSHELL COMPONENT DRAWING SD-34950-0001.



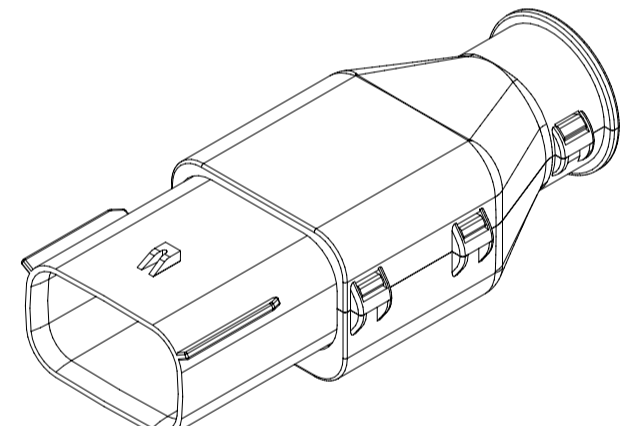
2X3



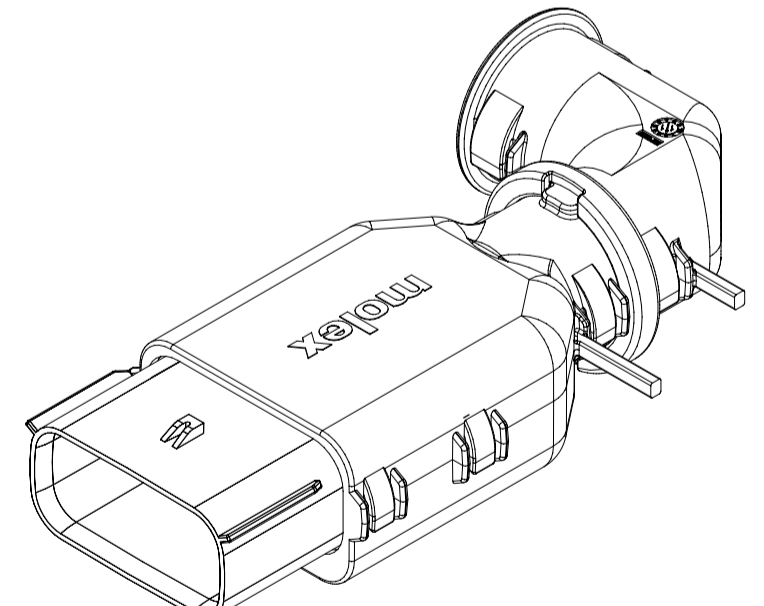
2X4



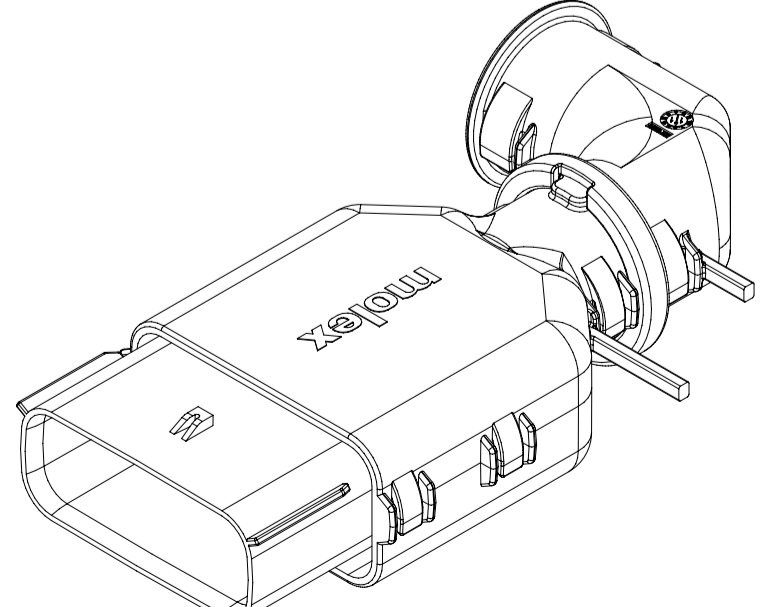
2X4



2X6



2X8



2X10

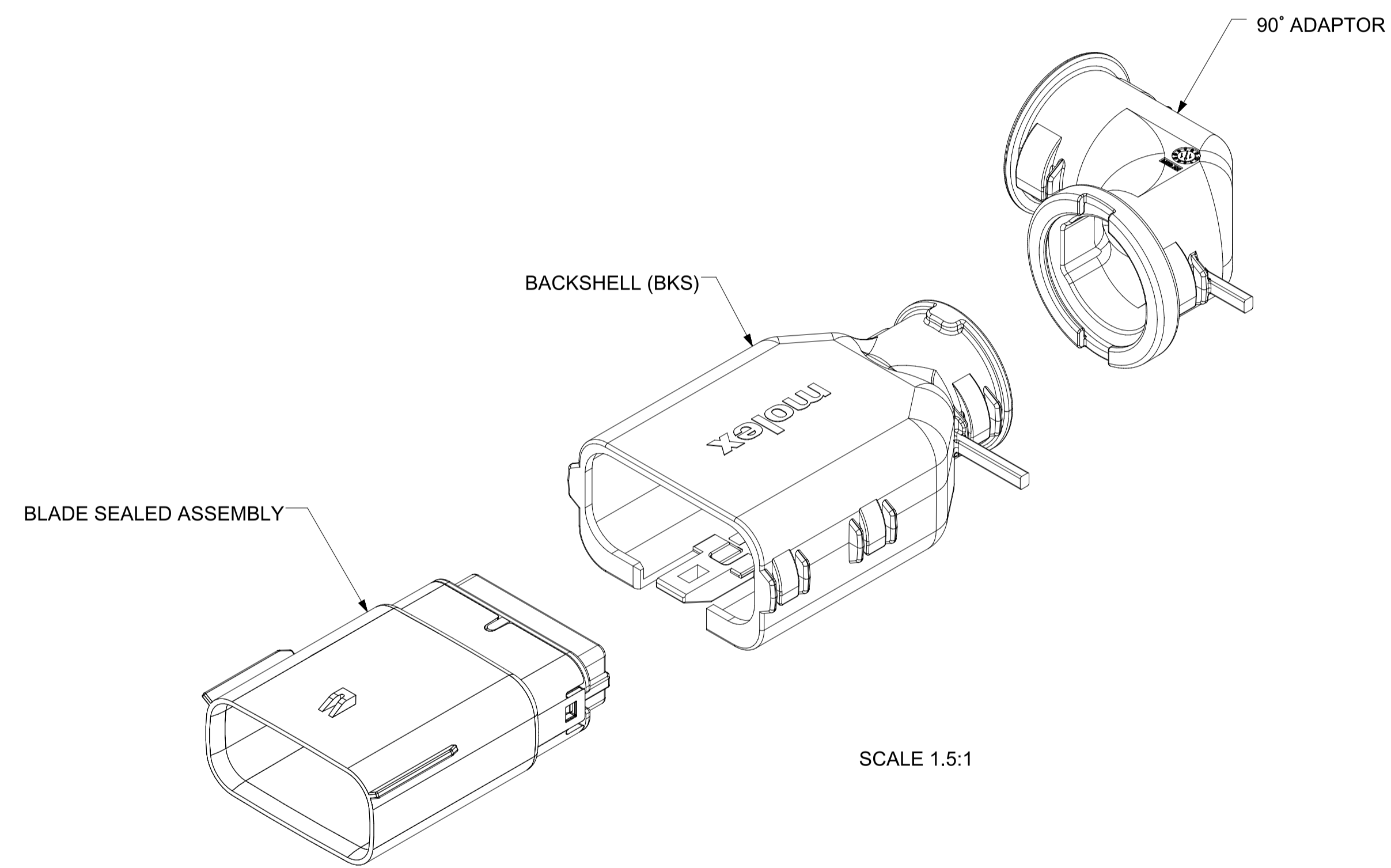
BACKSHELL CUSTOMER MODEL NUMBER LEGEND

34950-XXXX

- CUSTOMER MODEL COMPONENTS
- 0 - SCHLEMMER BACKSHELL ONLY
 - 1 - SCHLEMMER BACKSHELL & MX150 HOUSING KEY A ASSEMBLY
 - 2 - SCHLEMMER BACKSHELL & MX150 HOUSING KEY B ASSEMBLY
 - 3 - SCHLEMMER BACKSHELL & MX150 HOUSING KEY C ASSEMBLY
 - 4 - SCHLEMMER BACKSHELL & MX150 HOUSING KEY D ASSEMBLY
 - 5 - MOLEX BACKSHELL ONLY
 - 6 - MOLEX BACKSHELL & MX150 HOUSING KEY A ASSEMBLY
 - 7 - MOLEX BACKSHELL & MX150 HOUSING KEY B ASSEMBLY
 - 8 - MOLEX BACKSHELL & MX150 HOUSING KEY C ASSEMBLY
 - 9 - MOLEX BACKSHELL & MX150 HOUSING KEY D ASSEMBLY

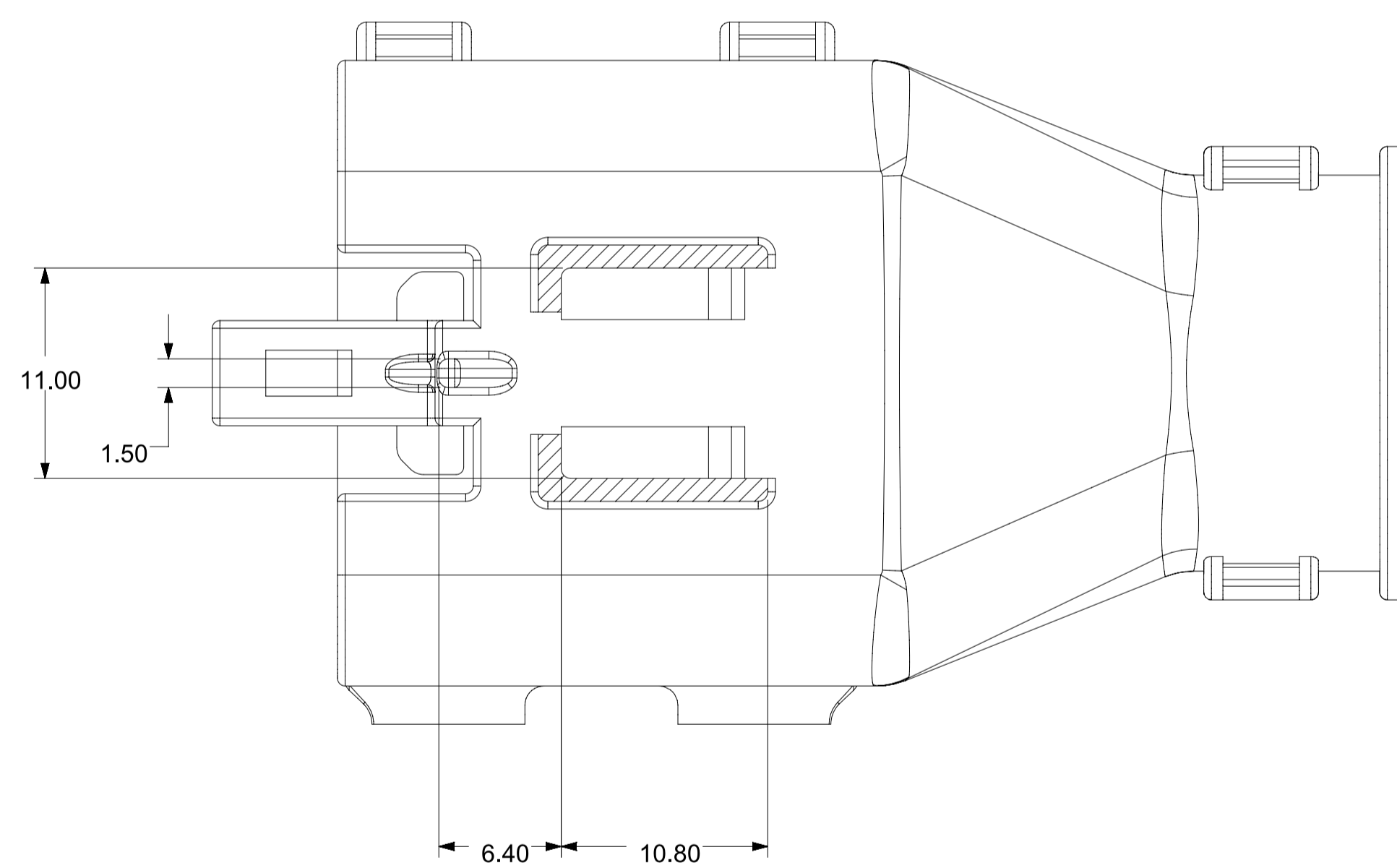
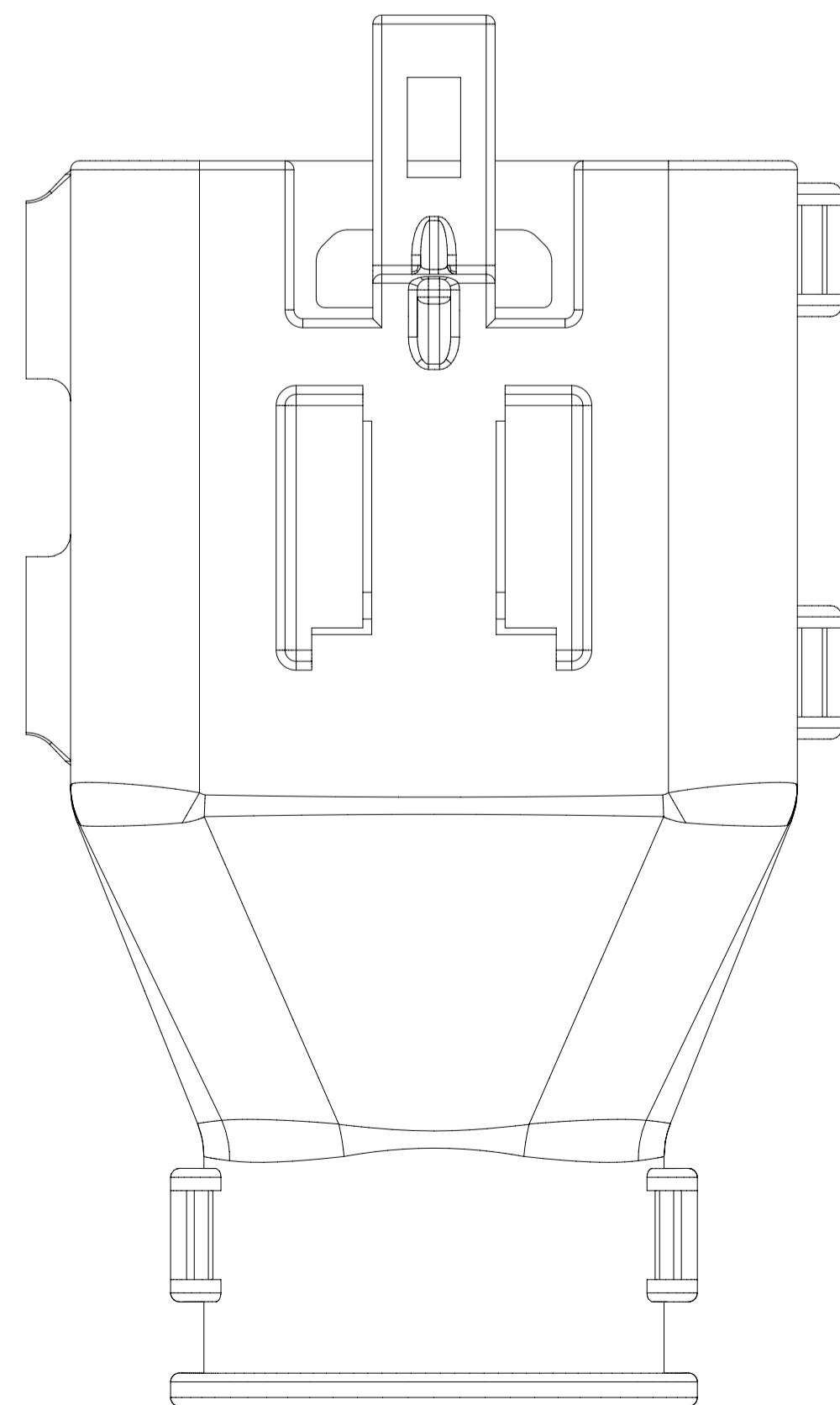
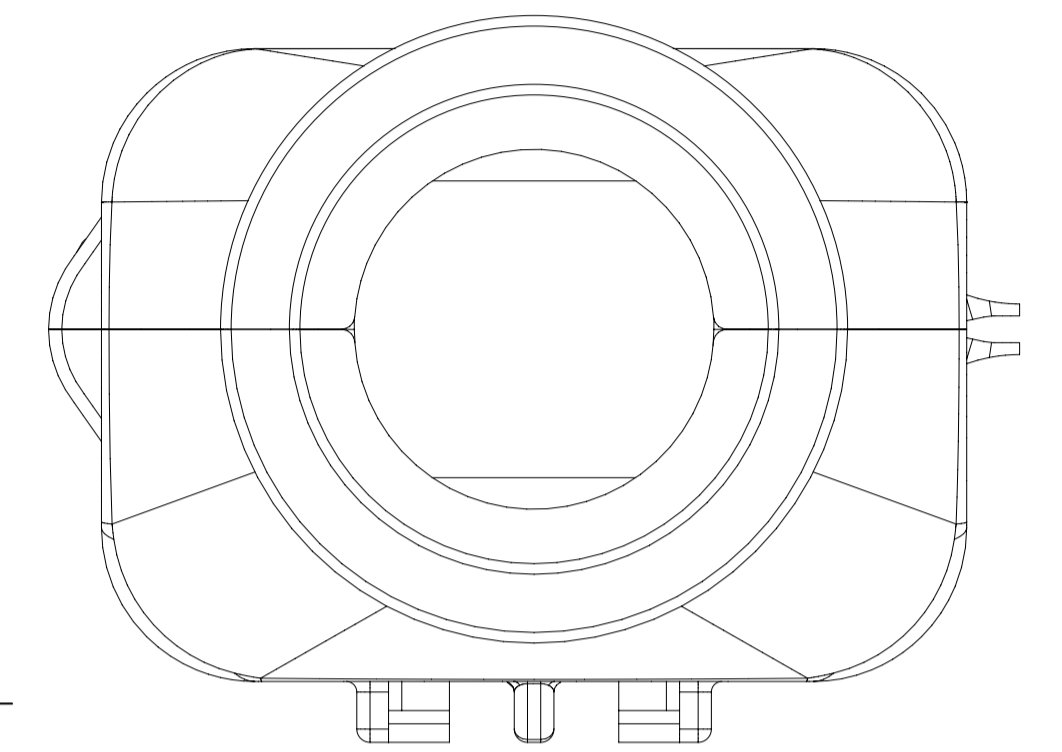
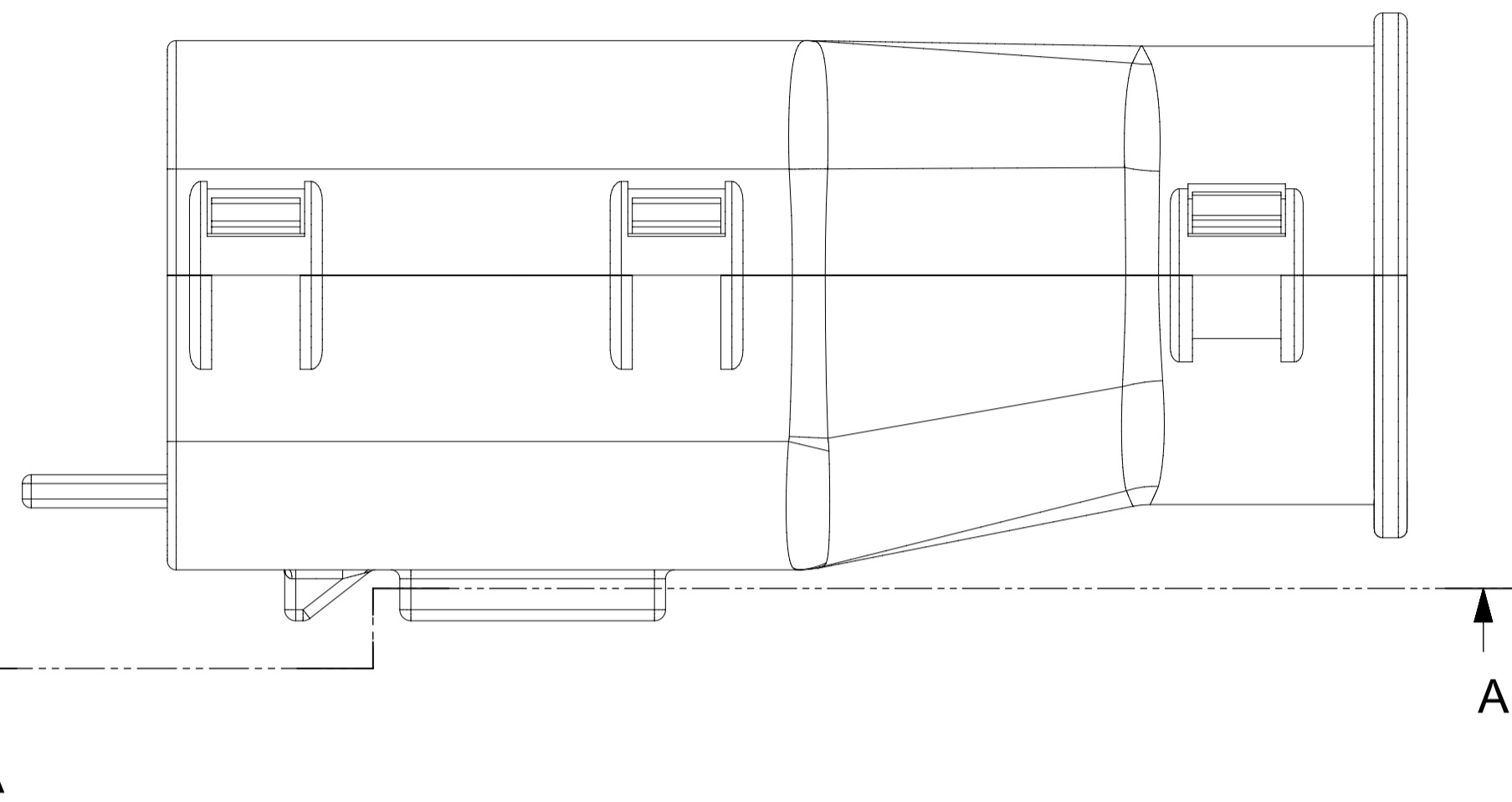
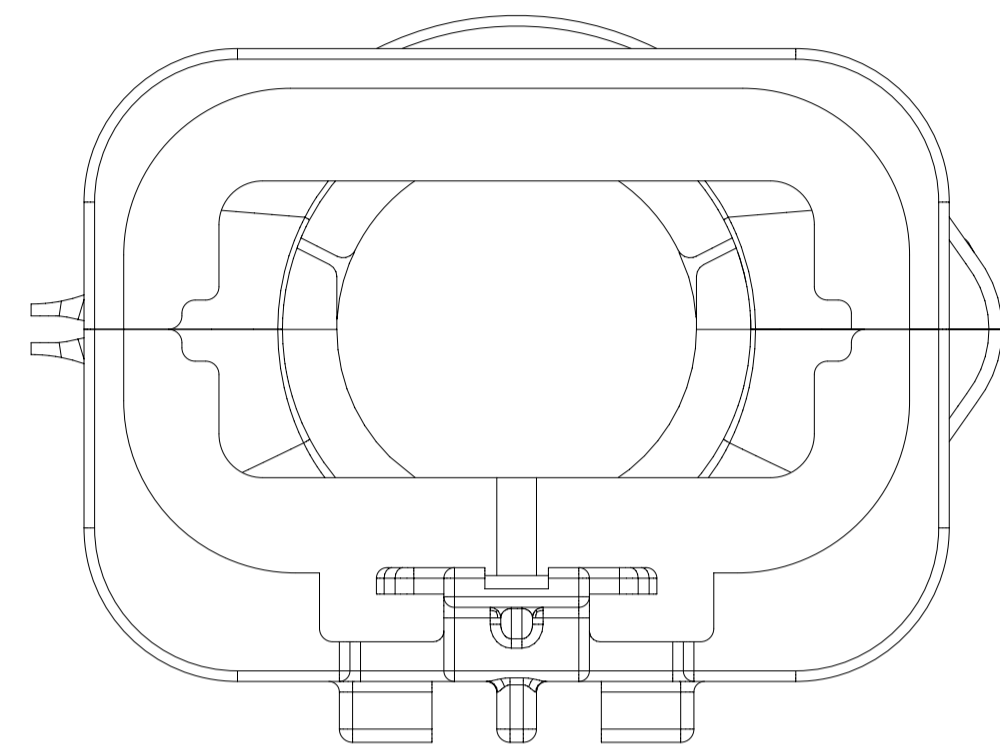
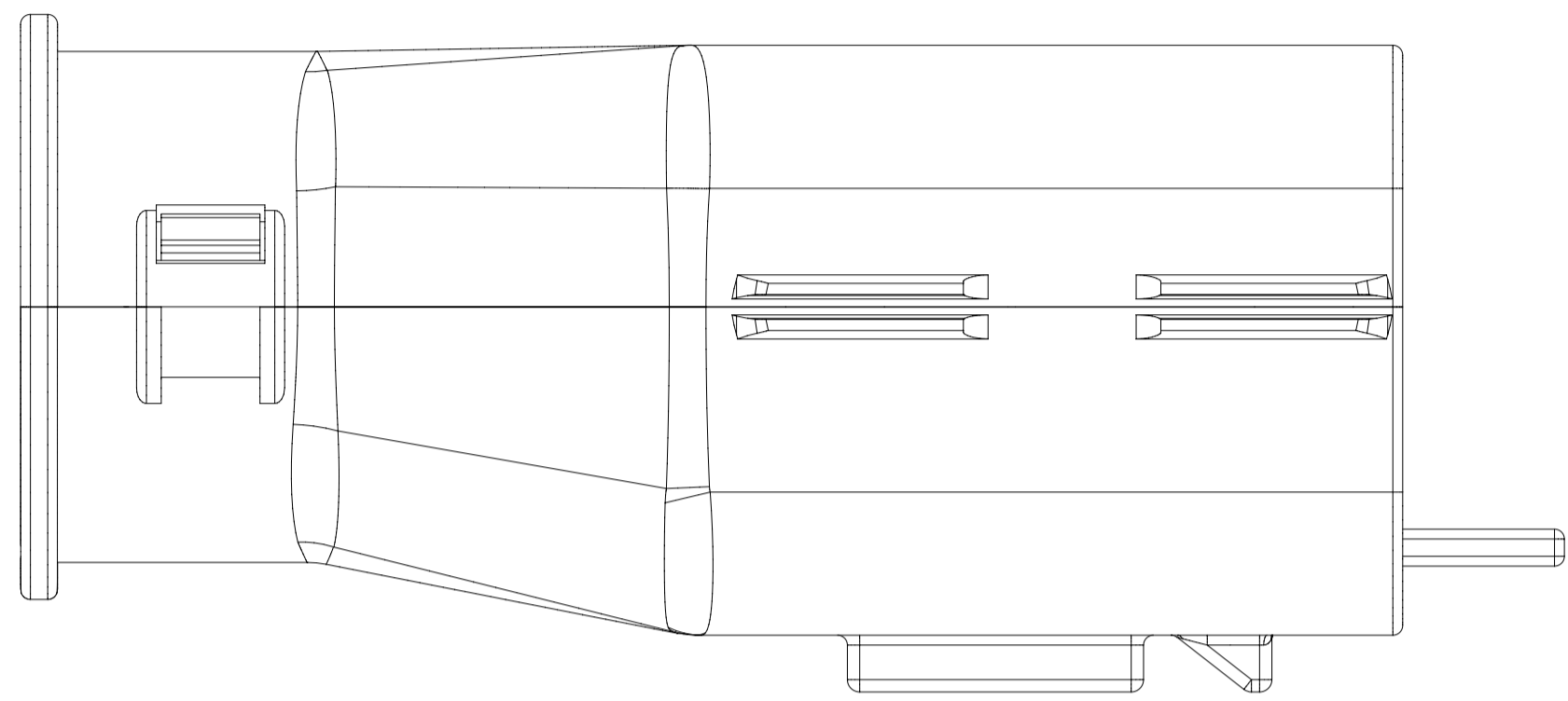
- BACKSHELL FEATURES
- 1 - WITH RIBS
 - 2 - WITHOUT RIBS
 - 3 - 90° ADAPTOR

MX150 CIRCUIT SIZE 04, 06, 08, 12, 16, 20



| | | | | | |
|---|--|---|---|--|--|
| FUNCTIONAL SYMBOLS $\frac{E}{A} = 0$ $\frac{E}{C} = 0$ $\frac{E}{P} = 0$ DIVISIONAL SYMBOLS | THIS DRAWING CONTAINS INFORMATION THAT IS PROPRIETARY TO MOLEX ELECTRONIC TECHNOLOGIES, LLC AND SHOULD NOT BE USED WITHOUT WRITTEN PERMISSION DIMENSION UNITS: mm SCALE: 1.5:1 | CURRENT REV DESC: STATUS: Production DRWN: Yann Chen CHK'D: Yu Chao Fu APPR: Elvis Song | | | |
| | GENERAL TOLERANCES (UNLESS SPECIFIED) ANGULAR TOL: $\pm 1^\circ$ 4 PLACES: \pm 3 PLACES: \pm 2 PLACES: ± 0.100 1 PLACE: ± 0.20 0 PLACES: \pm | 2023-09-26 2023-09-26 2023-09-27 | | | |
| | DRAFT WHERE APPLICABLE MUST REMAIN WITHIN DIMENSIONS THIRD ANGLE PROJECTION | DRAWING: A1-SIZE SERIES: 33482 | MATERIAL NUMBER: _____ CUSTOMER: GENERAL MARKET SHEET NUMBER: 7 OF 11 | | |
| | PRODUCT SALES DRAWING | | | | |

SHEET DESCRIPTION
SCHLEMMER BACKSHELL



SECTION A-A

| | | | | | | | | |
|---|---|------------------------|--|--------|-----------------|---|--------------|--|
| FUNCTIONAL SYMBOLS $\frac{F}{A} = 0$ $\frac{F}{C} = 0$ $\frac{F}{P} = 0$ DIVISIONAL SYMBOLS | THIS DRAWING CONTAINS INFORMATION THAT IS PROPRIETARY TO MOLEX ELECTRONIC TECHNOLOGIES, LLC AND SHOULD NOT BE USED WITHOUT WRITTEN PERMISSION | | CURRENT REV DESC: STATUS: Production DRWN: Yann Chen CHK'D: Yu Chao Fu APPR: Elvis Song | | | 2023-09-26 2023-09-26 2023-09-27 | | |
| | DIMENSION UNITS | SCALE | | | | | | |
| | mm | 3.5:1 | SD-33482-0001 | PSD | 001 | E3 | | |
| | GENERAL TOLERANCES (UNLESS SPECIFIED) | | PRODUCT SALES DRAWING | | | | | |
| ANGULAR TOL \pm 1' | | CUSTOMER | | | | | | |
| 4 PLACES \pm | | GENERAL MARKET | | | | | | |
| 3 PLACES \pm | | SHEET NUMBER | | | | | | |
| 2 PLACES \pm 0.100 | | 8 OF 11 | | | | | | |
| 1 PLACE \pm 0.20 | | | | | | | | |
| 0 PLACES \pm | | | | | | | | |
| DRAFT WHERE APPLICABLE MUST REMAIN WITHIN DIMENSIONS | | THIRD ANGLE PROJECTION | DRAWING | SERIES | MATERIAL NUMBER | CUSTOMER | SHEET NUMBER | |
| | | | A1-SIZE | 33482 | | | | |

molex

MX150 BLADE
DUAL ROW SEALED ASSEMBLY

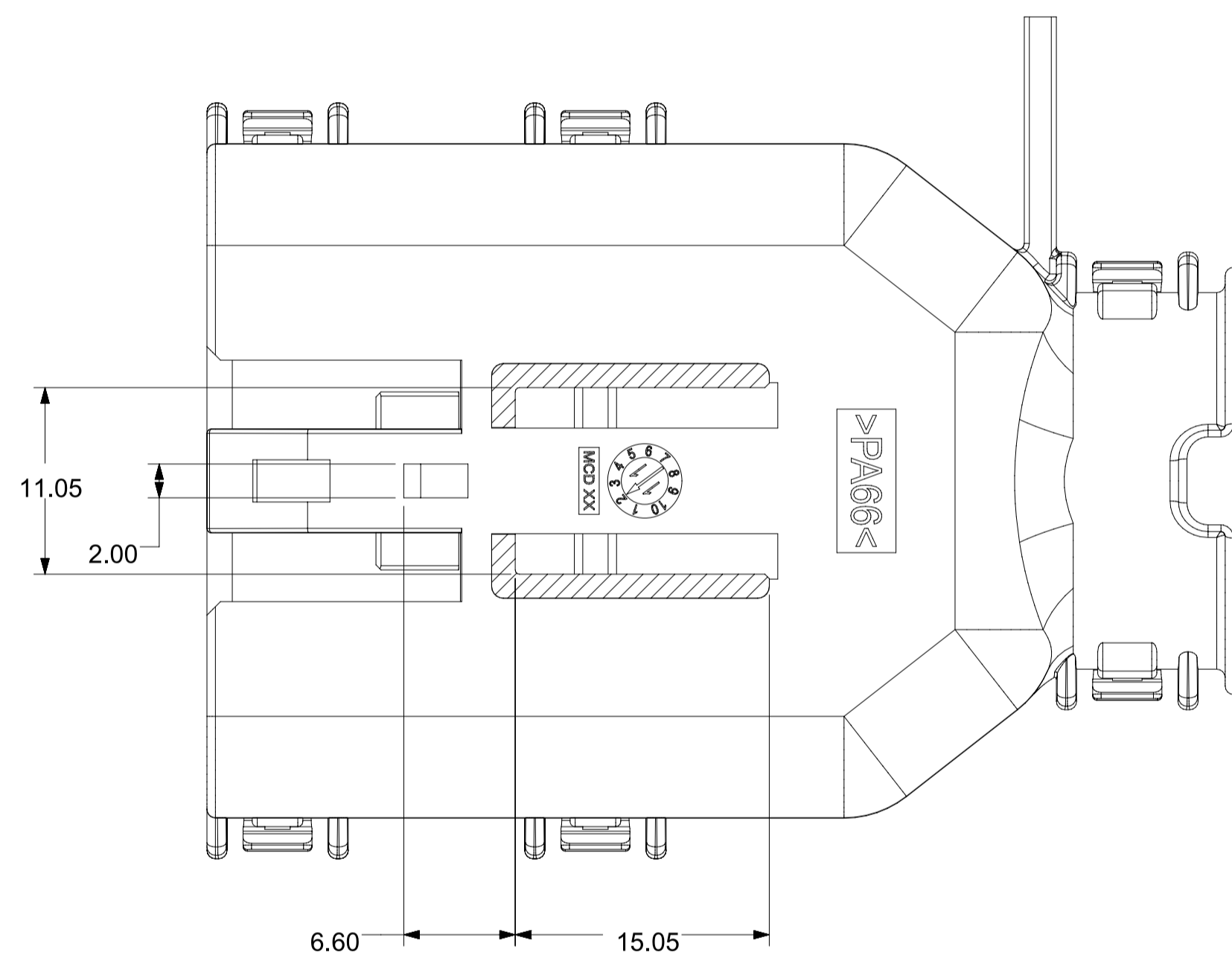
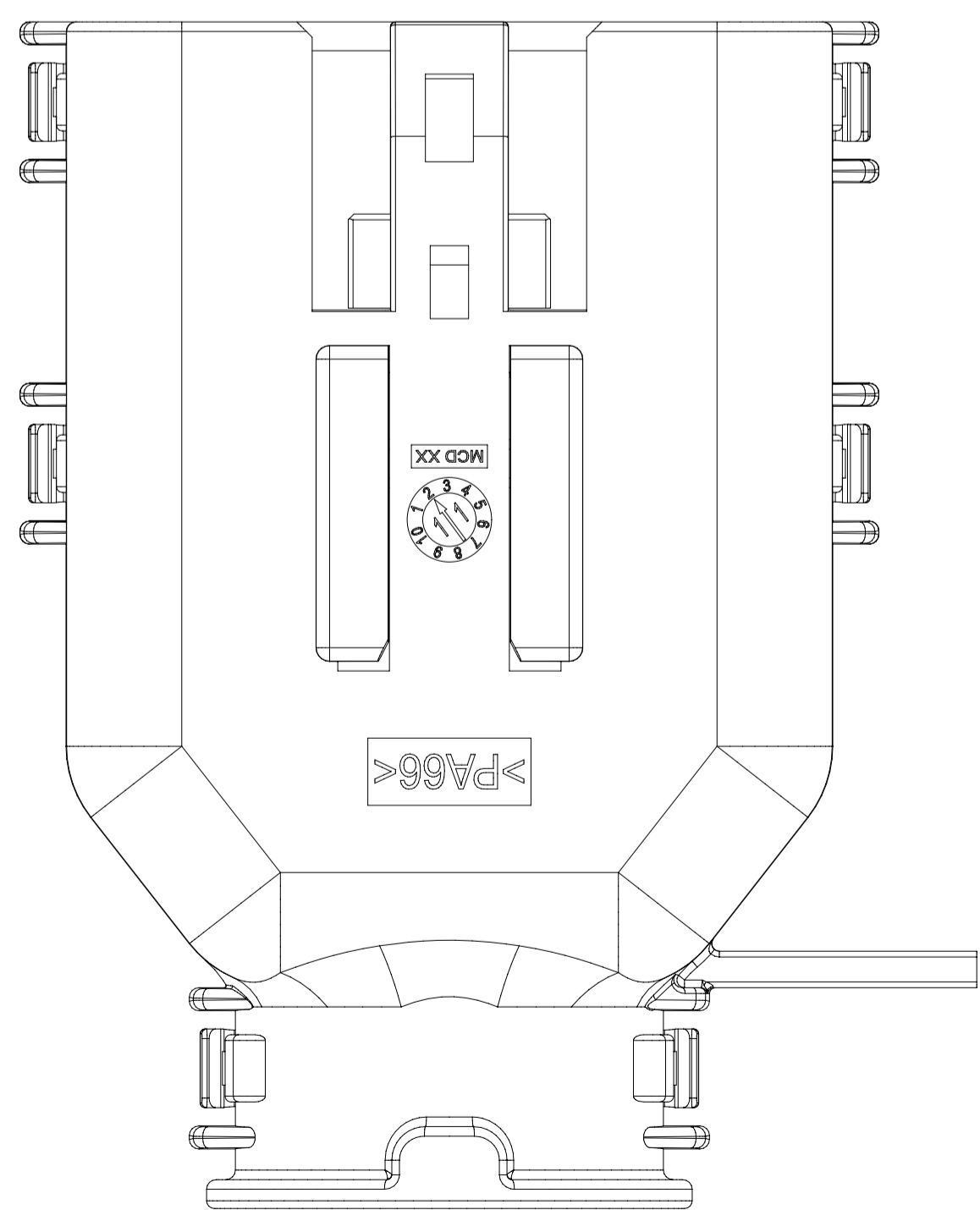
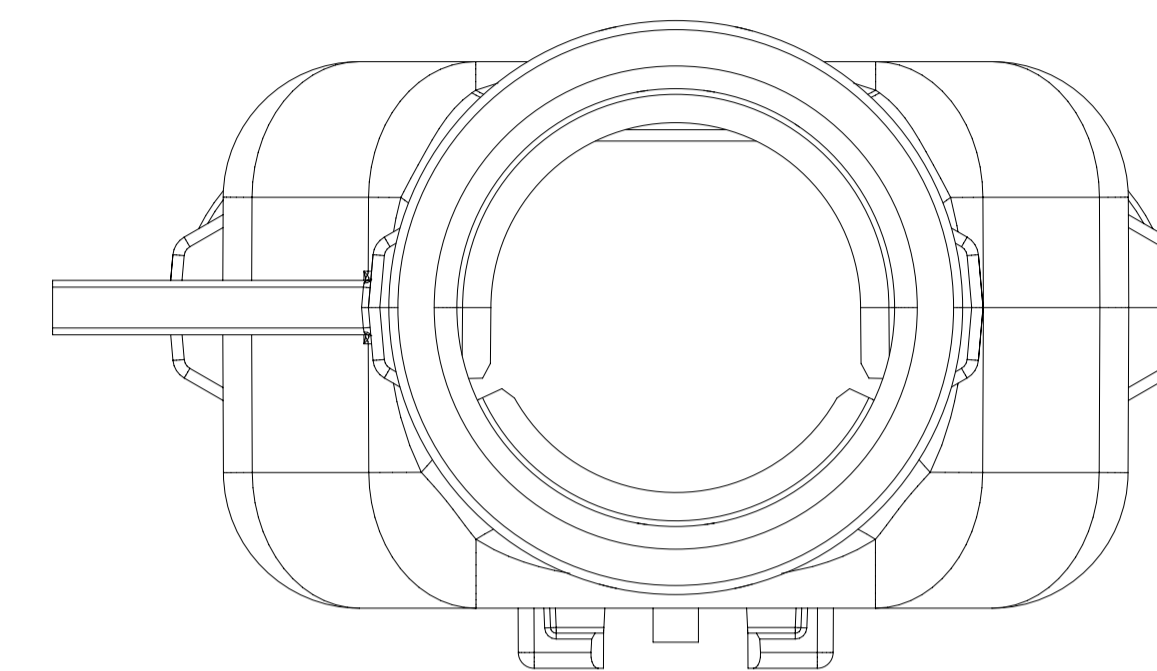
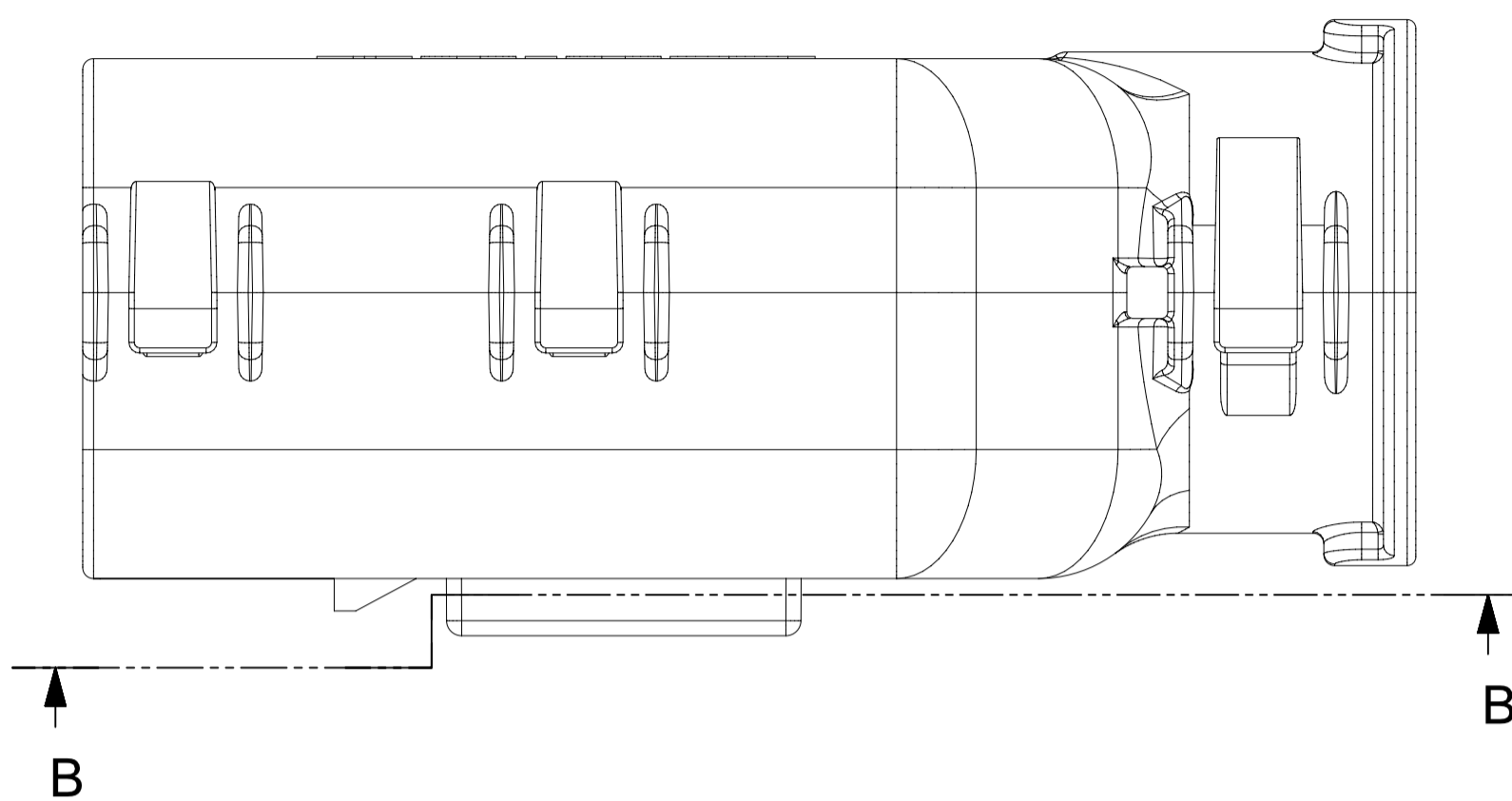
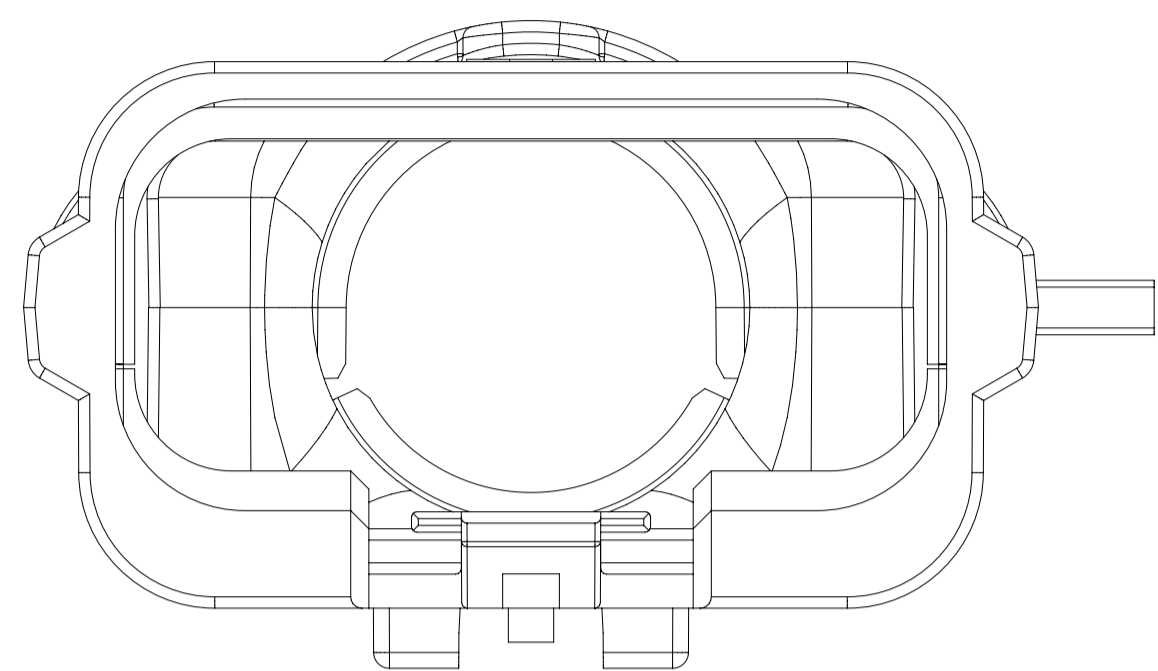
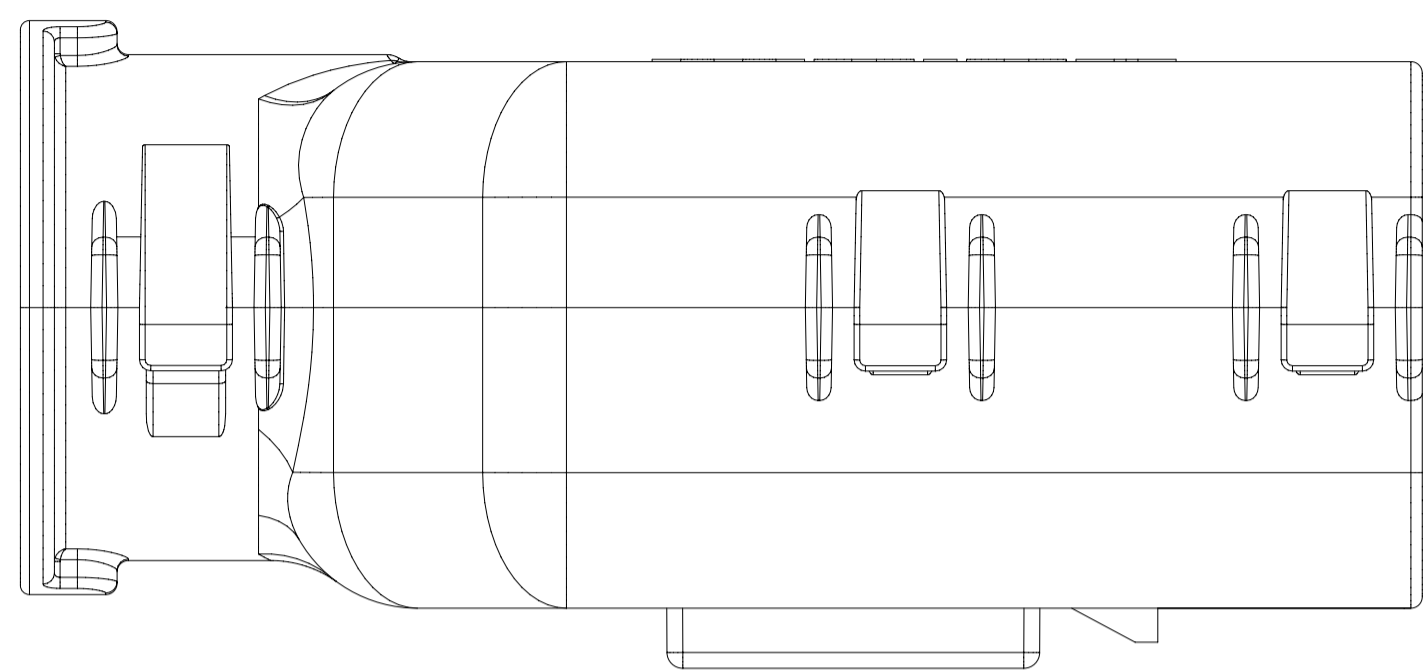
PRODUCT SALES DRAWING

DOCUMENT NUMBER: SD-33482-0001 | DOC TYPE: PSD | DOC PART: 001 | REVISION: E3

CUSTOMER: GENERAL MARKET

SHEET NUMBER: 8 OF 11

SHEET DESCRIPTION
MOLEX BACKSHELL

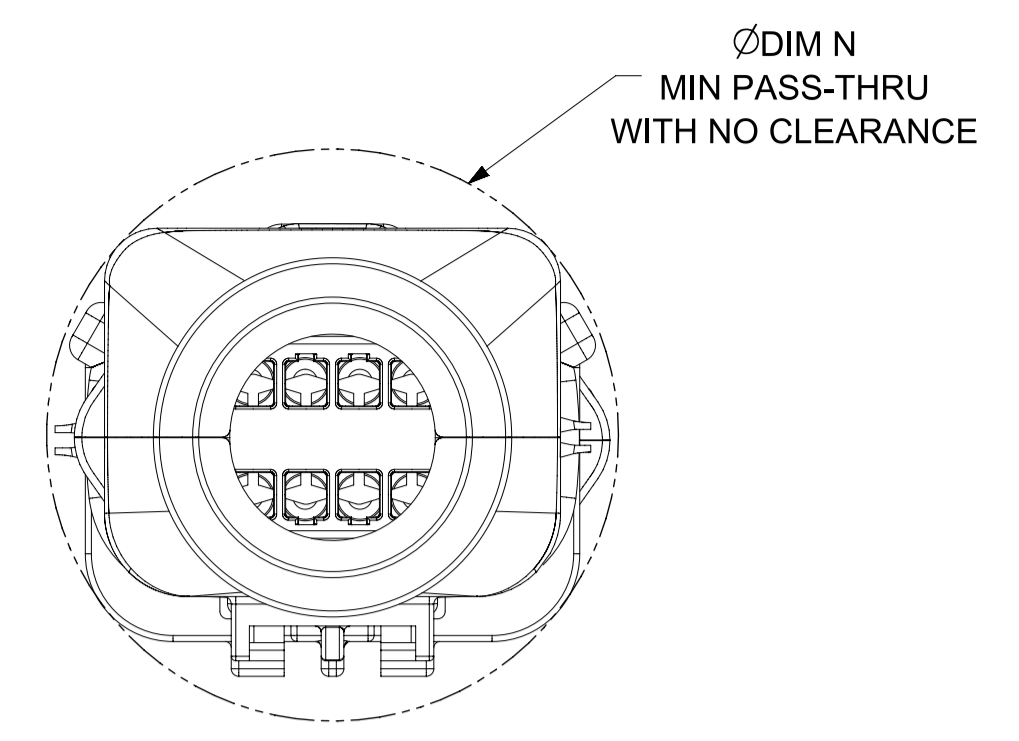
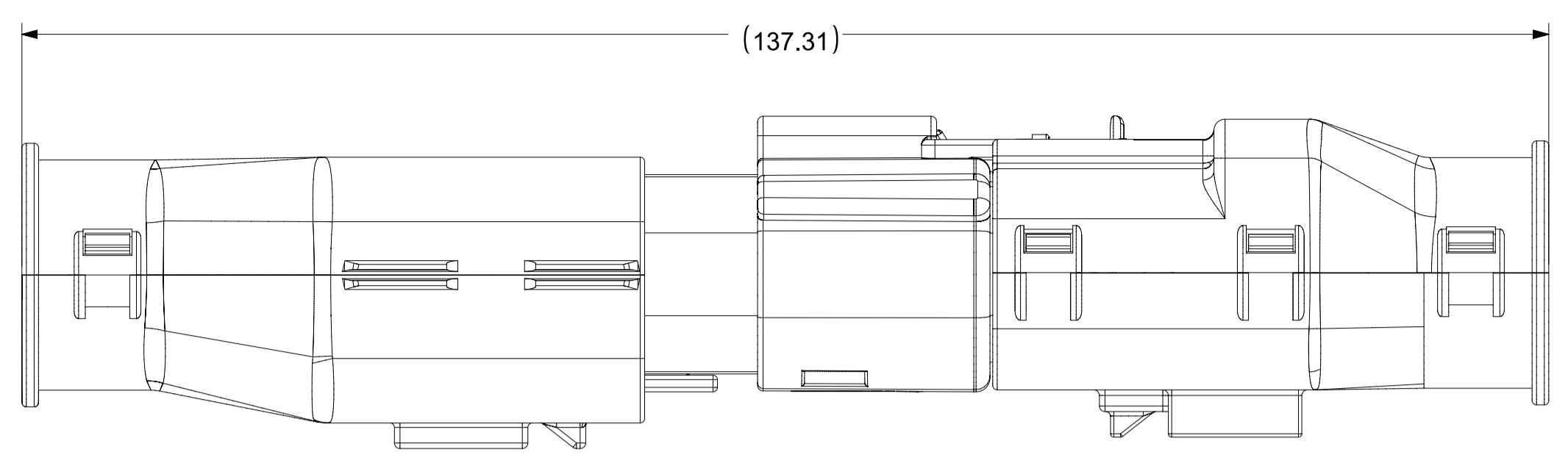


SECTION B-B

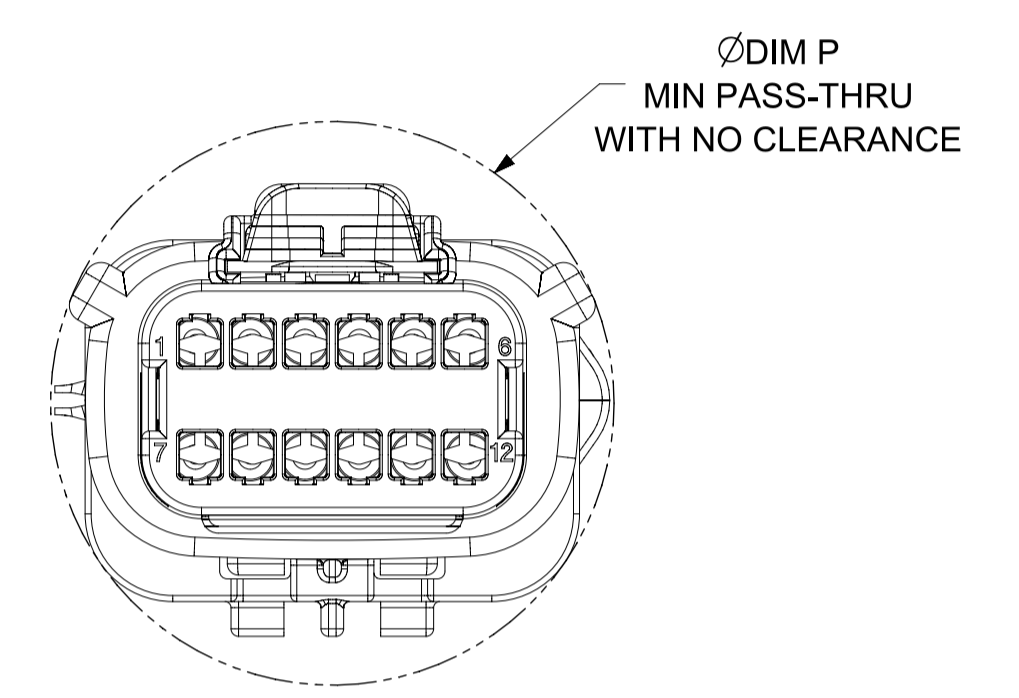
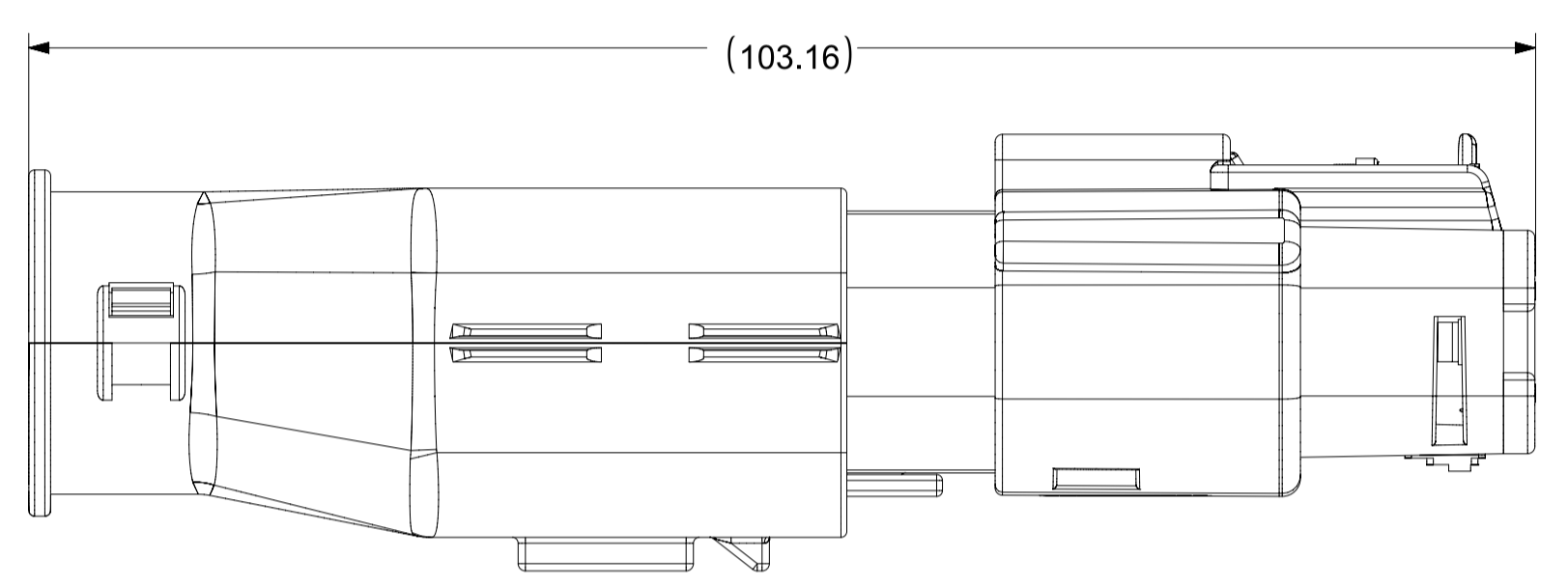
| | | | | | | | | |
|---|---|-----------------------|--|--|--|--|--|--|
| FUNCTIONAL SYMBOLS $\frac{E}{A} = 0$ $\frac{E}{C} = 0$ $\frac{E}{D} = 0$ DIVISIONAL SYMBOLS | THIS DRAWING CONTAINS INFORMATION THAT IS PROPRIETARY TO MOLEX ELECTRONIC TECHNOLOGIES, LLC AND SHOULD NOT BE USED WITHOUT WRITTEN PERMISSION | | CURRENT REV DESC: STATUS: Production DRWN: Yann Chen CHK'D: Yu Chao Fu APPR: Elvis Song | | | | | |
| | DIMENSION UNITS | SCALE | | | | | | |
| | mm | 3:1 | SD-33482-0001 | | | | | |
| | GENERAL TOLERANCES (UNLESS SPECIFIED) | | DOC TYPE DOC PART REVISION | | | | | |
| ANGULAR TOL ± 1° | | PSD 001 E3 | | | | | | |
| 4 PLACES ± | | PRODUCT SALES DRAWING | | | | | | |
| 3 PLACES ± | | SERIES | | | | | | |
| 2 PLACES ± 0.100 | | 33482 | | | | | | |
| 1 PLACE ± 0.20 | | MATERIAL NUMBER | | | | | | |
| 0 PLACES ± | | CUSTOMER | | | | | | |
| DRAFT WHERE APPLICABLE MUST REMAIN WITHIN DIMENSIONS | | GENERAL MARKET | | | | | | |
| THIRD ANGLE PROJECTION | | SHEET NUMBER | | | | | | |
| | | 9 OF 11 | | | | | | |
| DRAWING | | A1-SIZE | | | | | | |

SHEET DESCRIPTION
SCHLEMMER BACKSHELL CONFIGURATIONS

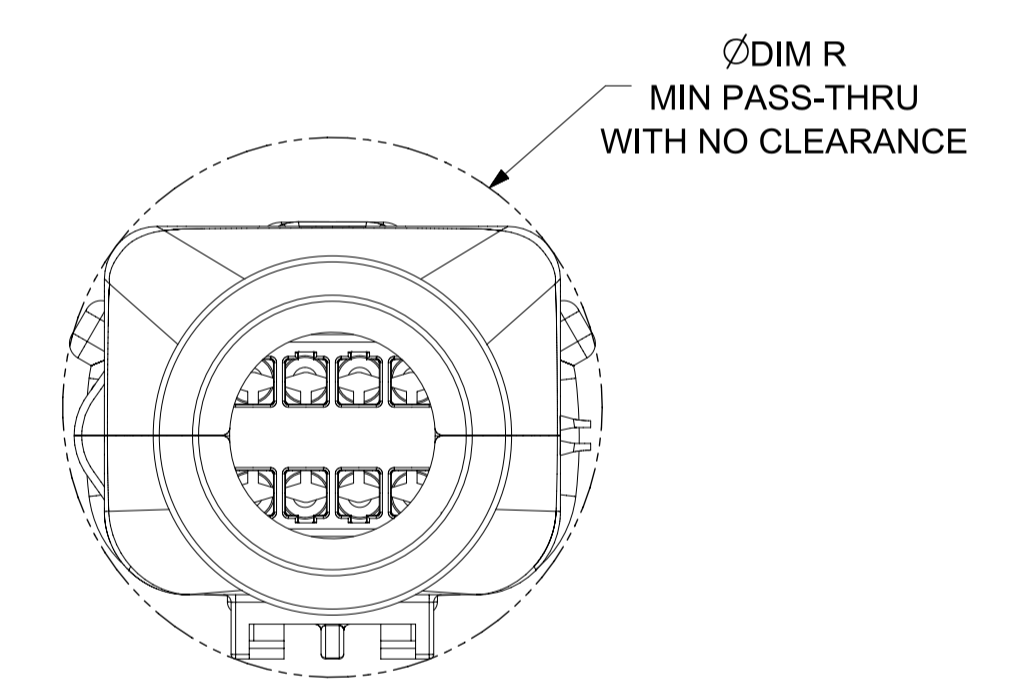
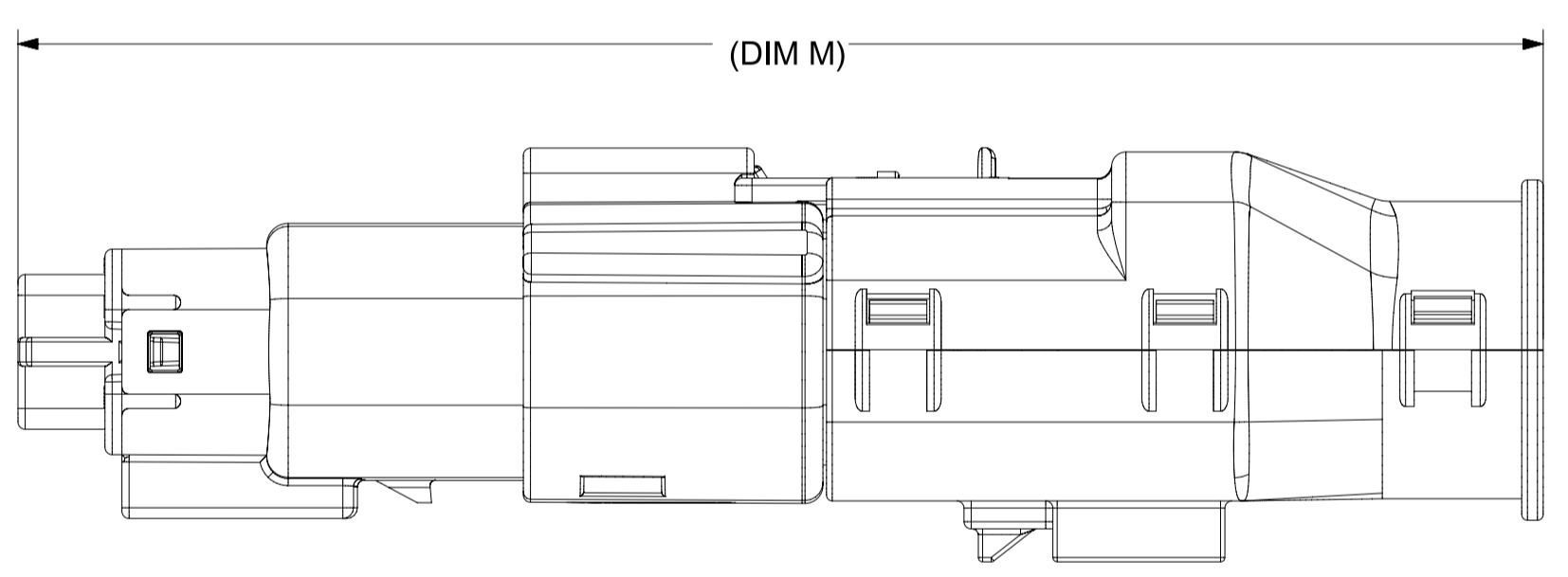
| CKT | BLADE CONFIGURATION | RECEPTACLE CONFIGURATION | DIMENSIONS | | | | |
|-----|---------------------|--------------------------|------------|-------|-------|-------|-------|
| | | | M | N | P | R | T |
| 2X3 | STANDARD | STANDARD | 106.83 | 32.75 | 31.75 | 29.00 | 29.50 |
| | LENGTHENED | | 108.71 | | | | |
| 2X4 | STANDARD | STANDARD | 106.83 | 33.50 | 31.90 | 30.70 | 30.70 |
| 2X6 | STANDARD | STANDARD | 106.83 | 37.84 | 37.27 | 35.83 | 36.83 |



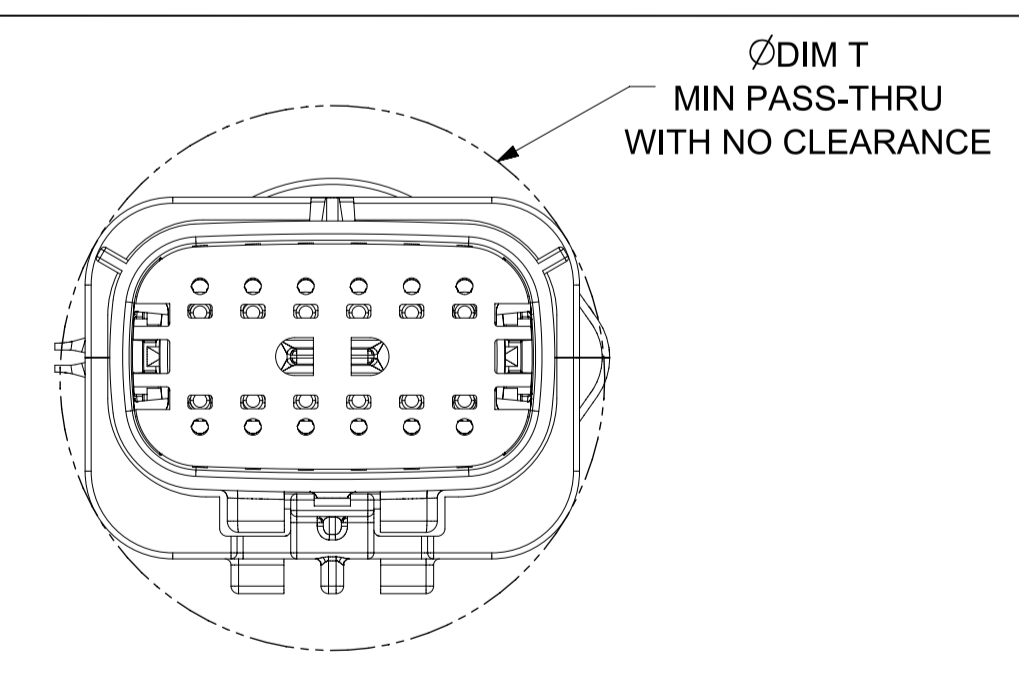
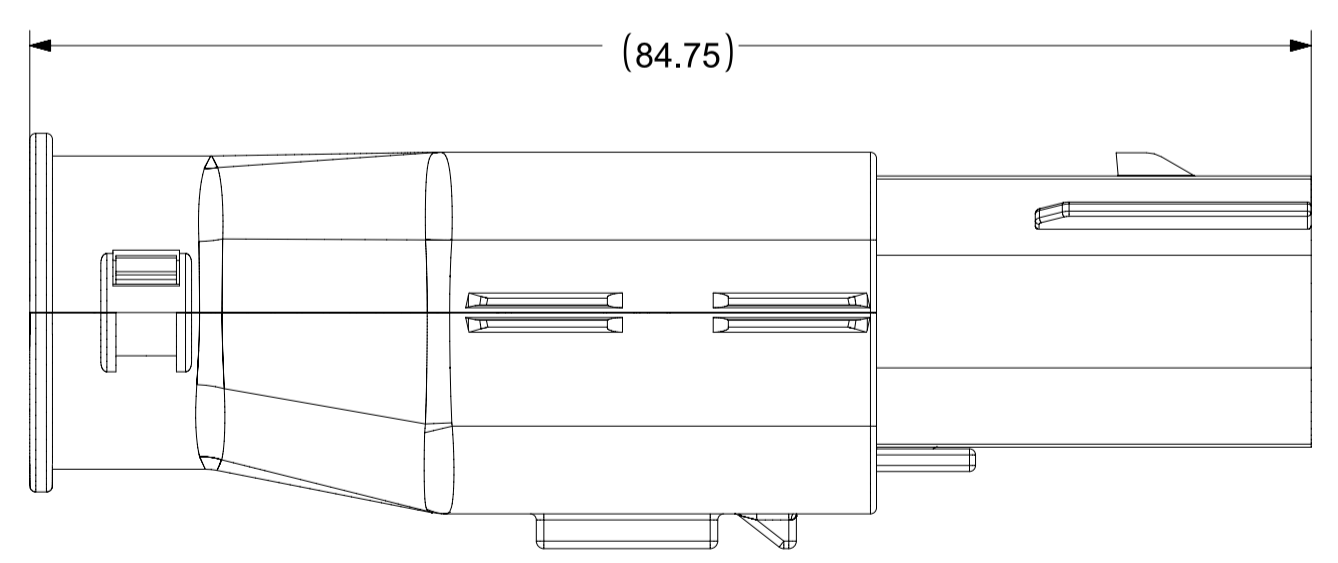
OVERALL MATED SYSTEM WITH BLADE AND RECEPTACLE BACKSHELL



OVERALL MATED SYSTEM WITH BLADE BACKSHELL



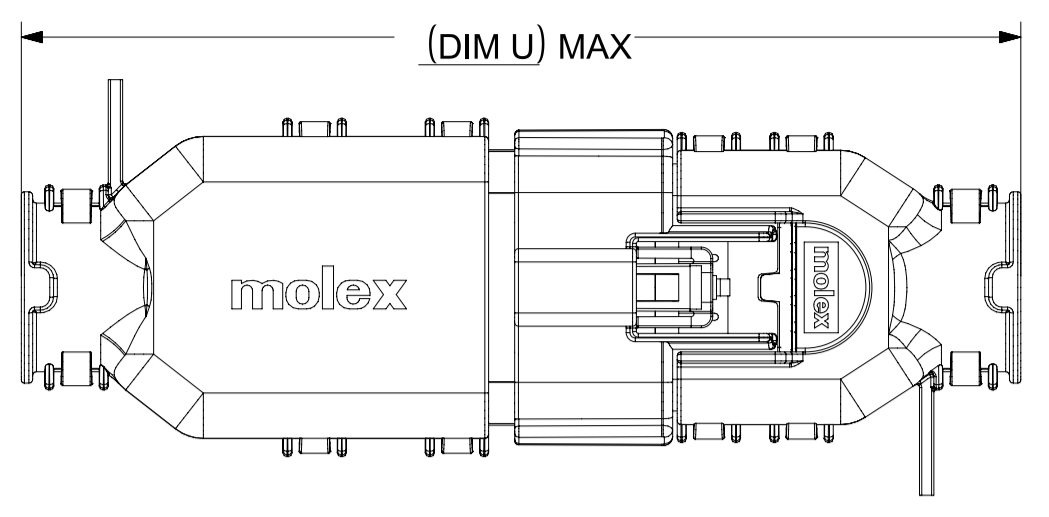
OVERALL MATED SYSTEM WITH RECEPTACLE BACKSHELL



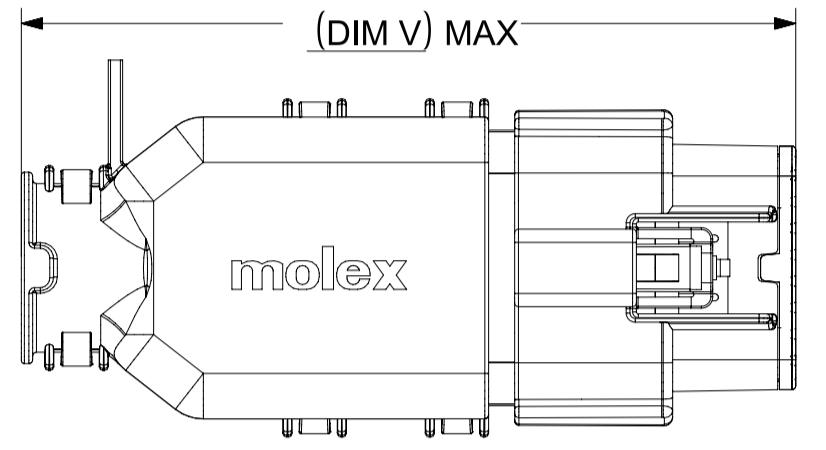
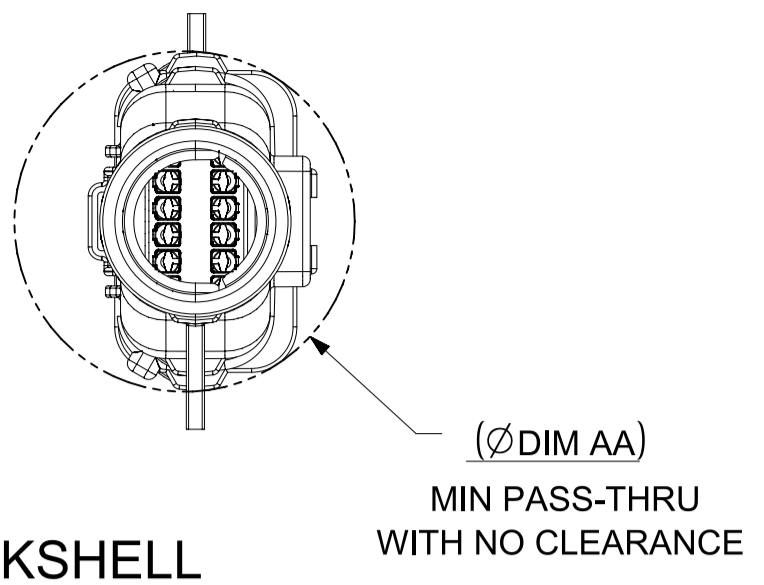
BLADE SEALED ASSEMBLY WITH BLADE BACKSHELL

| | | | | | | | |
|---|---|--|-------------------|-------------------|-------------------------|----------------------|---------------------------------------|
| FUNCTIONAL SYMBOLS $\frac{E}{A} = 0$ $\frac{E}{C} = 0$ $\frac{E}{P} = 0$ DIVISIONAL SYMBOLS | THIS DRAWING CONTAINS INFORMATION THAT IS PROPRIETARY TO MOLEX ELECTRONIC TECHNOLOGIES, LLC AND SHOULD NOT BE USED WITHOUT WRITTEN PERMISSION | DIMENSION UNITS: mm | SCALE: 2:1 | CURRENT REV DESC: | | | |
| | GENERAL TOLERANCES (UNLESS SPECIFIED) | STATUS: Production | | | 2023-09-26 | | |
| | ANGULAR TOL ± 1' | DRWN: Yann Chen | | | 2023-09-26 | | |
| | 4 PLACES ± | CHK'D: Yu Chao Fu | | | 2023-09-27 | | |
| 3 PLACES ± | APPR: Elvis Song | | | 2023-09-27 | | | |
| 2 PLACES ± 0.100 | DRAFT WHERE APPLICABLE MUST REMAIN WITHIN DIMENSIONS | THIRD ANGLE PROJECTION | | | DRAWING: A1-SIZE | SERIES: 33482 | DOCUMENT NUMBER: SD-33482-0001 |
| 1 PLACE ± 0.20 | | MATERIAL NUMBER: GENERAL MARKET | | | DOC TYPE: PSD | DOC PART: 001 | REVISION: E3 |
| 0 PLACES ± | SHEET NUMBER: 10 OF 11 | | | | | | |

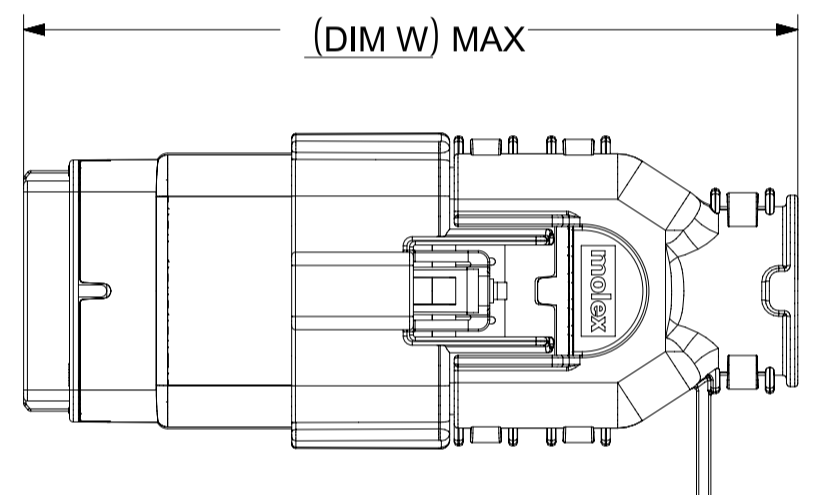
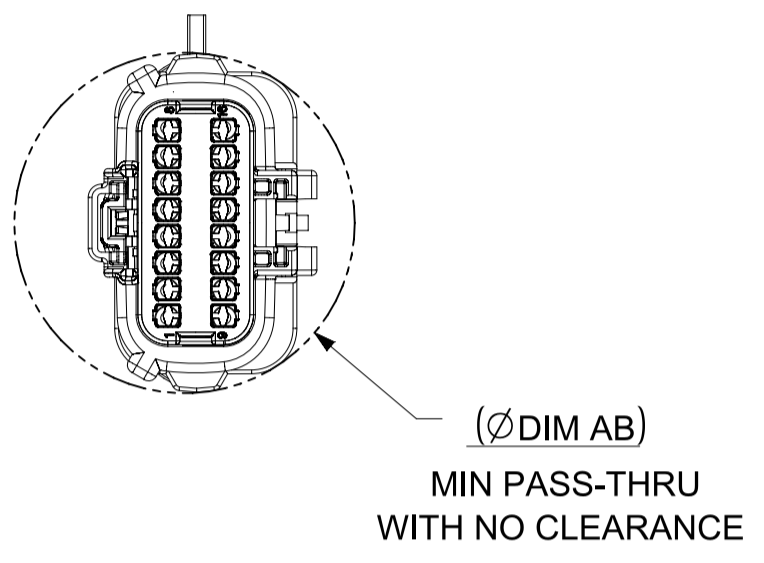
SHEET DESCRIPTION
MOLEX BACKSHELL CONFIGURATIONS



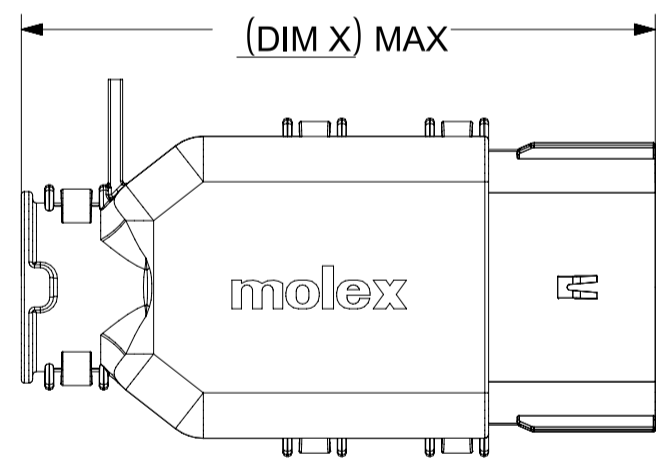
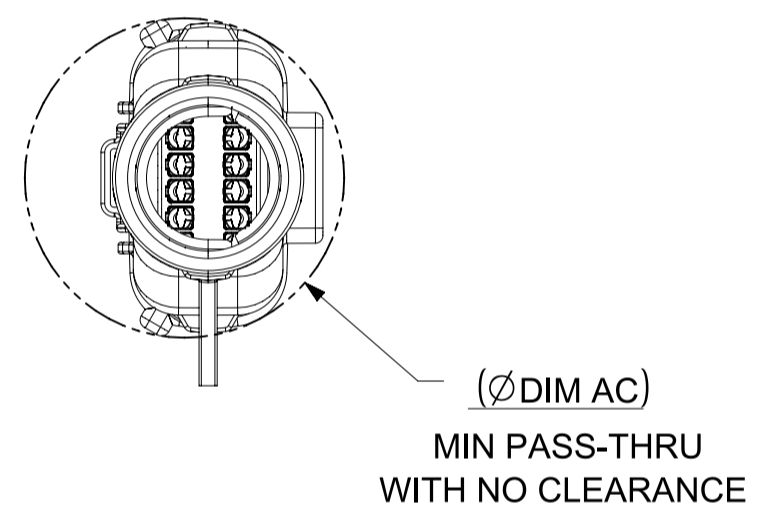
OVERALL MATED SYSTEM WITH BLADE AND RECEPTACLE BACKSHELL



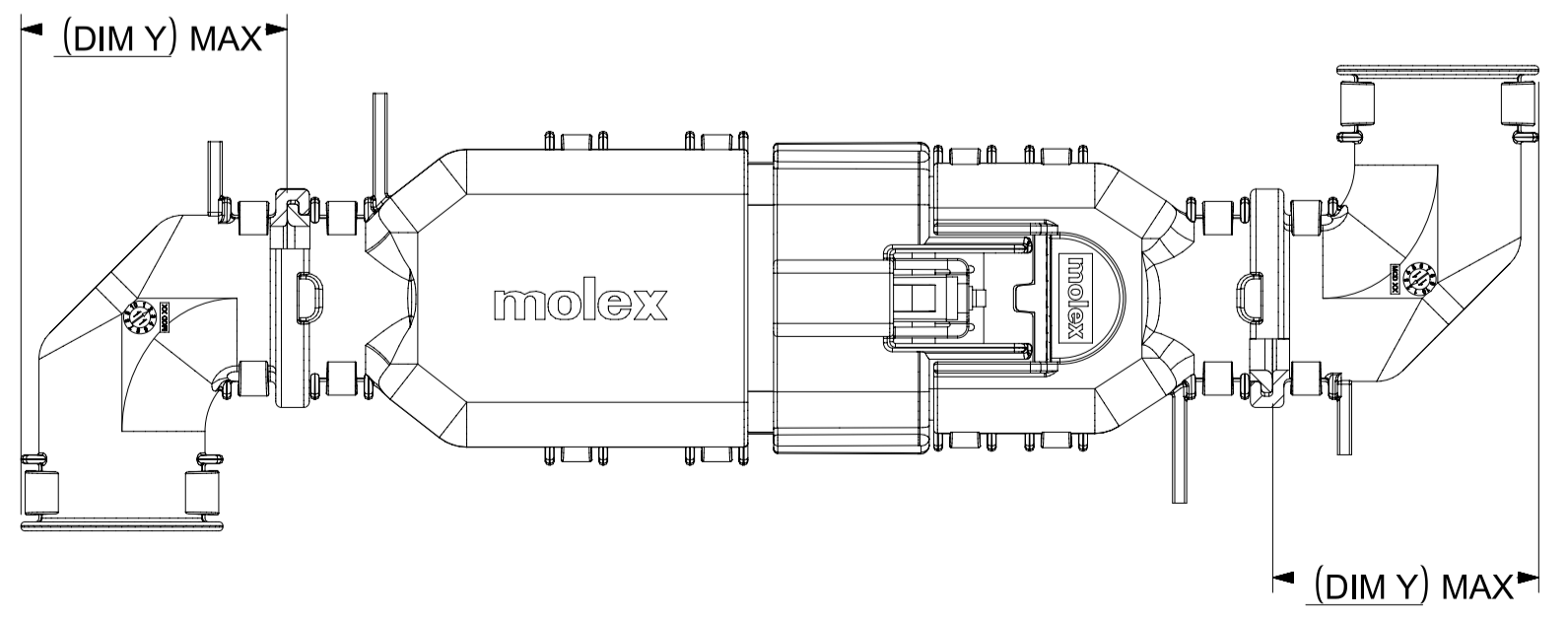
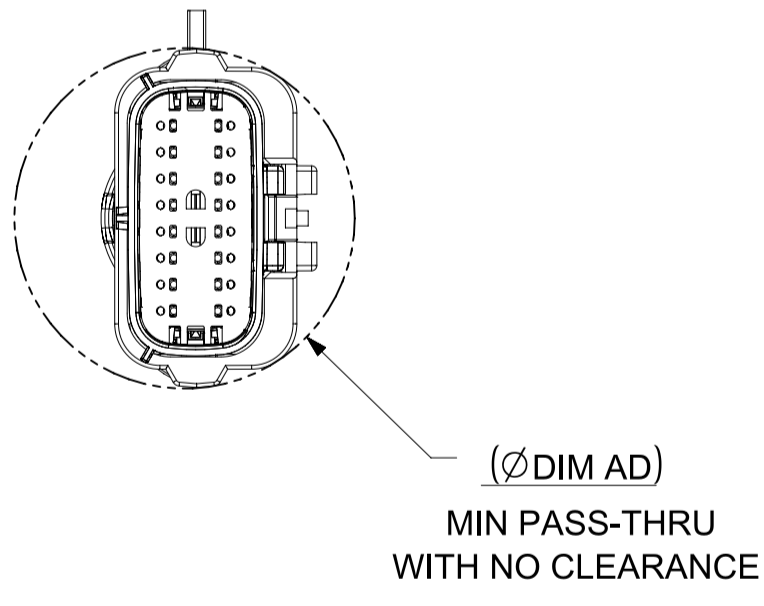
OVERALL MATED SYSTEM WITH BLADE BACKSHELL



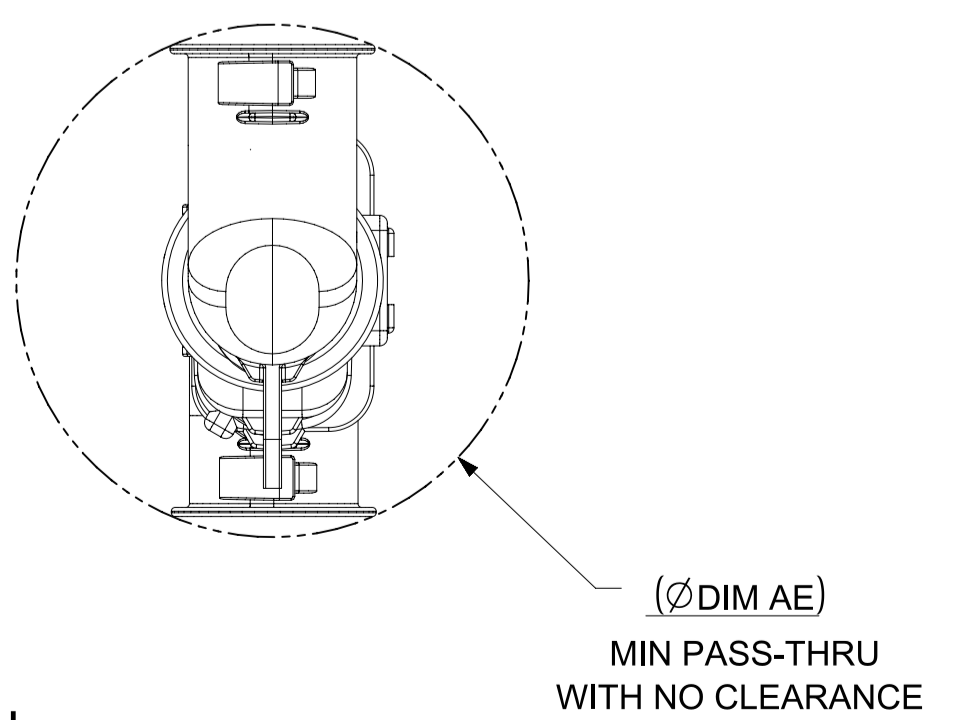
OVERALL MATED SYSTEM WITH RECEPTACLE BACKSHELL



BLADE SEALED ASSEMBLY WITH BLADE BACKSHELL



ADD THE VALUE OF 'Y' TO THE TOTAL DIMENSION WHENEVER ADAPTOR IS USED



CHARTED DIMENSIONS

| CKT | BLADE CONFIGURATION | RECEPTACLE CONFIGURATION | DIMENSIONS | | | | | | | | | |
|------|---------------------|--------------------------|------------|--------|--------|-------|-------|-------|-------|-------|-------|-------|
| | | | U | V | W | X | Y | AA | AB | AC | AD | AE |
| 2X4 | STANDARD | STANDARD | 115.24 | 94.36 | 93.93 | 75.62 | 32.10 | 32.93 | 32.54 | 32.85 | 31.76 | 56.81 |
| 2X8 | STANDARD | STANDARD | 132.49 | 102.81 | 102.73 | 84.07 | 36.10 | 45.44 | 45.44 | 42.65 | 45.44 | 68.18 |
| 2X10 | STANDARD | STANDARD | 132.49 | 102.81 | 102.73 | 84.07 | 36.10 | 45.44 | 45.44 | 42.65 | 45.44 | 68.18 |

| | | | | | | | | | |
|---|---|-----------------|---------------------------------------|--|--|-----------------|-----|----------|----------|
| FUNCTIONAL SYMBOLS $\frac{F}{A} = 0$ $\frac{F}{C} = 0$ $\frac{F}{P} = 0$ DIVISIONAL SYMBOLS | THIS DRAWING CONTAINS INFORMATION THAT IS PROPRIETARY TO MOLEX ELECTRONIC TECHNOLOGIES, LLC AND SHOULD NOT BE USED WITHOUT WRITTEN PERMISSION | | CURRENT REV DESC: | | | | | | |
| | DIMENSION UNITS | SCALE | GENERAL TOLERANCES (UNLESS SPECIFIED) | | | | | | |
| | mm | 1:1 | ANGULAR TOL ± 1° | | | | | | |
| | DRAFT WHERE APPLICABLE MUST REMAIN WITHIN DIMENSIONS | | THIRD ANGLE PROJECTION | STATUS: Production DRWN: Yann Chen CHK'D: Yu Chao Fu APPR: Elvis Song | | DOCUMENT NUMBER | | DOC TYPE | DOC PART |
| | | A1-SIZE | SERIES | SD-33482-0001 | | PSD | 001 | E3 | |
| | | MATERIAL NUMBER | | CUSTOMER | | SHEET NUMBER | | | |
| | | GENERAL MARKET | | 11 OF 11 | | | | | |

Looking for pricing, stock, or lifecycle information?

Click below to explore more details on WIN SOURCE:

 [View 0334820601 on WIN SOURCE](#)

 [Molex, LLC Information](#)

Optimize Your Supply Chain with WIN SOURCE Solutions

-  Global Sourcing Solution
-  Obsolete Management
-  Cost Control Management
-  Shortage Management
-  Alternative Solution
-  Excess Inventory Management